



V218

PRODUCT CATALOG

LUBRICATION EQUIPMENT

AUTOMOTIVE • PETROLEUM • INDUSTRIAL





SAMOA Group Headquarters

SAMSON Corporation

SAMSON, a North Carolina corporation, is one of the SAMOA Industrial Group of companies. SAMSON produces and markets conventional and custom engineered lubrication equipment and systems and, since 1993, has become a dominant force in the North American markets.

SAMSON is one of 28 companies throughout Europe and America in the SAMOA Group, which since 1958, has emerged as the largest manufacturer in the world of quality lubrication equipment. The Group's worldwide presence is complemented by an extensive distribution network covering more than 100 countries.

SAMSON products require less energy to operate and they are designed for a rugged working environment. SAMSON continues to design and introduce innovative new products into the marketplace.

Take a look and you will discover why many professionals believe that "SAMSON, the best constructed, highest quality, lubrication equipment on the market, combined with 'old fashioned service' is the best value to come along in decades."

SAMSON is committed to offering the best in Customer Service.

Call: 1-800-311-1047 (toll free North America)

Fax: 1-800-699-2693

Email: orders@samsoncorporation.com

for:

- Order entry
- Order status and tracking
- Product applications
- Service support and troubleshooting
- Specification assistance and bill of materials
- Distributor warranty assistance
- Distributor information
- Service center locations
- Sales representative contact information
- Technical guidance
- Literature and instruction manuals
- New product information and availability

or visit www.samsoncorporation.com

TABLE OF CONTENTS



01

OIL PUMPS

AIR OPERATED OIL PUMPS AND KITS

AIR OPERATED OIL PUMPS	6
PUMPMaster 2 - 1:1 RATIO OIL PUMPS	8
PUMPMaster 2 - 1:1 RATIO PUMP OIL PACKAGES	9
PUMPMaster 2 - 3:1 RATIO OIL PUMPS	10
PUMPMaster 2 - 3:1 RATIO PUMP PACKAGES	11
PUMPMaster 4 - 3:1 RATIO OIL PUMPS	14
PUMPMaster 4 - 5:1 RATIO OIL PUMPS	15
PUMPMaster 4 - 3:1 AND 5:1 RATIO PUMP PACKAGES	16
PUMPMaster 35 - 5:1 RATIO OIL PUMPS	17
PUMPMaster 35 - 8:1 RATIO OIL PUMPS	18
PUMPMaster 35 - 5:1 AND 8:1 RATIO PUMP PACKAGES	19
PUMPMaster 45 - 3:1 RATIO OIL PUMPS	20
PUMPMaster 45 - 6:1 RATIO OIL PUMPS	21
PUMPMaster 45 - 10:1 RATIO OIL PUMPS	22
PUMPMaster 60 - 6:1 RATIO OIL PUMPS	23
PUMPMaster 60 - 12:1 RATIO OIL PUMPS	24
OIL PUMP ACCESSORIES	25



02

GREASE PUMPS

AIR OPERATED GREASE PUMPS AND KITS

AIR AIR OPERATED GREASE PUMPS	30
PUMPMaster 3 - 55:1 RATIO GREASE PUMPS	32
PUMPMaster 3 - 55:1 GREASE PUMP PACKAGES	33
PUMPMaster 35 - 60:1 RATIO GREASE PUMPS	34
PUMPMaster 35 - 60:1 GREASE PUMP PACKAGES	35
PUMPMaster 45 - 25:1 RATIO GREASE PUMP	37
PUMPMaster 45 - 40:1 RATIO GREASE PUMPS	38
PUMPMaster 45 - 70:1 RATIO GREASE PUMPS	39
PUMPMaster 60 - 12:1 RATIO GREASE PUMPS	40
PUMPMaster 60 - 80:1 RATIO GREASE PUMPS	41
PUMPMaster 45 AND 60 HEAVY-DUTY PUMP SYSTEMS	42
PUMPMaster 45 AND 60 HEAVY-DUTY PUMP PACKAGES	43
SPECIALTY PUMPMaster 60 GREASE PUMP	45
GREASE PUMP ACCESSORIES	46



03

OTHER FLUID PUMPS

AIR OPERATED PUMPS FOR OTHER SERVICE FLUIDS

INNOVATIVE CENTRAL FLOW TECHNOLOGY	50
DIRECTFLO® AND CLASSICFLO® PUMP COMPARATIVE CHART	51
DIRECTFLO® SERIES	52
DIAPHRAGM PUMPS ACCESSORIES	58
CLASSICFLO® DIAPHRAGM PUMPS	60
ELECTRIC PUMPS FOR SPECIALTY FLUIDS	61
AIR OPERATED SPECIALTY PISTON PUMPS FOR FLUIDS	62



04

HOSE REELS

HOSE REELS

506 SERIES SINGLE ARM ALUMINUM HOSE REELS	65
507 SERIES INDIVIDUALLY ENCLOSED HOSE REELS	66
1400 SERIES DOUBLE PEDESTAL ARM HOSE REELS	67
504 SERIES HEAVY-DUTY DOUBLE PEDESTAL ARM HOSE REELS	68
505 SERIES HEAVY-DUTY DOUBLE PEDESTAL ARM HOSE REELS	69
508 SERIES HEAVY-DUTY LARGE CAPACITY HOSE REELS	70
5085 SERIES HEAVY-DUTY LARGE CAPACITY HOSE REELS	71
506EC ENCLOSED REELS	72
CABLE, LIGHT AND ELECTRIC REELS	74
HOSE REEL ACCESSORIES	75

TABLE OF CONTENTS



05

VALUES AND METERS

FLUID DISPENSE VALVES AND METERS

CONTROL VALVES FOR DISPENSING OIL AND OTHER FLUIDS	78
ELECTRONIC METERED CONTROL VALVES FOR DISPENSING OIL AND OTHER FLUIDS	80
MECHANICAL METERED CONTROL VALVES FOR DISPENSING OIL AND OTHER FLUIDS	82
SPECIAL CONTROL VALVES, METERS AND DISPENSERS	84
DISPENSE VALVE ACCESSORIES	85
HIGH PRESSURE GREASE CONTROL HANDLES AND ACCESSORIES	86
IN-LINE METERS	87



06

BULK PACKAGES

BULK FLUID DISPENSING PACKAGES

BULK FLUID DISPENSING PACKAGES	90
BULK FLUID DISPENSING PACKAGES, 140 GAL	91
BULK FLUID DISPENSING PACKAGES, 230 GAL	92
BULK FLUID DISPENSING PACKAGES, 330 GAL	93
TANK-LESS PUMP AND REEL PACKAGES	94



07

DEF DISPENSING

DEF DISPENSING KITS

LEVER ACTION AND PNEUMATIC PUMP KITS	96
ELECTRIC PUMP KITS	97
PORTABLE AND STATIONARY PACKAGES	98
DEF PUMP ACCESSORIES	99
COUPLERS, FITTINGS AND HOSES	100



08

WASTE OIL

WASTE OIL EQUIPMENT

GRAVITY DRAIN UNITS	102
TRADITIONAL OIL DRAIN UNITS	103
WASTE OIL SUCTION EQUIPMENT, 27 GAL	104
WASTE OIL SUCTION EQUIPMENT, 18 AND 6 GAL	105
WASTE OIL DIPSTICK EVACUATION	106
WASTE FLUID EVACUATION PUMP KITS	107
WASTE OIL EQUIPMENT ACCESSORIES	108



09

LUBRICATION TOOLS

LUBRICATION TOOLS AND ACCESSORIES

LEVER ACTION GREASE GUNS	110
MANUAL HAND HELD GREASE GUNS	111
AIR AND BATTERY OPERATED HAND HELD GREASE GUNS	112
GREASE FITTINGS	113
ACCESSORY ADAPTORS, COUPLERS, GREASE HOSES AND OUTLETS	114
SPECIALTY GREASE AND OIL PUMPS	115
PORTABLE OIL DISPENSERS AND GREASE FILLER PUMPS	116
DRUM PUMPS FOR OIL	117
DRUM PUMPS FOR VARIOUS FLUIDS	118
FUNNELS, MEASURES AND OIL CANS	119



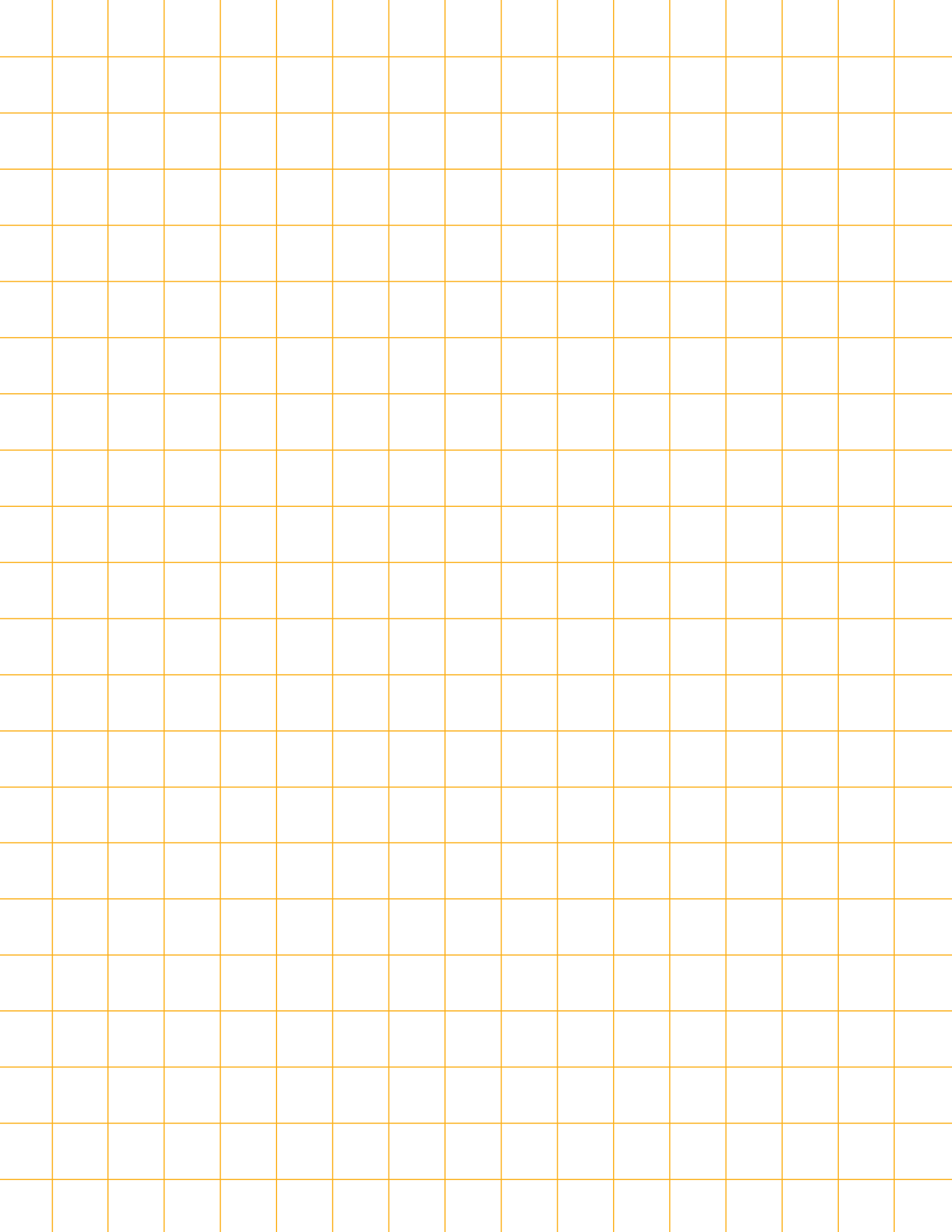
10

INSTALLATION ACCESSORIES

INSTALLATION ACCESSORIES

AIR LINE ACCESSORIES	122
INSTALLATION ACCESSORIES	123
INSTALLATION AND TANK ACCESSORIES	124
LOW, MEDIUM AND HIGH PRESSURE HOSES	125

PART No. INDEX	127
-----------------------	-----



01 AIR OPERATED OIL PUMPS AND KITS

AIR OPERATED OIL PUMPS	6
PUMPMaster 2 - 1:1 RATIO OIL PUMPS	8
PUMPMaster 2 - 1:1 RATIO PUMP OIL PACKAGES	9
PUMPMaster 2 - 3:1 RATIO OIL PUMPS	10
PUMPMaster 2 - 3:1 RATIO PUMP PACKAGES	11
PUMPMaster 4 - 3:1 RATIO OIL PUMPS	14
PUMPMaster 4 - 5:1 RATIO OIL PUMPS	15
PUMPMaster 4 - 3:1 AND 5:1 RATIO PUMP PACKAGES	16
PUMPMaster 35 - 5:1 RATIO OIL PUMPS	17
PUMPMaster 35 - 8:1 RATIO OIL PUMPS	18
PUMPMaster 35 - 5:1 AND 8:1 RATIO PUMP PACKAGES	19
PUMPMaster 45 - 3:1 RATIO OIL PUMP	20
PUMPMaster 45 - 6:1 RATIO OIL PUMP	21
PUMPMaster 45 - 10:1 RATIO OIL PUMPS	22
PUMPMaster 60 - 6:1 RATIO OIL PUMP	23
PUMPMaster 60 - 12:1 RATIO OIL PUMP	24
OIL PUMP ACCESSORIES	25



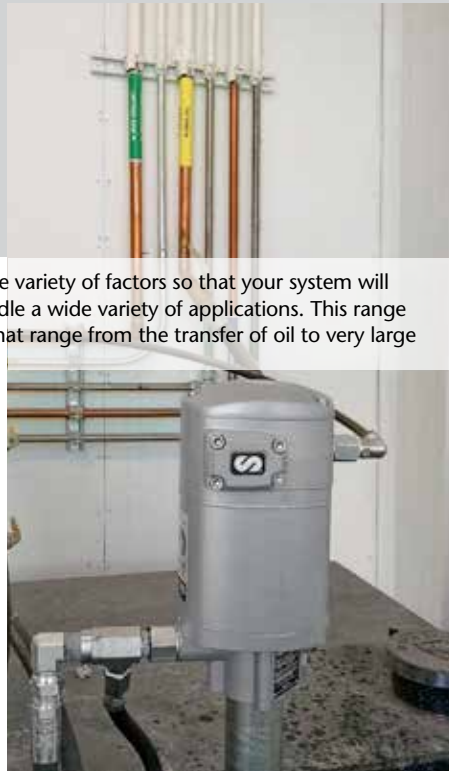
AIR OPERATED OIL PUMPS

It all starts with the pump; the heart of the system. The choice of a pump requires considering a wide variety of factors so that your system will provide years of dependable service. SAMSON has engineered a broad offering of oil pumps to handle a wide variety of applications. This range of pumps will fit original containers of different sizes and bulk storage tanks; covering applications that range from the transfer of oil to very large centralized systems.

PRESSURE AND VOLUME

An important, and often confusing, aspect of selecting a pump is how to determine which pump ratio and what pump size to select. The pump ratio is calculated by dividing the surface area of the air motor piston by the surface area of the fluid piston. The maximum pressure at the pump outlet is determined by multiplying the air inlet pressure by the pump pressure ratio. Restrictions such as the pipe length and diameter, hoses, hose reels, solenoid valves, pulse meters, control handles, and other system components create friction in the system. Sufficient fluid pressure is needed to overcome this friction, in order to get the required volume of oil to each dispense point.

Pump size determines the amount of fluid flowing through the piston pump outlet during each cycle of the pump. Three different sizes of pumps, with the same ratio, will each deliver a different flow rate. It is important to consider a variety of factors (number of dispense points, desired delivery, product dispensed...) in choosing the proper pump size for your system.



PUMP MASTER®

Maximum line length and number of simultaneous dispense points also depends on the line diameter, fluid viscosity and required delivery.



	PUMPMASTER 2 1:1	PUMPMASTER 2 3:1	PUMPMASTER 4 3:1	PUMPMASTER 4 5:1	PUMPMASTER 35 5:1	PUMPMASTER 35 8:1
PUMP DESCRIPTION	Utility Transfer	Utility Medium Pressure	Standard Duty Medium Pressure	Standard Duty Medium Pressure	Heavy-Duty Medium Pressure	Heavy-Duty High Pressure
SIMULTANEOUS OPERATION OUTLETS	1 (no reels)	1	1 to 2	1 to 2	1 to 3	1 to 2
MAX. LINE LENGTH	100' - 30 m	200' - 60 m	200' - 60 m -	500' - 150 m	500' - 150 m	650' - 200 m
APPLICATION	Service shops In-plant oil transfer Agriculture Marine	Auto dealers Service shops Fast lube centers Agriculture Marine	Auto dealers Service shops Fleet service Fast lube centers In-plant	Auto and truck dealers Fleet service Marine In-plant	Auto and truck dealers Fleet service Mining and construction Lube trucks Railroad and mass transit Marine In-plant	Vehicle maintenance Fleet service Marine Mining and construction Lube truck



PM45 HEAVY-DUTY SERIES

PM60 HEAVY-DUTY SERIES



PUMPMASTER 45 3:1	PUMPMASTER 45 6:1	PUMPMASTER 45 10:1	PUMPMASTER 60 6:1	PUMPMASTER 60 12:1
Heavy-Duty Volume Transfer	Heavy-Duty High Flow	Heavy-Duty Pressure Flow	Heavy-Duty High Delivery	Heavy-Duty High Performance
3 to 4	3 to 4	3 to 4	3 to 4	3 to 4
250' - 75 m	525' - 160 m	800' - 250 m	525' - 160 m	800' - 250 m
Construction equipment Mining equipment Large fleets Railroad and mass transit Marine In-plant oil distribution	Large auto and truck dealers Construction equipment Mining equipment Railroad and mass transit Large fleets Lube trucks Marine In-plant oil distribution	Large auto and truck dealers Construction equipment Mining equipment Railroad and mass transit Large fleets Lube trucks Marine In-plant oil distribution	Very large auto and truck dealers Construction equipment Mining equipment Large fleets Railroad and mass transit Marine In-plant oil distribution	Very large auto and truck dealers Construction equipment Mining equipment Large fleets Railroad and mass transit Marine In-plant oil distribution

PUMPMASTER 2 - 1:1 RATIO OIL PUMPS

200 SERIES

TRANSFER PUMPS

Double acting air operated low pressure pumps for transferring lubricants. Pumps include height adjustable 2" NPTM bung adaptor for tank or drum bung mounting.



FLUIDS HANDLED

- Synthetic and mineral based oil.
- Transmission fluid.
- Hydraulic oil.

MARKETS SERVED

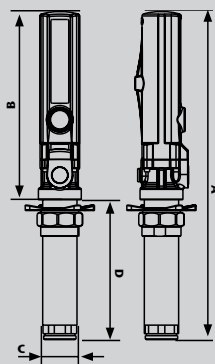
- Service shops.
- In plant oil transfer.
- Agriculture.
- Marine.
- Mining and construction.

MODELS		
PART No.	APPLICATION	WEIGHT
351 120	Universal stub pump with bung adaptor	5.5 lb (2,5 kg)
356 120	16 gal (60 l) keg bung mounted with bung adaptor	10.6 lb (4,8 kg)
352 120	55 gal (205 l) drum bung mounted with bung adaptor	12 lb (5,4 kg)

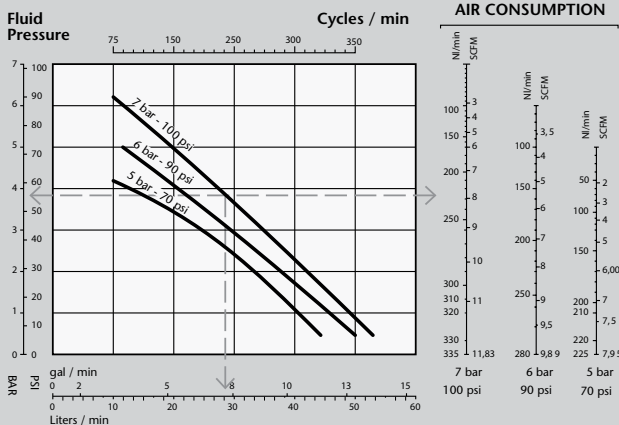
TECHNICAL DATA PRESSURE RATIO 1:1	
Air pressure operating range	20 to 140 psi (1,5 - 10 bar)
Air consumption (1)	5.30 scfm (150 NL/min)
Maximum fluid outlet pressure	140 psi (10 bar)
Air motor diameter	2" (51 mm)
Air motor effective diameter	1 1/2" (35 mm)
Air motor stroke	3" (75 mm)
Delivery at 150 cpm	5.3 US gpm (20 l/min)
Maximum free flow delivery (2)	13.7 US gpm (52 l/min)
Air inlet	1/4" NPTF
Fluid inlet (stub pump only)	1" NPTF
Fluid outlet	3/4" NPTF
Wetted and seal materials	Aluminum / Steel / NBR / Acetal / Polyurethane
Noise level (3)	80 dB
Manual	835 808

DIMENSIONS Inches - (mm)			
PART No.	351 120	356 120	352 120
A	19 3/4" (500)	39 3/4" (1.010)	47 1/4" (1.200)
B	11 1/4" (285)	11 1/4" (285)	11 1/4" (285)
C	2" (52)	2" (52)	2" (52)
D	8 1/2" (215)	28 1/2" (725)	36" (915)

- (1) Air consumption with 90 psi (6 bar) air inlet pressure and 150 cycles per minute.
 (2) Maximum free delivery at 100 psi (7 bar).
 (3) Maximum noise level measured at 3' (1 m) from the pump, 100 psi (7 bar) air pressure and free delivery.



SAE 30 - 68 °F (20 °C) CAPACITY CURVE



PUMPMASTER 2 - 1:1 RATIO PUMP OIL PACKAGES



PUMPMASTER 2 - 1:1 PUMP PACKAGES

Part No. 230

PumpMaster 2 1:1 ratio pump package (stub).

Includes the following:

Part No. 351 120 PumpMaster 2 - 1:1 ratio pump with bung bushing.

Part No. 904 Connecting hose hook-up kit.

Part No. 226

PumpMaster 2 1:1 ratio pump package for 16 gal bushing.

Includes the following:

Part No. 356 120 PumpMaster 2 - 1:1 ratio pump with bung bushing.

Part No. 904 Connecting hose hook-up kit.

Part No. 228

PumpMaster 2 1:1 pump package for 55 gal drums.

Includes the following:

Part No. 352 120 PumpMaster 2 - 1:1 ratio pump with bung bushing.

Part No. 904 Connecting hose hook-up kit

228



PUMPMASTER 2, 1:1 TRANSFER PUMP DRUM PACKAGES

Part No. 454 002

PUMPMASTER 2 1:1 ratio high flow transfer package for 55 gal drums.

Includes the following:

Part No. 352 120: PumpMaster 2 - 1:1 ratio pump with bung bushing.

Part No. 858: 10' x 3/4" delivery hose.

Part No. 361 000: Low pressure, high delivery nozzle.

Part No. 950 321: Air needle valve.

Part No. 955: Mini air filter regulator combo.

Part No. 2051 (x2): Pump to air valve and air valve to air filter regulator combo adaptor.

Part No. 454 003

PUMPMASTER 2 1:1 ratio transfer package for 55 gal drums.

Includes the following:

Part No. 352 120: PumpMaster 2 - 1:1 ratio pump with bung bushing.

Part No. 847: 10' x 1/2" delivery hose.

Part No. 363 114: Non-metered oil delivery handle with non drip tip.

Part No. 950 321: Air needle valve.

Part No. 955: Mini air filter regulator combo.

Part No. 2051 (x2): Pump to air valve and air valve to air filter regulator combo adaptor.

Part No. 2065: Pump to hose adaptor.

Part No. 454 010

PUMPMASTER 2 1:1 ratio metered transfer package for 55 gal drums.

Includes the following:

Part No. 352 120: PumpMaster 2 - 1:1 ratio pump with bung bushing.

Part No. 847: 10' x 1/2" delivery hose.

Part No. 365 534: Oil metered handle with non drip tip.

Part No. 950 321: Air needle valve.

Part No. 955: Mini air filter regulator combo.

Part No. 2051 (x2): Pump to air valve and air valve to air filter regulator combo adaptor.

Part No. 2065: Pump to hose adaptor.



454 002

454 010

SPIGOT PUMP WITH DRIP TRAY

Part No. 454 100

Spigot pump complete unit (fits 55 gal drum) includes PumpMaster 2 - 2:1 ratio pump, bung bushing adaptor, drain shelf with filter screen and curved outlet valve with spring loaded spigot valve.

Shelf holds container, catches spills, drains back through filtered bushing into drum.

Completely packaged as one SKU.



454 100

Recommended options:

Part No. 955 Air filter and regulator combo, 1/4" NPTF. Part No. 950 321 Air needle valve.

PUMPMASTER 2 - 3:1 RATIO OIL PUMPS

200 SERIES

MEDIUM PRESSURE UTILITY PUMPS

Double acting air operated medium pressure pumps for dispensing lubricants from mobile units, oil distribution packages and small systems. Pumps include height adjustable 2" NPTM bung adaptor for tank or drum bung mounting. Built in pressure relief port for optional (PN 609 007) pressure relief valve.



FLUIDS HANDLED

- Synthetic and mineral based oil.
- Hydraulic oil.
- Gear lube.
- Transmission fluid.

MARKETS SERVED

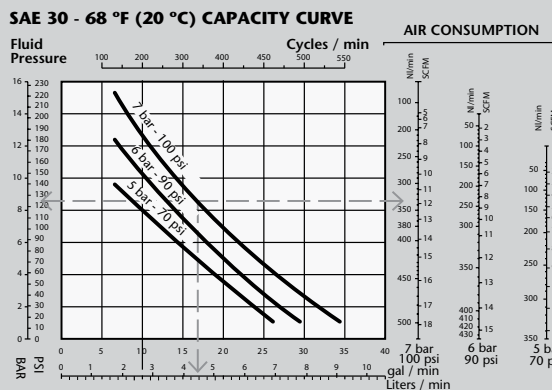
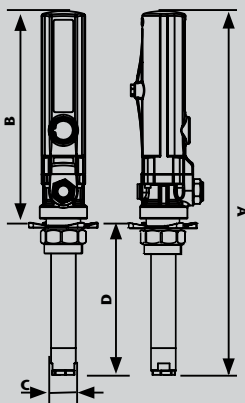
- Auto dealers.
- Service shops.
- Fast lube centers.
- Agriculture.
- Marine.
- Mining and construction.

MODELS		
PART No.	APPLICATION	WEIGHT
353 120	Universal stub pump with bung adaptor	4.4 lb (2 kg)
358 120	16 gal (60 l) keg bung mounted with bung adaptor	6.6 lb (3 kg)
354 120	55 gal (205 l) drum bung mounted with bung adaptor	7.7 lb (3,5 kg)
213	275/500 tank (48") with bung adaptor	8.8 lb (5 kg)
260	60" tank with bung adaptor	9.9 lb (4,5 kg)

TECHNICAL DATA PRESSURE RATIO 3:1	
Air pressure operating range	20 to 140 psi (1,5 - 10 bar)
Air consumption (1)	6.4 scfm (180 NL/min)
Maximum fluid outlet pressure	420 psi (30 bar)
Air motor diameter	2" (51 mm)
Air motor effective diameter	1 1/2" (35 mm)
Air motor stroke	3" (75 mm)
Delivery at 200 cpm	2.7 US gpm (10 l/min)
Maximum free flow delivery (2)	9.3 US gpm (35 l/min)
Air inlet	1/4" NPTF
Fluid inlet (stub pump only)	3/4" NPTF
Fluid outlet	1/2" NPTF
Wetted and seal materials	Aluminum / Steel / NBR / PTFE
Noise level (3)	80 dB
Manual	835 809

DIMENSIONS Inches - (mm)			
PART No.	353 120	358 120	354 120
A	19 1/2" (495)	39" (995)	47" (1.200)
B	11 1/2" (295)	11 1/2" (295)	11 1/2" (295)
C	1 1/4" (34)	1 1/4" (34)	1 1/4" (34)
D	8" (200)	27 1/2" (700)	35 1/2" (905)
PART No.	213	260	
A	59 1/2" (1.510)	71 1/2" (1.815)	
B	11 1/2" (295)	11 1/2" (295)	
C	1 1/4" (34)	1 1/4" (34)	
D	48" (1.215)	60" (1.520)	

- (1) Air consumption with 90 psi (6 bar) air inlet pressure and 200 cycles per minute.
 (2) Maximum free delivery at 100 psi (7 bar).
 (3) Maximum noise level measured at 3' (1 m) from the pump, 100 psi (7 bar) air pressure and free delivery.



PUMPMaster 2 - 3:1 RATIO PUMP PACKAGES



PUMPMaster 2 - 3:1 PRESSURE RATIO PUMP, 16 GAL KEG SYSTEMS FOR GEAR LUBE, MOTOR OIL, ATF AND OTHER FLUIDS

Air operated 3:1 pressure ratio pump packages. The pump is designed to fit through the 2" bung opening on oil drums or to be mounted on a lid for open drums. The pump includes a height adjustable bung adaptor.

Part No. 202

PumpMaster 2 system for 16 gal bung type keg.

Includes the following:

Part No. 358 120: PumpMaster 2 - 3:1 ratio pump with 2" bung bushing.

Part No. 904: Connecting hose hook up kit.

Part No. 204

PumpMaster 2 system for 16 gal open top keg.

Includes the following:

Part No. 358 120: PumpMaster 2 - 3:1 ratio pump with cover mounting adaptor.

Part No. 1936: Deluxe drum cover for 16 gal drum.

Part No. 904: Connecting hose hook up kit.



PUMPMaster 2 - 3:1 PUMP SYSTEMS, DESIGNED FOR 55 GAL DRUMS AND BULK OIL SYSTEMS

Part No. 210

PumpMaster 2 - 3:1 ratio stub pump system.

Includes the following:

Part No. 353 120: Universal PumpMaster 2 - 3:1 stub pump with bung bushing.

Part No. 904: Connecting hose hook up kit.

Part No. 222

PumpMaster 2 - 3:1 ratio pump system for 55 gal drum or standard 36", 250 gal work bench type tank.

Includes the following:

Part No. 354 120: PumpMaster 2 - 3:1 pump with bung bushing.

Part No. 904: Connecting hose hook up kit.

Part No. 212

PumpMaster 2 - 3:1 ratio pump system for 44" to 48", 275 gal oval or 500 gal round tank.

Includes the following:

Part No. 213: PumpMaster 2 - 3:1 pump with bung bushing.

Part No. 904: Connecting hose hook up kit.

Part No. 266

PumpMaster 2 - 3:1 ratio pump system for 60" tanks with connection kit.

Includes the following:

Part No. 260: PumpMaster 2 - 3:1 ratio pump with bung bushing.

Part No. 904: Connecting hose hook up kit.



Recommended options:

Part No. 955 Air filter and regulator combo, 1/4" NPTF.

Part No. 609 007 Pressure relief valve.



PUMPMaster 2 - 3:1 RATIO PUMP PORTABLE PACKAGES

PUMPMaster 2 - 3:1 RATIO PUMP PORTABLE PACKAGES FOR 16 GAL KEGS

All packages include PumpMaster 2 - 3:1 ratio pump part no. 358 120 with the accessories listed.

203



207A



PART No.	203	203A	207	207A
PUMPMaster 2 - 3:1 PUMP	358 120	358 120	358 120	358 120
DRUM COVER	1936	1936	-	-
15' DELIVERY HOSE	848	848	848	848
METERED HANDLE	365 537	365 537	365 537	365 537
1/4" QUICK AIR COUPLER	930F04	930F04	930F04	930F04
1/4" QUICK AIR NIPPLE	933M04	933M04	933M04	933M04
1/4" MINI FILTER REGULATOR COMBO	955 (not shown)	955 (not shown)	955 (not shown)	955 (not shown)
BAND TYPE DOLLY	1304	-	1304	-
TWO WHEEL DRUM TRUCK	-	1301	-	-
FOUR WHEEL DRUM TRUCK	-	-	-	1303
PUMP TO HOSE CONNECTOR, 3/4" NPT (M) x 1/2" NPT (F)	2065	2065	2065	2065
PUMP TO FR CONNECTOR 1/4" NPT (M) BOTH ENDS	2051	2051	2051	2051

PUMPMaster 2 - 3:1 RATIO PUMP PORTABLE PACKAGES FOR 55 GAL DRUMS

All packages include PumpMaster 2 - 3:1 ratio pump part no. 354 120 with the accessories listed.

209B



209



PART No.	209	209A	209B	209C	211 001	454 111	454 112
PUMPMaster 2 - 3:1 PUMP	354 120	354 120	354 120	354 120	354 120	354 120	354 120
15' DELIVERY HOSE	848	848	848	848	-	-	-
30' x 1/2" 1400 SERIES HOSE REEL	-	-	-	-	1428	1428	1428
METERED HANDLE	365 537	365 537	365 537	365 537	365 537	-	2199*
OIL HANDLE (NO METER)	-	-	-	-	-	363 117	-
1/4" QUICK AIR COUPLER	930F04	930F04	930F04	930F04	930F04	930F04	930F04
1/4" QUICK AIR NIPPLE	933M04	933M04	933M04	933M04	933M04	933M04	933M04
1/4" MINI FILTER REGULATOR COMBO	955 (not shown)	955 (not shown)	955 (not shown)	955 (not shown)	955 (not shown)	955 (not shown)	955 (not shown)
X-FRAME DOLLY	-	1306	-	-	-	-	-
STANDARD DUTY PLATFORM TRUCK	-	-	1307	-	-	-	-
HEAVY DUTY PLATFORM TRUCK	-	-	-	1305	1305	1305	1305
REEL BRACKET	-	-	-	-	1399	1399	1399
5' REEL TO PUMP CONNECTION HOSE	-	-	-	-	846	846	846
PUMP TO HOSE CONNECTOR, 3/4" NPT (M) x 1/2" NPT (F)	2065	2065	2065	2065	2065	2065	2065
PUMP TO FR CONNECTOR 1/4" NPT (M) BOTH ENDS	2051	2051	2051	2051	2051	2051	2051

211 001



* Preset meter handle.

PUMPMASTER 2 - 3:1 RATIO PUMP PACKAGES FOR TOTES



PUMPMASTER 2 - 3:1 RATIO PUMP PACKAGES FOR TOTES, 275 / 330 GAL

PART No.	TOP OF TOTE MOUNTING		SIDE OF TOTE MOUNTING		
	454 694	454 694A	454 699	454 699A	454 150
PUMPMASTER 2 - 3:1 PUMP	353 120	353 120	353 120	353 120	353 120
PUMP BRACKET	900	900	900	900	900
TOTE BRACKET	360 106	360 106	360 107	360 107	360 108
SUCTION HOSE (1)	745 306	745 306	745 304	745 304	745 304
METERED HANDLE	365 537	365 537	365 537	365 537	365 537
HOSE REEL	30' x 1/2" 506 202	50' x 1/2" 504 250	30' x 1/2" 506 202	50' x 1/2" 504 250	-
REEL PIVOTING BRACKET	-	-	1388	1388	-
DELIVERY HOSE	-	-	-	-	20' x 1/2" (849)
1/4" QUICK AIR COUPLER	930F04	930F04	930F04	930F04	930F04
1/4" QUICK AIR NIPPLE	933M04	933M04	933M04	933M04	933M04
1/4" MINI FILTER REGULATOR COMBO	955 (not shown)	955 (not shown)	955 (not shown)	955 (not shown)	955 (not shown)
PUMP TO HOSE CONNECTOR, 3/4" NPT (M) x 1/2" NPT (F)	2065	2065	2065	2065	2065
PUMP TO FR CONNECTOR 1/4" NPT (M) BOTH ENDS	2051	2051	2051	2051	2051

(1) Includes adaptor for connecting to the tote lower outlet.
Pump packages do not include the tote.



454 694



454 699



454 150

PUMPMASTER 4 - 3:1 RATIO OIL PUMPS

400 SERIES

STANDARD-DUTY MEDIUM PRESSURE PUMPS

Double acting air operated medium pressure high volume pumps for dispensing lubricants in medium size installations. Pumps include height adjustable 2" NPTM bung adaptor for drum and tank bung mounting. Built in port for optional (PN 609 007) pressure relief valve.



FLUIDS HANDLED

- Synthetic and mineral based oil.
- Gear lube.
- Hydraulic oil.
- Transmission fluid.

MARKETS SERVED

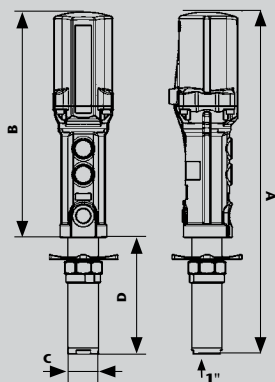
- Vehicle maintenance centers.
- Auto dealers.
- Fleet service.
- Fast lube centers.
- In-plant.

MODELS		
PART No.	APPLICATION	WEIGHT
340 120	Universal stub pump with bung adaptor	13 lb (5,7 kg)
340 520	16 gal keg bung mounted with bung adaptor	15.5 lb (7 kg)
341 120	55 gal (205 l) drum bung mounted with bung adaptor	17 lb (7,7 kg)
433	275/500 gal tank (48") with bung adaptor	19 lb (8,6 kg)

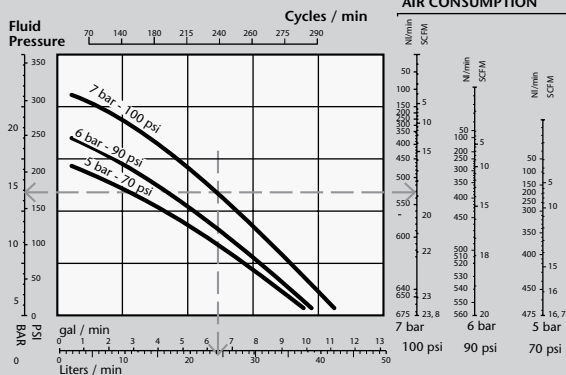
TECHNICAL DATA PRESSURE RATIO 3:1	
Air pressure operating range	20 to 140 psi (1,5 - 10 bar)
Air consumption (1)	10 scfm (285 NL/min)
Maximum fluid outlet pressure	420 psi (30 bar)
Air motor diameter	3 1/2" (88 mm)
Air motor effective diameter	2 1/2" (60 mm)
Air motor stroke	4" (100 mm)
Delivery at 85 cpm	2.7 US gpm (10 l/min)
Maximum free flow delivery (2)	11.1 US gpm (42 l/min)
Air inlet	3/8" NPTF
Fluid inlet (stub pump only)	1" NPTF
Fluid outlet	3/4" NPTF
Wetted and seal materials	Aluminum / Steel / Polyurethane / NBR / PTFE
Noise level (3)	80 dB
Manual	834 810

DIMENSIONS Inches - (mm)			
PART No.	340 120	340 520	341 120
A	23 1/4" (585)	42 3/4" (1.085)	51" (1.295)
B	15 1/4" (385)	15 1/4" (385)	15 1/4" (385)
C	2" (52)	25" (52)	2" (52)
D	8" (200)	27 1/2" (700)	35 3/4" (910)
PART No.	433		
A	63 1/4" (1.600)		
B	15 1/4" (385)		
C	2" (52)		
D	48" (1.215)		

- (1) Air consumption with 90 psi (6 bar) air inlet pressure and 85 cycles per minute.
 (2) Maximum free delivery at 100 psi (7 bar).
 (3) Maximum noise level measured at 3' (1 m) from the pump, 100 psi (7 bar) air pressure and free delivery.



SAE 30 - 68 °F (20 °C) CAPACITY CURVE



PUMPMASTER 4 - 5:1 RATIO OIL PUMPS



STANDARD-DUTY MEDIUM PRESSURE PUMPS

400 SERIES

Double acting air operated medium pressure pumps for dispensing lubricants in medium to large size installations, that include multiple outlets with simultaneous operation. Pumps include height adjustable bung adaptor 2" NPTM for drum and tank bung mounting. Built in port for optional (PN 609 007) pressure relief valve.

FLUIDS HANDLED

- Synthetic and mineral based oil.
- Gear lube.
- Hydraulic oil.
- Transmission fluid.

MARKETS SERVED

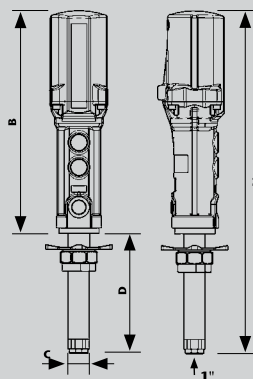
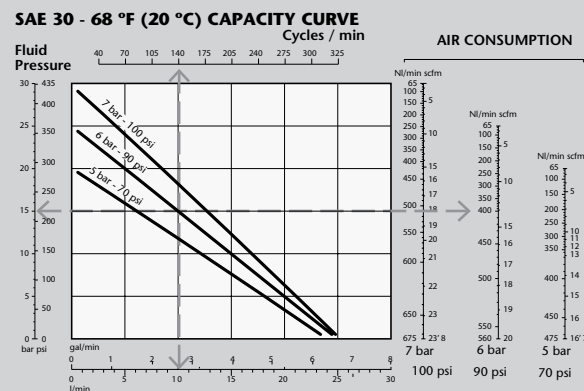
- Auto and truck dealers.
- Fleet service facilities.
- Marine.
- In-plant.



MODELS		
PART No.	APPLICATION	WEIGHT
347 120	Universal stub pump with bung adaptor	12.5 lb (5,6 kg)
347 520	16 gal keg with bung adaptor	15 lb (6,8 kg)
348 120	55 gal (205 l) drum bung mounted with bung adaptor	16.5 lb (7,4 kg)
413	275/500 gal tank (48") with bung adaptor	18.5 kg (8,4 kg)
460	60" tank with bung adaptor	20.5 lb (9,3 kg)

TECHNICAL DATA PRESSURE RATIO 5:1	
Air pressure operating range	20 to 140 psi (1,5 - 10 bar)
Air consumption (1)	14 scfm (400 NL/min)
Maximum fluid outlet pressure	700 psi (50 bar)
Air motor diameter	3 1/2" (88 mm)
Air motor effective diameter	2 1/2" (60 mm)
Air motor stroke	4" (100 mm)
Delivery at 125 cpm	2.7 US gpm (10 l/min)
Maximum free flow delivery (2)	6.6 US gpm (25 l/min)
Air inlet	3/8" NPTF
Fluid inlet (stub pump only)	1" NPTF
Fluid outlet	3/4" NPTF
Wetted and seal materials	Aluminum / Steel / Polyurethane / NBR / PTFE
Noise level (3)	80 dB
Manual	834 811

- (1) Air consumption with 90 psi (6 bar) air inlet pressure and 125 cycles per minute.
 (2) Maximum free delivery at 100 psi (7 bar).
 (3) Maximum noise level measured at 3' (1 m) from the pump, 100 psi (7 bar) air pressure and free delivery.



DIMENSIONS Inches - (mm)			
PART No.	347 120	347 520	348 120
A	26 1/4" (663)	42 3/4" (1.085)	51 1/4" (1.300)
B	15 1/4" (385)	15 1/4" (385)	15 1/4" (385)
C	1 3/4" (42)	1 3/4" (42)	1 3/4" (42)
D	11" (278)	27 1/2" (700)	36" (915)
PART No.	413	460	
A	63 1/4" (1.600)	75 1/4" (1.910)	
B	15 1/4" (385)	15 1/4" (385)	
C	1 3/4" (42)	1 3/4" (42)	
D	48" (1.215)	60" (1.525)	



PUMPMaster 4 - 3:1 AND 5:1 RATIO PUMP PACKAGES

PUMPMaster 4 - 3:1 AND 5:1 RATIO UNIVERSAL STUB PUMP AND BULK TANK PACKAGES



410

Part No. 410

PumpMaster 4 - 5:1 ratio pump system.

Includes the following:

- Part No. 347 120: Universal PumpMaster 4 - 5:1 stub pump with bung bushing.
- Part No. 906: Connecting hose hook up kit.

Part No. 412

PumpMaster 4 - 5:1 ratio pump system for 44" - 48" 275 gal oval or 500 gal round tank.

Includes the following:

- Part No. 413: PumpMaster 4 - 5:1 pump with bung bushing.
- Part No. 906: Connecting hose hook up kit.

Part No. 466

PumpMaster 4 - 5:1 ratio pump system for 60" tanks.

Includes the following:

- Part No. 460: PumpMaster 4 - 5:1 pump with bung bushing.
- Part No. 906: Connecting hose hook up kit.

Part No. 440

PumpMaster 4 - 3:1 ratio pump system.

Includes the following:

- Part No. 340 120: Universal PumpMaster 4 - 3:1 stub pump with bung bushing.
- Part No. 906: Connecting hose hook up kit.

Part No. 442

PumpMaster 4 - 3:1 ratio pump system for 44" - 48" 275 gal oval or 500 gal round tank.

Includes the following:

- Part No. 433: PumpMaster 4 - 3:1 pump with bung bushing.
- Part No. 906: Connecting hose hook up kit.

PUMPMaster 4 - 3:1 AND 5:1 RATIO PUMP PACKAGES FOR DRUMS



422

Pump systems with air operated PumpMaster 4 - 3:1 or 5:1 pressure ratio pump. The pump is designed to fit through the 2" bung open on oil drums and standard 36" 250 gallon work bench style tanks. The pump includes a height adjustable bung adaptor.

Part No. 422

PumpMaster 4 - 5:1 ratio pump system for 55 gal drum or standard 250 gal work bench type tank.

Includes the following:

- Part No. 348 120: PumpMaster 4 - 5:1 pump with bung bushing.
- Part No. 906: Connecting hose hook up kit.

Part No. 452

PumpMaster 4 - 3:1 ratio pump system for 55 gal drum or standard 250 gal work bench type tank.

Includes the following:

- Part No. 341 120: PumpMaster 4 - 3:1 pump with bung bushing.
- Part No. 906: Connecting hose hook up kit.

Recommended options:

- Part No. 957 air filter and regulator combo, 3/8" NPTF.
- Part No. 609 007 pressure relief valve.

PUMPMASTER 35 - 5:1 RATIO OIL PUMPS



HEAVY-DUTY MEDIUM PRESSURE PUMP

PM35 HEAVY-DUTY SERIES

Double acting air operated medium pressure delivery pump for oil distribution applications. Built in port for optional (PN 609 007) pressure relief valve. Bung adaptor.

FLUIDS HANDLED

- Synthetic and mineral based oil.
- Hydraulic oil.
- Gear lube.
- Transmission fluid.

MARKETS SERVED

- Auto and truck dealers.
- Fleet service facilities.
- Mining and construction.
- Lube trucks.
- Railroad and mass transit maintenance.
- Marine.
- In-plant.

MODELS

PART No.	APPLICATION	WEIGHT
535 531	Universal stub pump with bung adaptor	12.4 lb (5.6 kg)
535 581	Universal stub pump	11.7 lb (5.3 kg)
535 511	55 gal (205 l) drum bung mounted with bung adaptor	17.6 lb (8 kg)

TECHNICAL DATA

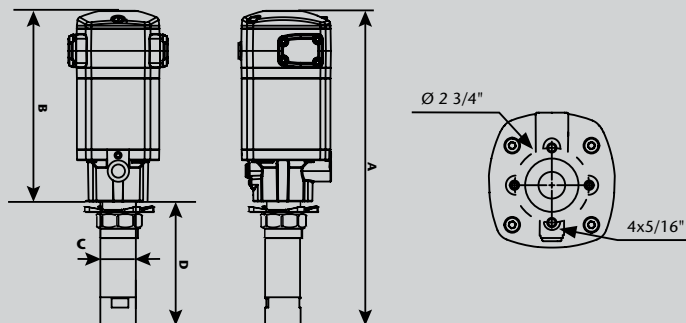
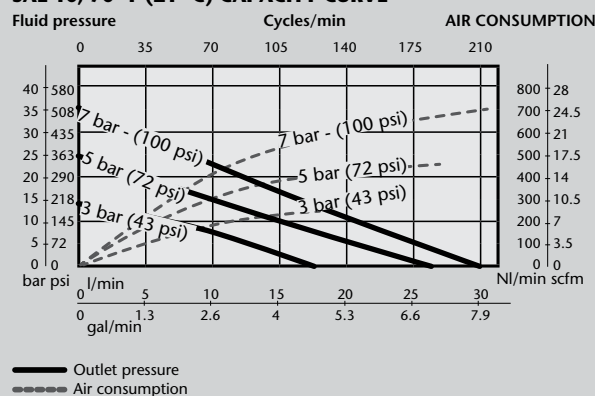
Pump pressure ratio	5:1
Air pressure operating range	30 to 175 psi (2 to 12 bar)
Air consumption (1)	12.4 scfm (350 NI/min)
Maximum fluid outlet pressure	875 psi (60 bar)
Air motor effective diameter	3.15" (80 mm)
Air motor stroke	3.15" (80 mm)
Delivery at 80 cpm	3.2 gal/min (12 l/min)
Maximum free flow delivery	8 gal/min (30 l/min)
Air inlet	3/8" NPT (F)
Fluid inlet	1 1/2" NPT (F)
Fluid outlet	1/2" NPT (F)
Wetted and seal materials	Hard chromed steel / Steel / Polyurethane / NBR / Aluminum
Noise level (2)	80 dB
Manual	853 826



(1) Maximum air consumption with 72 psi (5 bar) air inlet pressure and 80 cpm.

(2) Maximum noise level measured at 3' (1 m) from the pump, 100 psi (7 bar) air pressure and free delivery.

SAE 10, 70 °F (21 °C) CAPACITY CURVE



DIMENSIONS Inches - (mm)

PART No.	535 531	535 581	535 511
A	18 1/2" (469)	18 1/2" (469)	47" (1,194)
B	10 1/2" (269)	10 1/2" (269)	10 1/2" (269)
C	2" (50)	2" (50)	2" (50)
D	8" (200)	8" (200)	36 1/2" (925)



PUMPMASTER 35 - 8:1 RATIO OIL PUMP

PM35 HEAVY-DUTY SERIES

HEAVY-DUTY HIGH PRESSURE PUMP

Double acting air operated high pressure and reliable delivery pump for oil distribution applications. Built in port for optional (PN 609 008) pressure relief valve. Cast iron pump body for high pressure operation.



FLUIDS HANDLED

- Synthetic and mineral based oil.
- Hydraulic oil.
- Gear lube.
- Transmission fluid.
- Corrosion protection fluids.

MARKETS SERVED

- Vehicle maintenance centers.
- Fleet service.
- Mining and construction.
- Lube trucks.
- Railroad and mass transit maintenance.
- Marine.
- In-plant.

MODELS

PART No.	APPLICATION	WEIGHT
535 831	Universal stub pump with bung adaptor	15 lb (6.8 kg)
535 881	Universal stub pump	14 lb (6.4 kg)
535 811	55 gal (205 l) drum bung mounted with bung adaptor	18.3 lb (8.3 kg)

TECHNICAL DATA

Pump pressure ratio	8:1
Air pressure operating range	30 to 175 psi (2 to 12 bar)
Air consumption (1)	12.4 scfm (350 NI/min)
Maximum fluid outlet pressure	1,400 psi (96 bar)
Air motor effective diameter	3.15" (80 mm)
Air motor stroke	3.15" (80 mm)
Delivery at 80 cpm	1.9 gal/min (7 l/min)
Maximum free flow delivery	4.5 gal/min (17 l/min)
Air inlet	3/8" NPT (F)
Fluid inlet	1" NPT (F)
Fluid outlet	1/2" NPT (F)
Wetted and seal materials	Cast iron / Hard chromed steel / Steel / Polyurethane / NBR
Noise level (2)	80 dB
Manual	853 829

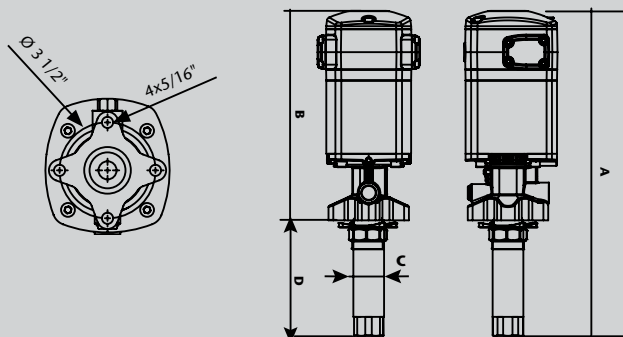
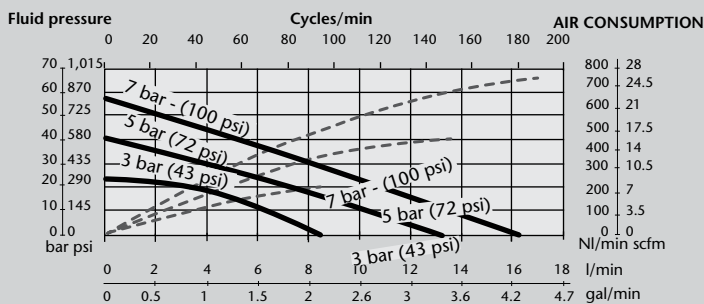
DIMENSIONS Inches - (mm)

PART No.	535 831	535 881	535 811
A	19 1/4" (487)	19 1/4" (487)	47 3/4" (1,212)
B	11 1/4" (287)	11 1/4" (287)	11 1/4" (287)
C	1 2/3" (42)	1 2/3" (42)	1 2/3" (42)
D	8" (200)	8" (200)	36 1/2" (925)

(1) Maximum air consumption with 5 psi (72 bar) air inlet pressure and 80 cpm.

(2) Maximum noise level measured at 3' (1 m) from the pump, 100 psi (7 bar) air pressure and free delivery.

SAE 10, 70 °F (21 °C) CAPACITY CURVE



PUMPMASTER 35 - 5:1 AND 8:1 RATIO PUMP PACKAGES



PUMPMASTER 35 - 5:1 AND 8:1 RATIO UNIVERSAL STUB PUMP SYSTEMS

535 531A**Part No. 535 531A**

PumpMaster 35 - 5:1 ratio pump system.

Includes the following:

Part No. 535 531: Universal PumpMaster 35 - 5:1 ratio stub pump with bung bushing.

Part No. 916: Connecting hose hook up kit.

Part No. 535 831A

PumpMaster 35 - 8:1 ratio pump system.

Includes the following:

Part No. 535 831: Universal PumpMaster 35 - 8:1 ratio stub pump with bung bushing.

Part No. 916: Connecting hose hook up kit.



PUMPMASTER 35 - 5:1 AND 8:1 RATIO PUMP PACKAGES FOR DRUMS

535 511A

Pump packages with air operated PumpMaster 35 - 5:1 or 8:1 pressure ratio pump. The pump is designed to fit through the 2" bung open on oil drums or to be mounted on a lid for open drums. The pump includes a height adjustable bung adaptor.

Part No. 535 511A

PumpMaster 35 - 5:1 ratio pump system for standard 250 gal work bench type tank and 55 gal drums.

Includes the following:

Part No. 535 511: PumpMaster 35 - 5:1 pump with bung bushing.

Part No. 916: Connecting hose hook up kit.

Part No. 535 811A

PumpMaster 35 - 8:1 ratio pump system for standard 250 gal work bench type tank and 55 gal drums.

Includes the following:

Part No. 535 811: PumpMaster 35 - 8:1 pump with bung bushing.

Part No. 916: Connecting hose hook up kit.

**Recommended options:**

Part No. 957 air filter and regulator combo, 3/8" NPTF.

Part No. 609 007 pressure relief valve, approx. 900 psi for PM35 5:1.

Part No. 609 008 pressure relief valve, approx. 1,450 psi for PM35 8:1.



PUMPMASTER 45 - 3:1 RATIO OIL PUMP

PM45 HEAVY-DUTY SERIES

HEAVY-DUTY VOLUME TRANSFER PUMP

Double acting air operated medium pressure and high delivery pump for large volume transfer applications. Built in port for optional (PN 609 007) pressure relief valve. **Flange mounted pump.**



FLUIDS HANDLED

- Synthetic and mineral based oil.
- Hydraulic oil.
- Gear lube.
- Transmission fluid.

MARKETS SERVED

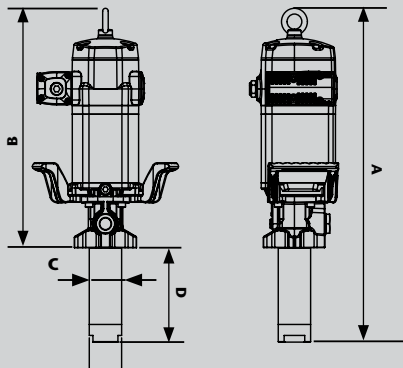
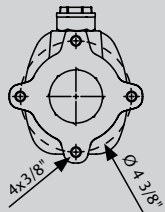
- Construction equipment.
- Mining equipment.
- Large fleets.
- Railroad and mass transit maintenance.
- Marine.
- In plant oil distribution and transfer.

MODELS		
PART No.	APPLICATION	WEIGHT
536 331	Universal stub pump. Flange mounted	38 lb (17 kg)

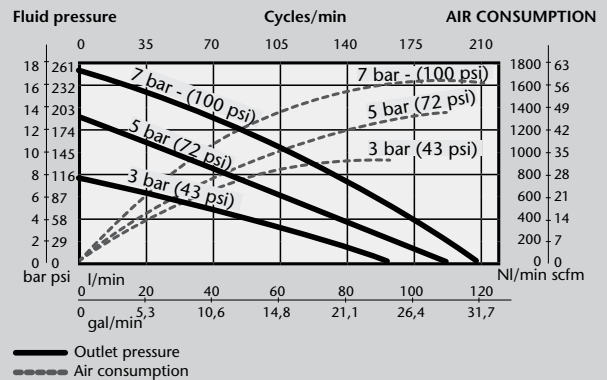
TECHNICAL DATA PRESSURE RATIO 3:1	
Air pressure operating range	20 to 170 psi (1,5 to 12 bar)
Air consumption (1)	28 scfm (800 NI/min)
Maximum fluid outlet pressure	510 psi (36 bar)
Air motor effective diameter	4 1/2" (115 mm)
Air motor stroke	4" (100 mm)
Delivery at 80 cpm	12 gal/min (45 l/min)
Maximum free flow delivery	32 gal/min (120 l/min)
Air inlet	1/2" NPTF
Fluid inlet	1 1/2" NPTF
Fluid outlet	3/4" NPTF
Wetted and seal materials	Cast iron / Nickel / Aluminum / Steel / Polyurethane / NBR
Noise level (2)	80 dB
Manual	853 817

DIMENSIONS Inches - (mm)	
PART No.	536 331
A	28" (702)
B	20" (502)
C	3 1/2" (90)
D	8" (200)

(1) Maximum air consumption with 72 psi (5 bar) air inlet pressure and 80 cpm.
 (2) Maximum noise level measured at 3' (1 m) from the pump, 100 psi (7 bar) air pressure and free delivery.



SAE 10, 70 °F (21 °C) CAPACITY CURVE



PUMPMASTER 45 - 6:1 RATIO OIL PUMP



HEAVY-DUTY HIGH FLOW PUMP

PM45 HEAVY-DUTY SERIES

Double action air operated medium pressure pump for large system with simultaneous operation outlets that require a high delivery pump. Built in port for optional (PN 609 007) pressure relief valve. **Flange mounted pump.**

PRODUCTS HANDLED

- Synthetic and mineral based oil.
- Hydraulic oil.
- Gear lube.
- Transmission fluid.

MARKETS

- Large auto and truck dealers.
- Construction equipment maintenance.
- Mining equipment maintenance.
- Large fleets.
- Railroad and mass transit maintenance.
- Marine.
- In plant oil distribution.



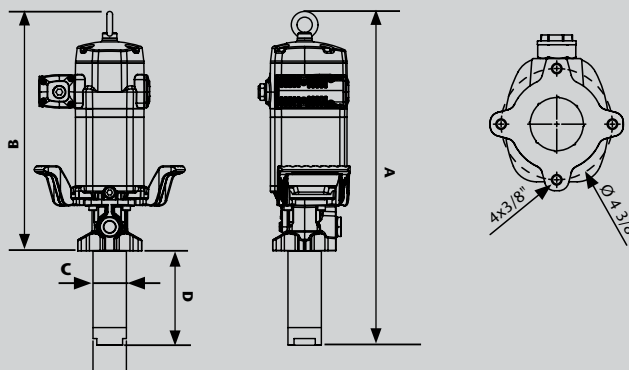
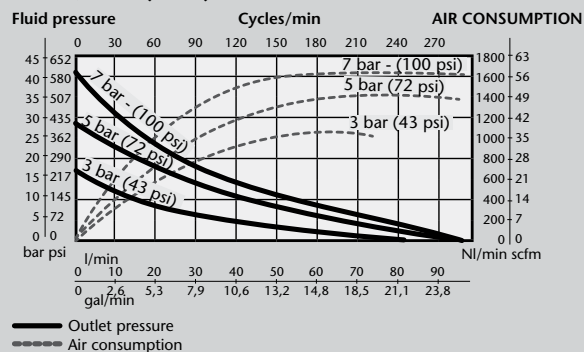
MODELS		
PART No.	APPLICATION	WEIGHT
536 631	Universal stub pump. Flange mount	38 lb (17 kg)

TECHNICAL DATA PRESSURE RATIO 6:1	
Air pressure operating range	20 to 170 psi (1,5 to 12 bar)
Air consumption (1)	29 scfm (830 NI/min)
Maximum fluid outlet pressure	1,020 psi (72 bar)
Air motor effective diameter	4 1/2" (115 mm)
Air motor stroke	4" (100 mm)
Delivery at 80 cpm	6.60 gal/min (25 l/min)
Maximum free flow delivery	25 gal/min (95 l/min)
Air inlet	1/2" NPTF
Fluid inlet	1 1/2" NPTF
Fluid outlet	3/4" NPTF
Wetted and seal materials	Cast iron / Hard chromed steel / Steel / Polyurethane / NBR
Noise level (2)	80 dB
Manual	853 813

(1) Maximum air consumption with 72 psi (5 bar) air inlet pressure and 80 cpm.
 (2) Maximum noise level measured at 3' (1 m) from the pump, 100 psi (7 bar) air pressure and free delivery.

DIMENSIONS Inches - (mm)	
PART No.	536 631
A	28" (702)
B	20" (502)
C	2 3/4" (70)
D	8" (200)

SAE 10, 70 °F (21 °C) CAPACITY CURVE





PUMPMASTER 45 -10:1 RATIO OIL PUMPS

PM45 HEAVY-DUTY SERIES

HEAVY-DUTY PRESSURE FLOW PUMPS

Double acting air operated moderate pressure pump for very large oil systems or when low air pressure or cold temperatures would limit pump performance. Built in port for optional (PN 609 008) pressure relief valve. Flange mounted pumps. Pump 536 011 can also use bung adaptor (PN: 360 006) for bung mounting.



PRODUCTS HANDLED

- Synthetic and mineral based oil.
- Hydraulic oil.
- Gear lube.
- Transmission fluid.

MARKETS

- Large auto and truck dealers.
- Construction equipment maintenance.
- Mining equipment maintenance.
- Railroad and mass transit maintenance.
- Large fleets.
- Lube trucks.
- Marine.
- In plant oil distribution.

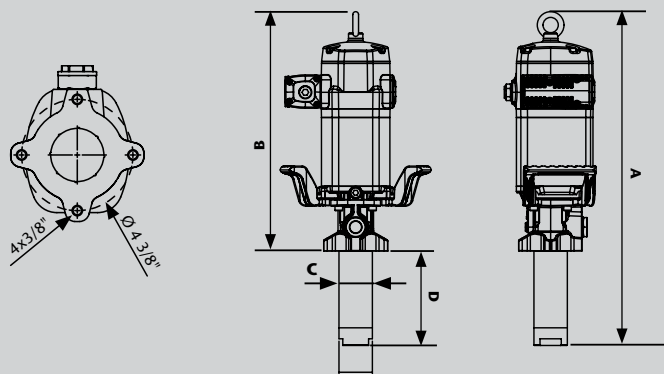
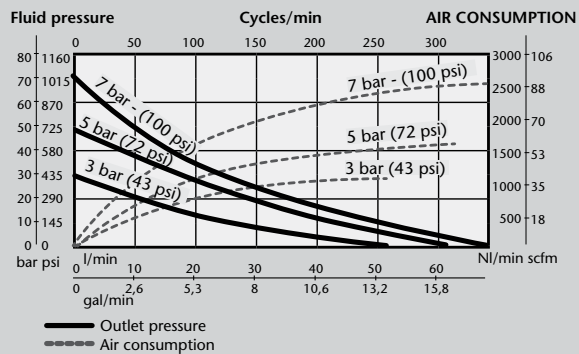
MODELS		
PART No.	APPLICATION	WEIGHT
536 031	Universal stub pump. Flange mounted pump, bung bushing optional	36 lb (16,5 kg)
536 011	55 gal (205 l) drum. Flange mounted pump, bung bushing optional	38 lb (17 kg)

TECHNICAL DATA PRESSURE RATIO 10:1	
Air pressure operating range	20 to 170 psi (1,5 to 12 bar)
Air consumption (1)	30 scfm (850 NI/min)
Maximum fluid outlet pressure	1,700 psi (120 bar)
Air motor effective diameter	4 1/2" (115 mm)
Air motor stroke	4" (100 mm)
Delivery at 80 cpm	4 gal/min (15 l/min)
Maximum free flow delivery	17.2 gal/min (65 l/min)
Air inlet	1/2" NPTF
Fluid inlet	1 1/2" NPTF
Fluid outlet	3/4" NPTF
Wetted and seal materials	Cast iron / Hard chromed steel / Steel / Polyurethane / NBR
Noise level (2)	80 dB
Manual	853 812

DIMENSIONS Inches - (mm)		
PART No.	536 031	536 011
A	28" (702)	54" (1.357)
B	20" (502)	20" (502)
C	2" (54)	2" (54)
D	8" (200)	34" (855)

(1) Maximum air consumption with 72 psi (5 bar) air inlet pressure and 80 cpm.
 (2) Maximum noise level measured at 3' (1 m) from the pump, 100 psi (7 bar) air pressure and free delivery.

SAE 10, 70 °F (21 °C) CAPACITY CURVE



PUMPMASTER 60 - 6:1 RATIO OIL PUMP



HEAVY-DUTY HIGH DELIVERY PUMP

PM60 HEAVY-DUTY SERIES

Double acting air operated medium pressure and high delivery pump, for large installations with simultaneous operation outlets and applications that require large, constant delivery rates. Built in port for optional (PN 609 007) pressure relief valve. **Flange mounted pump.**

PRODUCTS HANDLED

- Synthetic and mineral based oil.
- Hydraulic oil.
- Gear lube.
- Transmission fluid.

MARKETS

- Very large auto and truck dealers.
- Construction equipment maintenance.
- Mining equipment maintenance.
- Large fleets.
- Railroad and mass transit maintenance.
- Marine.
- In plant oil distribution.



MODELS		
PART No.	APPLICATION	WEIGHT
537 631	Universal stub pump. Flange mounted	42 lb (19 kg)

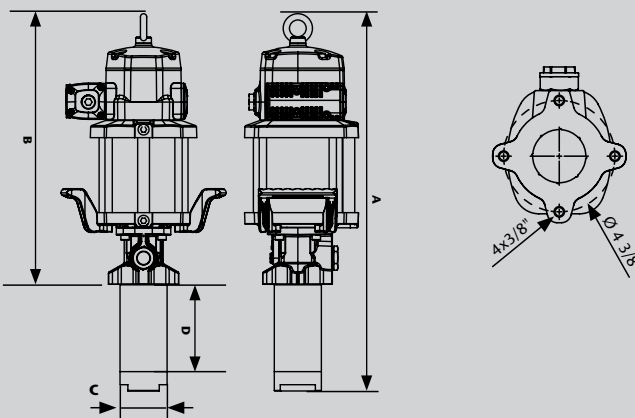
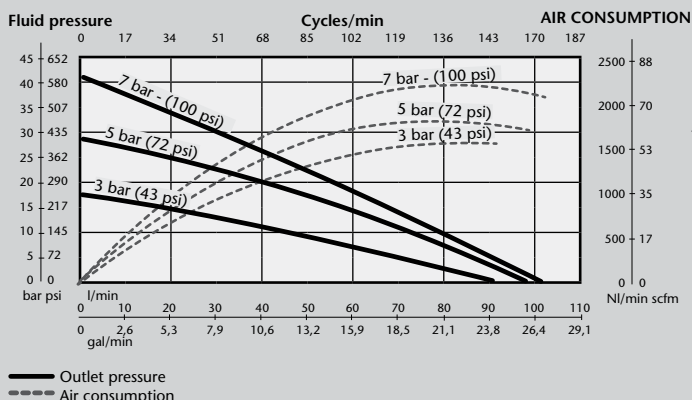
TECHNICAL DATA PRESSURE RATIO 6:1	
Air pressure operating range	20 to 170 psi (1,5 to 12 bar)
Air consumption (1)	39 scfm (1.100 NI)
Maximum fluid outlet pressure	1,020 psi (72 bar)
Air motor effective diameter	6" (150 mm)
Air motor stroke	4" (100 mm)
Delivery at 60 cpm	9.25 gal/min (35 l/min)
Maximum free flow delivery	26.5 gal/min (100 l/min)
Air inlet	1/2" NPTF
Fluid inlet	1 1/2" NPTF
Fluid outlet	3/4" NPTF
Wetted and seal materials	Cast iron / Aluminum / Nickel / Steel / Polyurethane / NBR
Noise level (2)	80 dB
Manual	853 821

(1) Maximum air consumption with 72 psi (5 bar) air inlet pressure and 60 cpm.

(2) Maximum noise level measured at 3' (1 m) from the pump, 100 psi (7 bar) air pressure and free delivery.

DIMENSIONS Inches - (mm)	
PART No.	537 631
A	28 1/4" (716)
B	20 1/4" (516)
C	3 1/2" (90)
D	8" (200)

SAE 10, 70 °F (21 °C) CAPACITY CURVE



PUMPMASTER 60 - 12:1 RATIO OIL PUMP

PM60 HEAVY-DUTY SERIES

HEAVY-DUTY HIGH PERFORMANCE PUMP

Double acting air operated moderate pressure and high delivery pump for very large installation with simultaneous operation outlets or when low air pressure or low temperatures would limit pump performance. Built in port for optional (PN 609 008) pressure relief valve. **Flange mounted pump.**



PRODUCTS HANDLED

- Synthetic and mineral based oil.
- Hydraulic oil.
- Gear lube.
- Transmission fluid.

MARKETS

- Very large auto and truck dealers.
- Construction equipment maintenance.
- Mining equipment maintenance.
- Large fleets.
- Railroad and mass transit maintenance.
- Marine.
- In plant oil distribution.

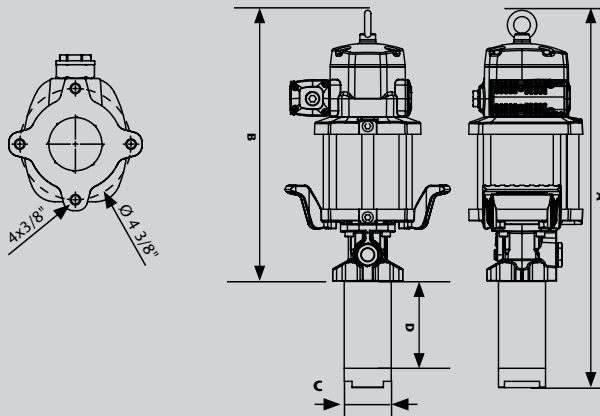
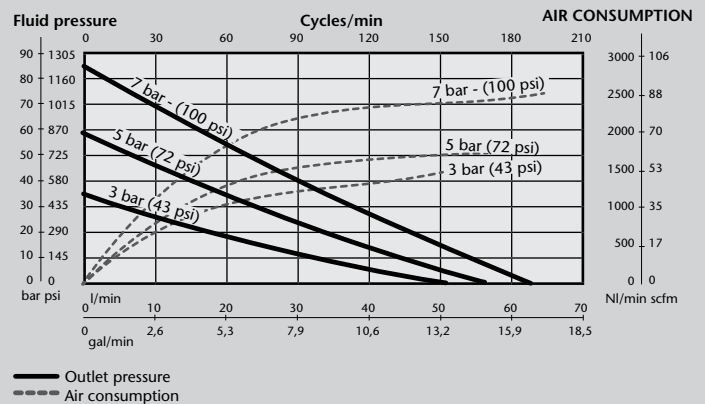
MODELS		
PART No.	APPLICATION	WEIGHT
537 131	Universal stub pump. Flange mounted	41.9 lb (19 kg)

TECHNICAL DATA PRESSURE RATIO 12:1	
Air pressure operating range	20 to 170 psi (1,5 to 12 bar)
Air consumption (1)	41 scfm (1.150 NI)
Maximum fluid outlet pressure	2,040 psi (144 bar)
Air motor effective diameter	6" (150 mm)
Air motor stroke	4" (100 mm)
Delivery at 60 cpm	5.3 gal/min (20 l/min)
Maximum free flow delivery	17 gal/min (65 l/min)
Air inlet	1/2" NPTF
Fluid inlet	1 1/2" NPTF
Fluid outlet	3/4" NPTF
Wetted and seal materials	Cast iron / Hard chromed steel / Steel / Polyurethane / NBR
Noise level (2)	80 dB
Manual	853 818

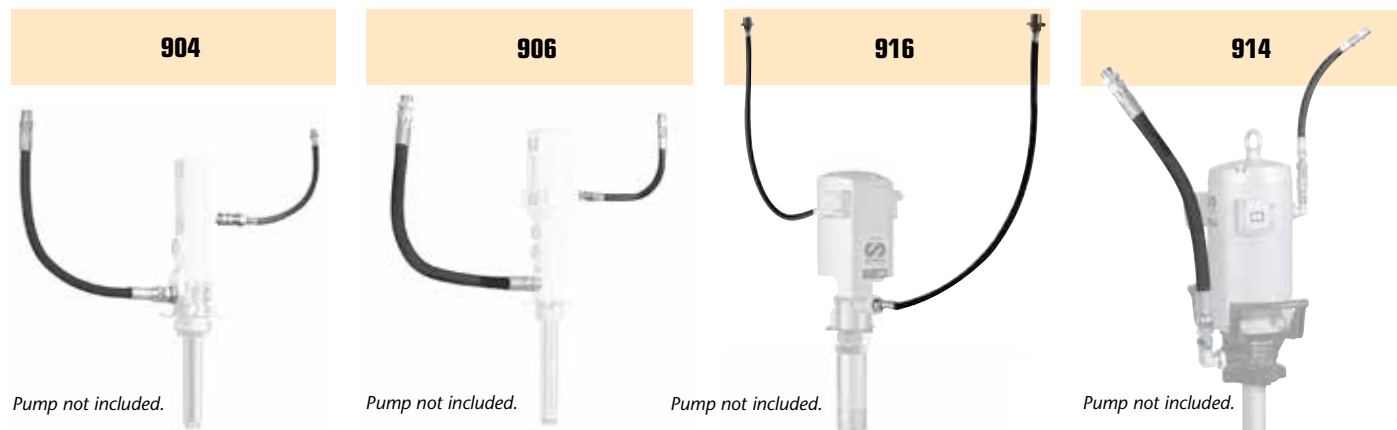
DIMENSIONS Inches - (mm)	
PART No.	537 131
A	28 1/4" (716)
B	20 1/4" (516)
C	2 3/4" (70)
D	8" (200)

(1) Maximum air consumption with 72 psi (5 bar) air inlet pressure and 60 cpm.
 (2) Maximum noise level measured at 3' (1 m) from the pump, 100 psi (7 bar) air pressure and free delivery.

SAE 10, 70 °F (21 °C) CAPACITY CURVE



OIL PUMP ACCESSORIES



HOSE CONNECTION KITS

Part No. 904
Medium pressure hose installation hook-up connection kit for PumpMaster 2 - 1:1 and 3:1 oil pumps.

Includes the following:

- Part No. 802: 5' air hose, 1/4" NPTM both ends.
- Part No. 930F04: Quick air coupler, 1/4" NPTF.
- Part No. 933M04: Quick air nipple, 1/4" NPTM.
- Part No. 857: 5' medium pressure 3/4" hose, 3/4" NPTM both ends.

Recommended option:

Part No. 955 air filter regulator combo, 1/4" NTPF.

Part No. 906
Medium pressure hose installation hook-up connection kit for PumpMaster 4 - 3:1 and 5:1 oil pumps.

Includes the following:

- Part No. 813: 5' air hose, 3/8" NPTM both ends.
- Part No. 930F06: Quick air coupler, 3/8" NPTF.
- Part No. 933M06: Quick air nipple, 3/8" NPTM.
- Part No. 857: 5' medium pressure 3/4" hose, 3/4" NPTM both ends.

Recommended option:

Part No. 957 air filter regulator combo, 3/8" NTPF.

Part No. 916
Medium pressure hose hook-up connection kit for PumpMaster 35 - 5:1 and 8:1 oil pumps.

Includes the following:

- Part No. 813: 5' air hose, 3/8" NPTM both ends.
- Part No. 930F06: Quick air coupler, 3/8" NPTF.
- Part No. 933M06: Quick air nipple, 3/8" NPTM.
- Part No. 846: 5' medium pressure 1/2" hose, 1/2" NPTM both ends.

Recommended option:

Part No. 957 air filter regulator combo, 3/8" NTPF.

Part No. 914
Medium pressure hose installation hook-up connection kit for PumpMaster 45 and 60 oil pumps.

Includes the following:

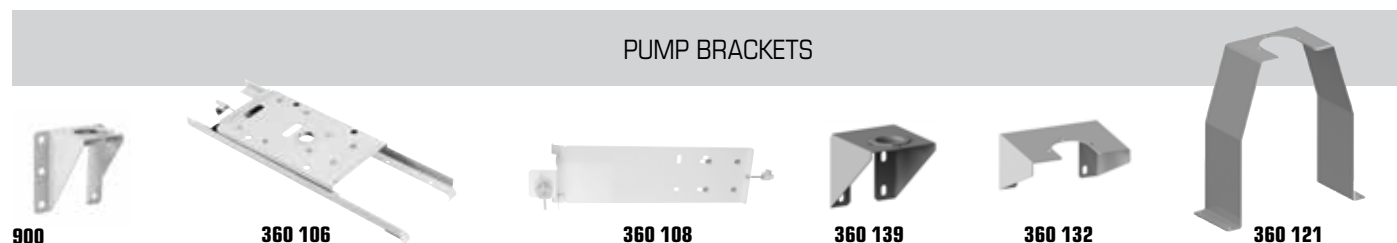
- Part No. 823: 5' air hose, 1/2" NPTM both ends.
- Part No. 935F08: Quick air coupler, 1/2" NPTF.
- Part No. 936M08: Quick air nipple, 1/2" NPTM.
- Part No. 857: 5' medium pressure 3/4" hose, 3/4" NPTM both ends.
- Part No. 1981: 90° swivel, 1/2" NPTF x 1/2" NPTM.
- Part No. 1982: 90° swivel, 3/4" NPTF x 3/4" NPTM.

Recommended option:

Part No. 958 air filter regulator combo, 1/2" NTPF.

All air and oil hoses have one swivel end.

PUMP BRACKETS



PART No.	FOR PUMPMaster 2 AND PUMPMaster 4 OIL PUMPS
900	Wall mount bracket. 2" NPTF bung opening.
360 106	Bracket for mounting PumpMaster 2 or PumpMaster 4 pump and reel to top of a 275/330 gal tote. (Requires pump bracket 900 extra)
360 107	Bracket for mounting PumpMaster 2 or PumpMaster 4 pump and reel on one side of a 275/330 gal tote. (Requires pump bracket 900, pivoting bracket 1388 optional)
360 108	Bracket for mounting a PumpMaster 2 or PumpMaster 4 pump on one side of a 275/330 gal tote. (Requires pump bracket 900)
360 120	Floor bracket for PumpMaster 2 and PumpMaster 4 pumps
PART No.	FOR PUMPMaster 35 OIL PUMPS (5:1 AND 8:1)
360 139	Wall mount bracket, 2" NPTF bung opening
360 140	Wall mount bracket, flange mounted pumps.
PART No.	FOR PUMPMaster 45 AND PUMPMaster 60 OIL PUMPS
360 121	Floor mount bracket. For PM45 and PM60 flange mounted pumps
360 132	Wall mount bracket. For PM45 and PM60 flange mounted pumps



OIL PUMP ACCESSORIES

DRUM COVERS



1936

Deluxe Drum Covers

2" NPTF bung opening, allows mounting a PM2 or a PM4 pump to an open top 55 or 16 gal drum. For PumpMaster 2 and PumpMaster 4 oil pumps.

Part No. 1936

Deluxe cover for 16 gal open top kegs.

Part No. 1938

Deluxe cover for 55 gal open top drums.



418 026

Heavy-Duty Drum Covers

Allows mounting a flange mounted PM45 - 10:1 pump to an open top keg or drum.

Part No. 418 017

Deluxe cover for 16 gal open top kegs.

Part No. 418 026

Deluxe cover for 55 gal open top drums.



360 133

Part No. 360 133

Bung mount adaptor for flange type drum cover.

Converts flange mount to standard 2" NPT bung opening. Permits the use of bung mounted type pumps (PM2, PM4 and PM35) with Heavy-Duty drum cover.



360 006

Part No. 360 001 For PM2 - 1:1 pressure ratio pumps and PM4 - 3:1 pressure ratio pumps.

Part No. 360 000 For PM2 - 3:1 pressure ratio pump.

Part No. 360 002 For PM4 - 5:1 pressure ratio pumps and PM35- 8:1 pressure ratio pumps.

Part No. 609 004 For PM35 - 5:1 pressure ratio pumps.

Part No. 360 006 For PM45 - 10:1 pressure ratio pumps.



244 901

Part No. 244 901

All weather protection bung adaptor cover. When placed between the pump and the bung adaptor, prevents water passing to the oil container in outdoors applications. For PM2 - 3:1, PM4 - 5:1 and PM35 - 8:1 pumps.

BUNG BUSHING ADAPTORS

SUCTION ACCESSORIES



912

Part No. 910 Siphon kit for pumps

Use with PumpMaster 2 and PumpMaster 4 pumps. Siphon kit consisting of 40" suction tube with foot valve, 2" bung bushing adaptor, 8' spring reinforced transparent hose, 3/4" (F) swivel end, one PM2 - 3:1 pump to hose connector, 3/4" MM and one PM4 - 3:1 and 5:1 pump to hose connector, 3/4" M x 1" M. Suction tube length: 46"

Part No. 912 Siphon kit for wall mount pumps

Use with PumpMaster 2 - 3:1 and PumpMaster 4 - 3:1 and 5:1 pumps.

Includes the following:

Part No. 900: Wall mount bracket.

Part No. 910: Siphon kit.

Part No. 926 Suction hose kit for wall mounted pumps

Use with PumpMaster 35, PumpMaster 45 and PumpMaster 60 pumps.

Includes the following:

Part No. 863 506: 6' medium pressure 1 1/2" hose, 1 1/2" NPTM both ends, swivel one end.

Part No. 2520: Elbow 1 1/2" NPT M x 1 1/2" NPT F.

Order bracket 360 139 for PM35 pumps or 360 132 for PM45 and PM60 pumps separately.

OIL PUMP ACCESSORIES



PRESSURE RELIEF VALVES

609 007 - 94112023

Fluids submitted to temperature increase in confined spaces, such as rigid pipes and even hoses, can create a rise in pressure due to the thermal expansion. System over pressure might occur and it can result in equipment rupture and personal injury. All Samson oil pumps include a 1/4" plug that can be removed and replaced with a pressure relief valve. Relief valves include 36" transparent return tube.

Part No. 609 007

Pressure relief valve. Opens at approx. 900 psi, for PumpMaster 2 - 3:1 pumps, PumpMaster 4 - 3:1 and 5:1 pumps, PumpMaster 35 - 5:1 pumps, PumpMaster 45 - 3:1, 6:1 pumps and PumpMaster 60 - 6:1 pumps.



Part No. 609 008

Pressure relief valve. Opens at approx. 1,450 psi, for PumpMaster 35 - 8:1 pumps, PumpMaster 45 - 10:1 pumps and PumpMaster 60 - 12:1 pumps.



Part No. 94112023

Double tap bushing, 2" (M) x 1-1/2" (F) threads. With a 1/8" NPTF opening for pressure relief return line. Use with 1-1/2" (MM) adaptor for PM35 - 5:1 pumps. Use with 1-1/2" (M) x 1" (M) adaptor for PM4 - 3:1 and 5:1 pumps.

AUTO STOP VALVES

2525

The auto stop valve is designed to stop operation of a reciprocating type air motor in the event of a ruptured outlet hose or the pump runs out of material. The auto stop valve senses an increased volume of air to the pump, beyond the pre-adjusted setting, and shuts off the air to the pump.

Part No. 2525

Auto stop valve, 1/4" inlet and outlet.



Part No. 2550

Auto stop valve, 1/2" inlet and outlet.

SHUT OFF VALVES

2074 - 2013

LOW PRESSURE BALL VALVES		MEDIUM PRESSURE BALL VALVES		HIGH PRESSURE NEEDLE VALVES	
600 psi		2,000 psi		10,000 psi	
PART No.	NPTF	PART No.	NPTF	PART No.	NPTF
2013	1/4"	2074	1/2"	2077	1/2"
2088	1/2"	2083	3/4"	2089	3/4"
2091	3/4"	2090	1"	2093	1"
2084	1"	2082	1 1/2"		





OIL PUMP ACCESSORIES

OIL PUMP MOUNTING ACCESSORIES QUICK REFERENCE CHART

PUMP	PUMPMASTER 2		PUMPMASTER 4		PUMPMASTER 35		PUMPMASTER 45			PUMPMASTER 60	
RATIO	1:1	3:1	3:1	5:1	5:1	8:1	3:1	6:1	10:1	6:1	12:1
BUNG ADAPTOR	360 001	360 000	360 001	360 002	609 004	360 002	(1)	(1)	360 006	(1)	(1)
CONNECTION HOSE KIT	904	904	906	906	916	916	914	914	914	914	914
WALL MOUNTING BRACKET	900	900	900	900	360 139	360 140	360 132	360 132	360 132	360 132	360 132
FLOOR BRACKET	360 120	360 120	360 120	360 120	-	-	360 121	360 121	360 121	360 121	360 121
THERMAL RELIEF KIT	Not needed	609 007	609 007	609 007	609 007	609 008	609 007	609 007	609 008	609 007	609 008
AIR REGULATOR WITH GAUGE	991	991	973	973	973	973	976	976	976	976	976
AIR FILTER REGULATOR (F/R)	955	955	957	957	957	957	958	958	958	958	958
FRL	995	995	984	984	984	984	985	985	985	985	985
AIRLINE SHUTOFF VALVE	2013	2013	2088	2088	2088	2088	2088	2088	2088	2088	2088
FLUID SHUTOFF VALVE	2083	2083	2083	2083	2074	2074	2083	2083	2083	2083	2083
SUCTION KIT (*)	910	910	910	910	926	926	(2)	(2)	926	(2)	(2)
QUICK AIR COUPLER	930F04	930F04	930F06	930F06	930F06	930F06	935F08	938F08	938F08	938F08	938F08
QUICK AIR NIPPLE	933M04	933M04	933M06	933M06	933M06	933M06	947M08	947M08	947M08	947M08	947M08
AIR CONNECTION ACCESSORIES I.D.	1/4" 6 mm	1/4" 6 mm	3/8" 8 mm	3/8" 8 mm	3/8" 8 mm	3/8" 8 mm	1/2" 12 mm	1/2" 12,5 mm	1/2" 12,5 mm	1/2" 12,5 mm	1/2" 12,5 mm

(*) Suction kit for 55 gal (200 l) drum. Pump bracket not included.

(1) Pump must be wall or floor mounted.

(2) SAMSON recommends using 1 1/2" x 6' maximum length hose as suction kit.

Pump installation recommendations

- Always use a ball valve between the tank outlet and the suction hose in flooded suction installations.
- Always use a ball valve between the pump outlet hose and the fluid distribution line.

02 AIR OPERATED GREASE PUMPS AND KITS

AIR AIR OPERATED GREASE PUMPS	30
PUMPMAS ^T ER 3 - 55:1 RATIO GREASE PUMPS	32
PUMPMAS ^T ER 3 - 55:1 GREASE PUMP PACKAGES	33
PUMPMAS ^T ER 35 - 60:1 RATIO GREASE PUMPS	34
PUMPMAS ^T ER 35 - 60:1 GREASE PUMP PACKAGES	35
PUMPMAS ^T ER 45 - 25:1 RATIO GREASE PUMP	37
PUMPMAS ^T ER 45 - 40:1 RATIO GREASE PUMPS	38
PUMPMAS ^T ER 45 - 70:1 RATIO GREASE PUMPS	39
PUMPMAS ^T ER 60 - 12:1 RATIO GREASE PUMPS	40
PUMPMAS ^T ER 60 - 80:1 RATIO GREASE PUMPS	41
PUMPMAS ^T ER 45 AND 60 HEAVY-DUTY PUMP SYSTEMS	42
PUMPMAS ^T ER 45 AND 60 HEAVY-DUTY PUMP PACKAGES	43
SPECIALTY PUMPMAS ^T ER 60 GREASE PUMP	45
GREASE PUMP ACCESSORIES	46





AIR OPERATED GREASE PUMPS

SAMSON offers a range of high pressure and high delivery grease pumps to handle a wide variety of applications. This pump offering fits original container sizes, from small pails to drums, totes and speciality built tanks, and covers applications from portable units to large distribution systems.

SAMSON's grease pumps are designed to provide years of dependable service. The in-line balanced design assures maximum pump efficiency. All SAMSON pumps have a double acting design, pumping product on both the upstroke and downstroke. An effective priming piston provides positive priming, even when used with high viscosity or tacky greases. A hardened foot valve minimizes pump damage due to dirt. A corrosion proof air motor design tolerates moisture in compressed air.



PM 35 HEAVY-DUTY SERIES

PM3 UTILITY PUMP SERIES



PUMP MASTER®

	PUMPMASTER 3 - 55:1	PUMPMASTER 35 - 60:1
PUMP DESCRIPTION	Utility high pressure	Heavy-Duty high pressure
SIMULTANEOUS OPERATION OUTLETS	1 No reels - mobile units	1 to 2
MAX. LINE LENGTH	50' - 15 m	250' - 75 m
APPLICATION	Agriculture Service shops Light Industrial	Heavy-Duty service shops Fleets Lube trucks Mining and construction In-plant Railroad and mass transit

Maximum line length and number of simultaneous dispense points also depends on the line diameter, fluid viscosity and required delivery.

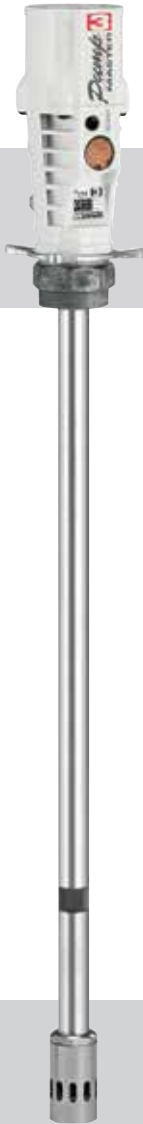

**PM45 HEAVY-DUTY
SERIES**

**PM60 HEAVY-DUTY
SERIES**


PUMPMASTER 45 - 25:1	PUMPMASTER 45 - 40:1	PUMPMASTER 45 - 70:1	PUMPMASTER 60 - 12:1	PUMPMASTER 60 - 80:1
Heavy-Duty pressure transfer	Heavy-Duty high flow	Heavy-Duty high pressure	Heavy-Duty volume transfer	Heavy-Duty high performance
1 No reels - mobile units	4 or more	4 or more	1	4 or more
250' - 75 m	400' - 125 m	600' - 175 m	175' - 50 m	800' - 250 m
Moderate pressure transfer Lube trucks Mining and construction In-plant	Heavy-Duty service shops Fleets Lube trucks Mining and construction Railroad and mass transit In-plant Marine	Heavy-Duty service shops Fleets Lube trucks Mining and construction Railroad and mass transit In-plant Marine	Low pressure, high volume transfer Mining and construction In-plant Railroad and mass transit	Fleets Lube trucks Mining and construction Railroad and mass transit In-plant Marine

Maximum line length and number of simultaneous dispense points also depends on the line diameter, fluid viscosity and required delivery.

Product specifications are subject to change without prior notice



Light weight and effective double acting high pressure air operated pumps specially designed for use in mobile and portable greasing units.

Pumps are available with three different suction tube lengths, to fit all commercial grease drums: 35 lb (20 kg), 120 lb (50 kg) and 400 lb (185 kg). They include a height adjustable 2" NPTM bung adaptor.

FLUIDS HANDLED

- Grease up to NLGI-2.

MARKETS SERVED

- Agriculture.
- Service shops.
- Light industrial.

MODELS		
PART No.	APPLICATION	WEIGHT
300	35 lb (20 kg) pail with bung adaptor	8 lb (3,5 kg)
302	120 lb (50 kg) keg with bung adaptor	9.5 lb (4,3 kg)
304	400 lb (185 kg) drum with bung adaptor	10.6 lb (4,8 kg)

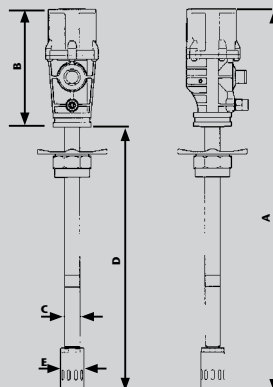
TECHNICAL DATA	
Pump ratio	55:1
Air pressure operating range	20 to 140 psi (1,5 to 10 bar)
Air consumption (1)	5.8 scfm (165 NL/min)
Maximum fluid outlet pressure	7,700 psi (550 bar)
Air motor diameter	2 3/4" (70 mm)
Air motor stroke	1 1/2" (35 mm)
Delivery at 110 cpm	0.7 lb/min (300 g/min)
Maximum free flow delivery (2)	1.2 lb/min (540 g/min)
Air inlet	1/4" NPTF
Fluid outlet	1/4" NPTF
Wetted and seal materials	Steel / NBR / PTFE
Noise level (3)	85 dB
Manual	840 803

(1) Maximum air consumption with 90 psi (6 bar) air inlet pressure, NLGI-2 grease at 68 °F (20 °C) and 110 cpm.

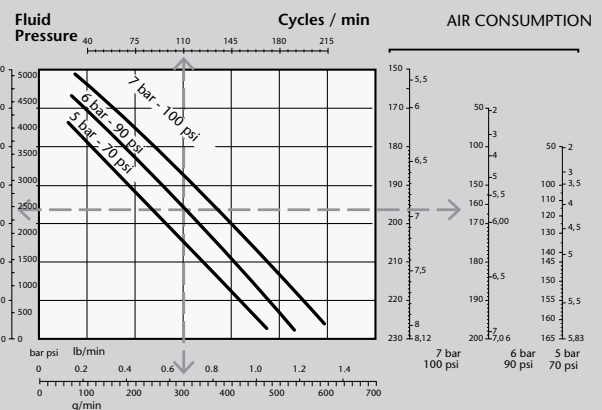
(2) Maximum free delivery at 100 psi (7 bar). NLGI-2 grease.

(3) Maximum noise level measured at 3' (1 m) from the pump, 100 psi (7 bar) air pressure and free delivery.

DIMENSIONS Inches - (mm)			
PART No.	300	302	304
A	24" (610)	36 1/2" (925)	44" (1.120)
B	8" (200)	8" (200)	8" (200)
C	1" (26)	1" (26)	1" (26)
D	16" (410)	28 1/2" (725)	36" (920)
E	1 1/2" (38)	1 1/2" (38)	1 1/2" (38)



NLGI-2, 68 °F (20 °C) CAPACITY CURVE



PUMPMASTER 3 - 55:1 GREASE PUMP PACKAGES



02

GREASE PUMPS

PUMPMASTER 3 GREASE PUMP PACKAGES FOR 35 LB PAILS

PART No.	319	301 101	301 111	301 121
PUMPMASTER 3 - 55:1 PUMP	300	300	300	300
PAIL COVER	1934	1934	1934	1934
FOLLOWER PLATE	962	962	962	962
DELIVERY HOSE	5' x 1/4" (871 000)	10' x 1/4" (872 000)	10' x 1/4" (872 000)	10' x 1/4" (872 000)
GREASE HANDLE	413 077	413 077	413 077	413 077
GREASE HANDLE SWIVEL	Straight (1109)	Z-swivel (1105)	Z-swivel (1105)	Z-swivel (1105)
1/4" QUICK AIR COUPLER	-	930F04	930F04	930F04
1/4" QUICK AIR NIPPLE	-	933M04	933M04	933M04
1/4" MINI FILTER REGULATOR COMBO	-	955	955	955
1/4" PUMP TO FR COMBO CONNECTOR	-	2051	2051	2051
CARRYING HANDLE	2020	2020	2020	2020
BAND DOLLY	-	-	-	1302
TWO WHEEL CART	-	-	1301	-



PUMPMASTER 3 GREASE PUMP PACKAGES FOR 120 AND 400 LB DRUMS



PART No.	320	303 101	303 111	303 141	303 201	303 211	303 241	305 101	305 161
PUMPMASTER 3 - 55:1 PUMP	120 lb (302)	120 lb (302)	120 lb (302)	120 lb (302)	120 lb (302)	120 lb (302)	120 lb (302)	400 lb (304)	400 lb (304)
DRUM COVER	1936	1936	1936	1936	1936	1936	1936	1938	1938
FOLLOWER PLATE	964	964	964	964	964	964	964	966	966
DELIVERY HOSE	5' x 1/4" (871 000)	10' x 1/4" (872 000)	10' x 1/4" (872 000)	10' x 1/4" (872 000)	20' x 1/4" (874 000)	20' x 1/4" (874 000)	20' x 1/4" (874 000)	20' x 1/4" (874 000)	20' x 1/4" (874 000)
GREASE HANDLE	413 077	413 077	413 077	413 077	413 077	413 077	413 077	413 077	413 077
GREASE HANDLE SWIVEL	Straight (1109)	Z-swivel (1105)	Z-swivel (1105)	Z-swivel (1105)	Z-swivel (1105)	Z-swivel (1105)	Z-swivel (1105)	Z-swivel (1105)	Z-swivel (1105)
1/4" QUICK AIR COUPLER	-	930F04	930F04	930F04	930F04	930F04	930F04	930F04	930F04
1/4" QUICK AIR NIPPLE	-	933M04	933M04	933M04	933M04	933M04	933M04	933M04	933M04
1/4" MINI FILTER REGULATOR COMBO	-	955	955	955	955	955	955	955	955
1/4" PUMP TO FR COMBO CONNECTOR	-	2051	2051	2051	2051	2051	2051	2051	2051
BAND DOLLY	-	-	-	1304	-	-	1304	-	-
TWO WHEEL CART	1301	-	1301	-	-	1301	-	-	-
STANDARD-DUTY PLATFORM TRUCK	-	-	-	-	-	-	-	-	1307

Product specifications are subject to change without prior notice



Heavy-Duty double acting pumps that combine high pressure (60:1 pressure ratio) and volume delivery. Recommended for use in distribution and greasing systems that include pipe lines, hose reels, etc. with up to 2 simultaneous use outlets even though the number of outlets in the system can be higher. Includes a height adjustable 2" NPTM bung adaptor.

FLUIDS HANDLED

- Grease up to NLGI-2.

MARKETS SERVED

- Heavy-Duty service shops.
- Fleet service.
- Lube trucks.
- Mining and construction.
- Railroad and mass transit.
- In-plant.

MODELS

PART No.	APPLICATION	WEIGHT
530 611	400 lb (185 kg) drum with bung adaptor	24 lb (11 kg)
530 621	120 lb (50 kg) keg with bung adaptor	22 lb (10 kg)
530 631	35 lb (12.5 - 20 kg) pail with bung adaptor	20 lb (9 kg)

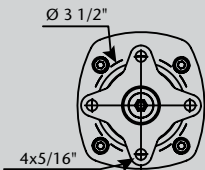
TECHNICAL DATA

Pump ratio	60:1
Air pressure operating range	20 to 145 psi (1,5 to 10 bar)
Air consumption (2)	15.9 scfm (450 NI/min)
Maximum fluid outlet pressure	8,700 psi (600 bar)
Air motor diameter	3.15" (80 mm)
Air motor stroke	3.15" (80 mm)
Delivery at 80 cpm (1)	1.1 lb/min (500 g/min)
Maximum free flow delivery	2.6 lb/min (1,200 g/min)
Air inlet	3/8" NTPF
Fluid outlet	3/8" NTPF
Wetted and seal materials	Cast Iron / Hard chromed steel / Steel / UHMWPE / NBR / PTFE / Viton®
Noise level (3)	80 dB
Manual	853 827

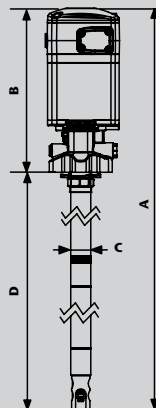
(1) Delivery at 80 cycles per minute.

(2) Air consumption at 70 psi (5 bar) air pressure, NLGI-2 grease at 68 °F (20 °C) and 80 cpm.

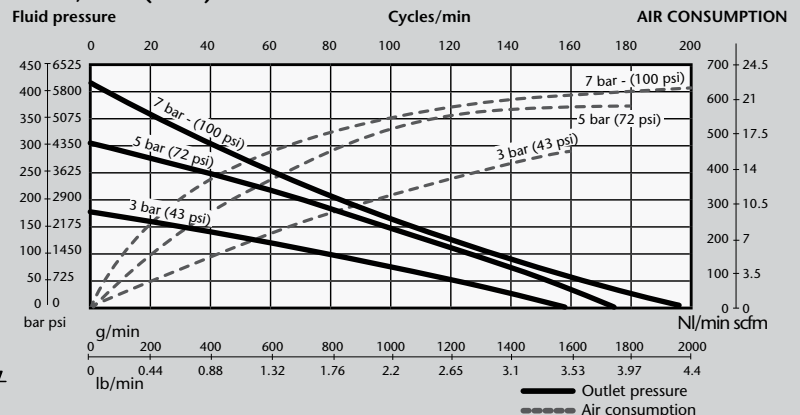
(3) Noise level measured at 3' (1 m) from the pump, 100 psi (7 bar) air pressure and free delivery.



DIMENSIONS INCHES (mm)			
PART No.	530 611	530 621	530 631
A	47 3/4" (1,212)	40" (1,017)	31 1/2" (803)
B	11 1/4" (287)	11 1/4" (287)	11 1/4" (287)
C	1 2/3" (35)	1 2/3" (35)	1 2/3" (35)
D	36 1/2" (925)	28 3/4" (730)	20 1/4" (516)



NLGI-2, 70 °F (21 °C) CAPACITY CURVE



PUMPMASTER 35 - 60:1 GREASE PUMP PACKAGES



02

GREASE PUMPS

STATIONARY PUMPS FOR CENTRAL SUPPLY SYSTEMS AND REEL INSTALLATIONS

Part No. 336

PumpMaster 35 System for 120 lb open top keg.

Includes the following:

Part No. 530 621: 60:1 ratio PM35 pump with cover mounting adaptor.

Part No. 1936: Drum cover for 120 lb keg.

Part No. 964: Follower plate for 120 lb keg, with rubber grommet and wiper.

Part No. 901: Connection hose installation hook up kit.

Part No. 338

PumpMaster 35 System for 400 lb open top drum.

Includes the following:

Part No. 530 631: 60:1 ratio PM35 pump with cover mounting adaptor.

Part No. 1938: Drum cover for 400 lb drum.

Part No. 966: Follower plate for 400 lb drum, with rubber grommet and wiper.

Part No. 901: Connection hose installation hook up kit.



SAMSON recommends using an air filter regulator (Part No. 957) at the pump air inlet (not included with pump kits)

PUMPMASTER 35 PORTABLE GREASE PUMP PACKAGES FOR 35 LB PAILS

PART No.	402 201	402 211	402 221
PUMPMASTER 35 - 60:1 PUMP	530 631	530 631	530 631
PAIL COVER	1934	1934	1934
FOLLOWER PLATE	962	962	962
DELIVERY HOSE	15' x 1/4" (873 000)	15' x 1/4" (873 000)	15' x 1/4" (873 000)
GREASE HANDLE	413 077	413 077	413 077
GREASE HANDLE SWIVEL	Z-swivel (1105)	Z-swivel (1105)	Z-swivel (1105)
3/8" QUICK AIR COUPLER	930F06	930F06	930F06
3/8" QUICK AIR NIPPLE	933M06	933M06	933M06
3/8" MINI FILTER REGULATOR COMBO	957	957	957
3/8" PUMP TO FR COMBO CONNECTOR	2052	2052	2052
PUMP TO HOSE BUSHING	2060	2060	2060
CARRYING HANDLE	2020	2020	2020
BAND DOLLY	-	-	1302
TWO WHEEL CART	-	1301	-



402 211

402 201

PUMPMASTER 35 PORTABLE GREASE PUMP PACKAGES FOR 120 LB KEGS

PART No.	333 201	333 241	333 211	333 231
PUMPMASTER 35 - 60:1 PUMP	530 621	530 621	530 621	530 621
KEG COVER	1936	1936	1936	1936
FOLLOWER PLATE	964	964	964	964
DELIVERY HOSE	15' x 1/4" (873 000)	15' x 1/4" (873 000)	15' x 1/4" (873 000)	15' x 1/4" (873 000)
GREASE HANDLE	413 077	413 077	413 077	413 077
GREASE HANDLE SWIVEL	Z-swivel (1105)	Z-swivel (1105)	Z-swivel (1105)	Z-swivel (1105)
3/8" QUICK AIR COUPLER	930F06	930F06	930F06	930F06
3/8" QUICK AIR NIPPLE	933M06	933M06	933M06	933M06
3/8" MINI FILTER REGULATOR COMBO	957	957	957	957
3/8" PUMP TO FR COMBO CONNECTOR	2052	2052	2052	2052
PUMP TO HOSE BUSHING	2060	2060	2060	2060
BAND DOLLY	-	1304	-	-
TWO WHEEL CART	-	-	1301	-
FOUR WHEEL CART	-	-	-	1303



333 231

333 211

PUMPMASTER 35 GREASE PUMP PACKAGES FOR 400 LB DRUMS



335 201



335 261



311 001

PART No.	335 201	335 251	335 261	311 001
PUMPMASTER 35 – 60:1 PUMP	530 611	530 611	530 611	530 611
DRUM COVER	1938	1938	1938	1938
FOLLOWER PLATE	966	966	966	966
DELIVERY HOSE	15' x 1/4" (873 000)	15' x 1/4" (873 000)	15' x 1/4" (873 000)	-
HOSE REEL	-	-	-	30' x 1/4" (1432)
GREASE HANDLE	413 077	413 077	413 077	413 077
GREASE HANDLE SWIVEL	Z-swivel (1105)	Z-swivel (1105)	Z-swivel (1105)	Z-swivel (1105)
3/8" QUICK AIR COUPLER	930F06	930F06	930F06	930F06
3/8" QUICK AIR NIPPLE	933M06	933M06	933M06	933M06
3/8" MINI FILTER REGULATOR COMBO	957	957	957	957
3/8" PUMP TO FR COMBO CONNECTOR	2052	2052	2052	2052
PUMP TO HOSE BUSHING	2060	2060	2060	2060
X-FRAME DOLLY	-	1306	-	-
STANDARD-DUTY PLATFORM TRUCK	-	-	1307	-
HEAVY-DUTY PLATFORM TRUCK	-	-	-	1305

PUMPMASTER 45 - 25:1 RATIO GREASE PUMP



HEAVY-DUTY PRESSURE TRANSFER PUMP

PM45 HEAVY-DUTY SERIES

02

GREASE PUMPS

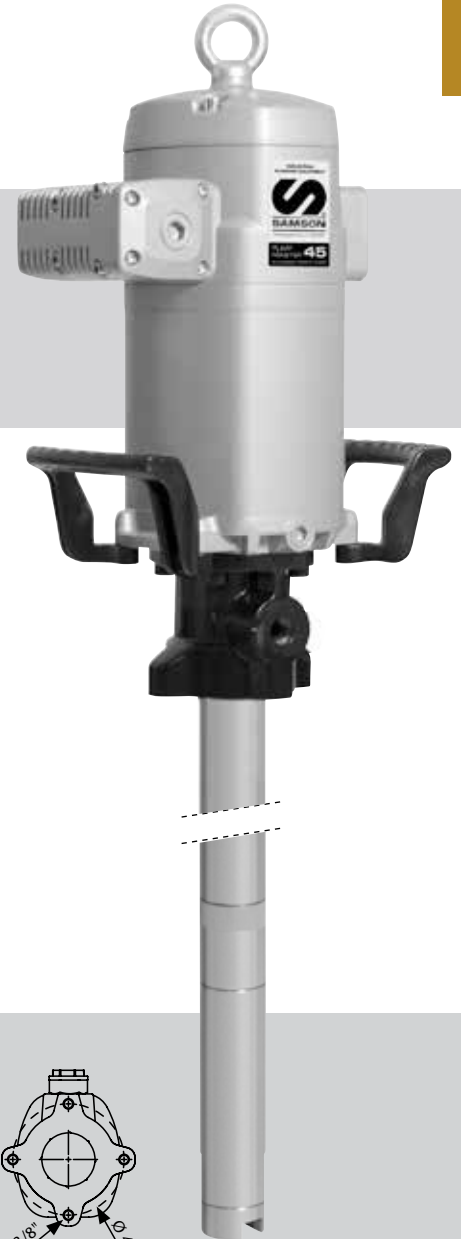
Moderate pressure, high delivery double acting pumps for transfer of grease up to NLGI-2. Also recommended for use with low viscosity grease in centralized grease systems that do not require a high pressure output and in large distribution systems of high viscosity oils. Pumps are available with tube length to fit commercial 400 lb (185 kg) drums and they are available for flange cover mount to 400 lb (185 kg) open drums using a drum cover.

FLUIDS HANDLED

- Grease up to NLGI-2.
- High viscosity oil.

MARKETS SERVED

- Lube trucks.
- Mining and construction.
- In-plant.

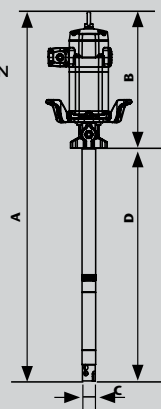
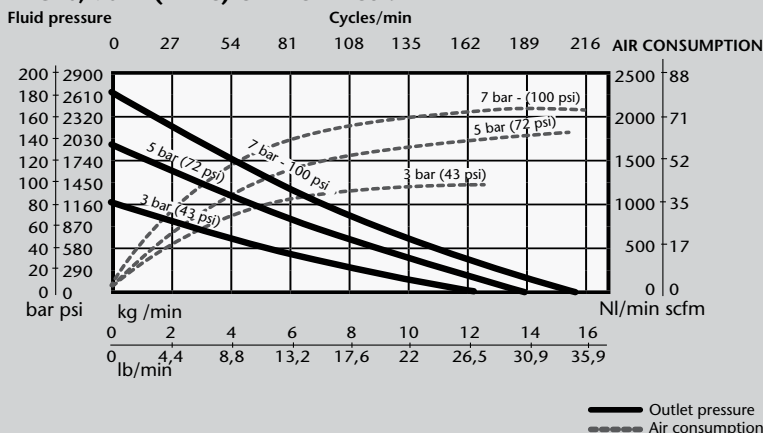


MODELS		
PART No.	APPLICATION	WEIGHT
531 211	400 lb (185 kg) drum, flange mounted	50 lb (24 kg)

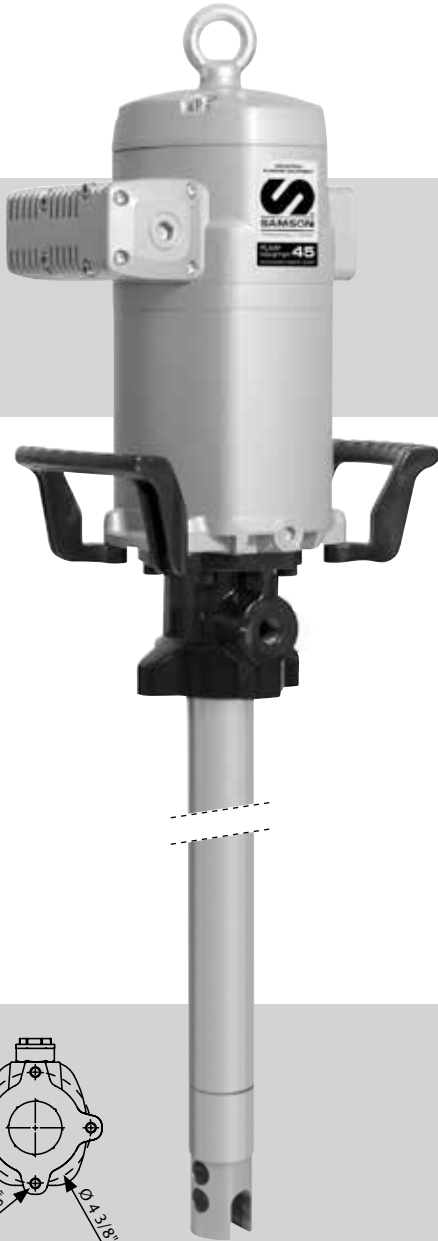
TECHNICAL DATA	
Pump ratio	25:1
Continuous duty flow rate	13.5 lb/min (6 kg/min)
Maximum free flow	35.3 lb/min (16 kg/min)
Air pressure operating range	20 - 200 psi (1,5 - 14 bar)
Maximum outlet pressure	5,000 psi (350 bar)
Air motor effective diameter	4 1/2" (115 mm)
Air motor stroke	4" (100 mm)
Air consumption (1)	47 scfm (1.340 NI/min)
Air inlet	1/2" NPTF
Fluid outlet	1/2" NPTF
Wetted and seal materials	Cast Iron / Steel / Hard chromed steel / UHMWPE / NBR
Noise level (2)	80 dB
Manual	853 820

(1) Air consumption at 70 psi (5 bar) air pressure, NLGI-0 grease at 68 °F (20 °C) and 80 cpm.
 (2) Noise level measured at 3' (1 m) from the pump, 100 psi (7 bar) air pressure and free delivery.

NLGI-0, 70 °F (21 °C) CAPACITY CURVE



DIMENSIONS Inches - (mm)	
PART No.	531 211
A	53 1/4" (1.357)
B	19 3/4" (502)
C	2" (50)
D	33 1/2" (855)



High flow double acting pumps with high pressure delivery for use in lubrication systems that require a combination of high flow and pressure delivery. Pumps can be used with grease up to NLGI-2 viscosity. These pumps can be used in medium length systems that include simultaneous operation outlets.

Pumps are available for cover mount to 120 lb (50 kg) and 400 lb (185 kg) open drums and for horizontal and side mount on grease totes, bags and tanks.

FLUIDS HANDLED

- Grease up to NLGI-2.

MARKETS SERVED

- Heavy-Duty service shops.
- Fleets.
- Mining and construction.
- Railroad and mass transit.
- In-plant.
- Marine.

MODELS		
PART No.	APPLICATION	WEIGHT
531 411	400 lb (185 kg) drum, flange mounted	55 lb (25 kg)
531 421	120 lb (50 kg) keg, flange mounted	49 lb (22 kg)
531 431*	Bulk tote	57 lb (26 kg)

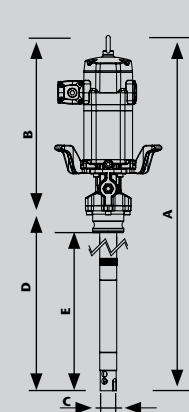
* Includes adaptor 753 110 to fit a 3" cam-lock connector for use with totes, grease bags and tanks.

TECHNICAL DATA	
Pump ratio	40:1
Continuous duty flow rate	7.5 lb/min (3,5 kg/min)
Maximum free flow	22 lb/min (11 kg/min)
Air pressure operating range	20 - 200 psi (1,5 - 14 bar)
Maximum outlet pressure	8,000 psi (560 bar)
Air motor effective diameter	4 1/2" (115 mm)
Air motor stroke	4" (100 mm)
Air consumption (1)	26.5 scfm (750 NI/min)
Air inlet	1/2" NPTF
Fluid outlet	1/2" NPTF
Wetted and seal materials	Cast Iron / Steel / Hard chromed steel / UHMW PE / NBR / PTFE
Noise level (2)	80 dB
Manual	853 814

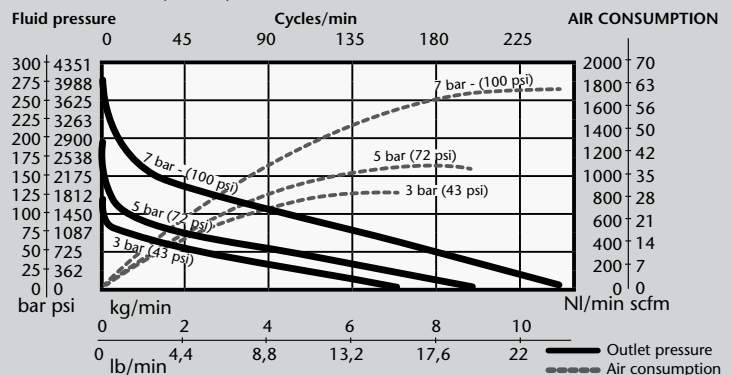
(1) Air consumption at 70 psi (5 bar) air pressure, NLGI-2 grease at 68 °F (20 °C) and 80 cpm.

(2) Noise level measured at 3' (1 m) from the pump, 100 psi (7 bar) air pressure and free delivery.

DIMENSIONS Inches - (mm)			
PART No.	531 411	531 421	531 431*
A	53 1/4" (1.357)	45 1/4" (1.152)	38 3/4" (992)
B	19 3/4" (502)	19 3/4" (502)	19 3/4" (502)
C	2" (50)	2" (50)	2" (50)
D	33 1/2" (855)	25 1/2" (650)	19" (490)
E	-	-	16" (410)



NLGI-2, 70 °F (21 °C) CAPACITY CURVE



PUMPMASTER 45 - 70:1 RATIO GREASE PUMPS



HEAVY-DUTY HIGH PRESSURE PUMPS

PM45 HEAVY-DUTY SERIES

02

GREASE PUMPS

High pressure double acting pump for use in applications requiring extra pressure output due to cold temperatures or when low air pressure could limit pump performance. Pumps can be used with grease up to NLGI-2 viscosity. These pumps can be used in large distribution systems that include simultaneous operation outlets.

Pumps are available for cover mount to 120 lb (50 kg) and 400 lb (185 kg) open drums and for horizontal and side mount on grease totes, bags and tanks.

FLUIDS HANDLED

- Grease up to NLGI-2.

MARKETS SERVED

- Heavy-Duty service shops.
- Fleets.
- Lube trucks.
- Mining and construction.
- Railroad and mass transit.
- In-plant.
- Marine



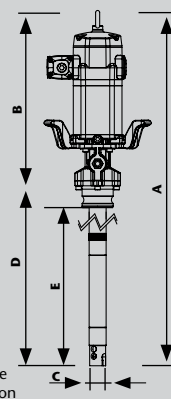
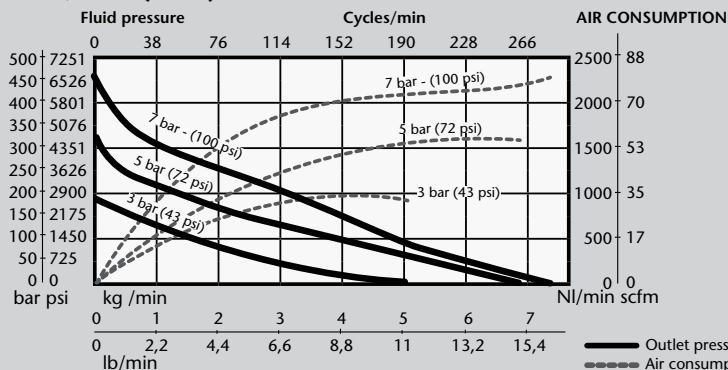
MODELS		
PART No.	APPLICATION	WEIGHT
531 711	400 lb (185 kg) drum, flange mounted	55 lb (25 kg)
531 721	120 lb (50 kg) keg, flange mounted	48.5 lb (22 kg)
531 731*	Bulk tote	46.3 lb (21 kg)

* Includes adaptor 753 110 to fit a 3" cam-lock connector for use with totes, grease bags and tanks.

TECHNICAL DATA	
Pump ratio	70:1
Continuous duty flow rate	4.5 lb/min (2 kg/min)
Maximum free flow	16.5 lb/min (7,5 kg/min)
Air pressure operating range	20 - 100 psi (1,5 - 7 bar)
Maximum outlet pressure	7,000 psi (490 bar)
Air motor effective diameter	4 1/2" (115 mm)
Air motor stroke	4" (100 mm)
Air consumption (1)	33 scfm (925 NI/min)
Air inlet	1/2" NPTF
Fluid outlet	1/2" NPTF
Wetted and seal materials	Cast Iron / Steel / Hard chromed steel / UHMW PE / NBR / PTFE
Noise level (2)	80 dB
Manual	853 815

(1) Air consumption at 70 psi (5 bar) air pressure, NLGI-2 grease at 68 °F (20 °C) and and 80 cpm.
 (2) Noise level measured at 3' (1 m) from the pump, 100 psi (7 bar) air pressure and free delivery.

NLGI-2, 70 °F (21 °C) CAPACITY CURVE



DIMENSIONS Inches - (mm)			
PART No.	531 711	531 721	531 731*
A	53 1/4" (1.357)	45 1/4" (1.152)	39" (992)
B	19 3/4" (502)	19 3/4" (502)	19 3/4" (502)
C	2" (50)	2" (50)	2" (50)
D	33 1/2" (855)	25 1/2" (650)	19 1/4" (490)
E	-	-	16 1/4" (410)

Moderate pressure, very high volume double acting grease pump for use in transfer applications. These pumps can be used with all types of grease up to NLGI-2.

Pumps are available for horizontal mounting on grease totes and grease bags and they include an adaptor to fit a 3" cam-lock adaptor. They can be used with 400 lb (185 kg) drums when mounted to air pneumatic inductor (see "Grease pump systems" section in this chapter.)



FLUIDS HANDLED

- Grease up to NLGI-2.

MARKETS SERVED

- Mining and construction.
- In-plant grease transfer.
- Railroad and mass transit.

MODELS		
PART No.	APPLICATION	WEIGHT
532 131*	Bulk tote, includes 3" cam-lock adaptor	39 lb (19 kg)

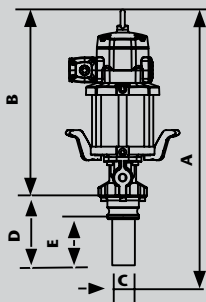
* Includes adaptor 753 110 to fit a 3" cam-lock connector for use with totes, grease bags and tanks.

TECHNICAL DATA	
Pump ratio	12:1
Continuous duty flow rate	33 lb/min (15 kg/min)
Maximum free flow	88 lb/min (40 kg/min)
Air pressure operating range	20 - 100 psi (1,5 - 7 bar)
Maximum outlet pressure	1,200 psi (84 bar)
Air motor effective diameter	6" (150 mm)
Air motor stroke	4" (100 mm)
Air consumption (1)	39 scfm (1.100 NI/min)
Air inlet	1/2" NPTF
Fluid outlet	1" NPTF
Wetted and seal materials	Cast Iron / Steel / Hard chromed steel / UHMWPE / NBR / PTFE / Polyurethane
Noise level (2)	80 dB
Manual	853 816

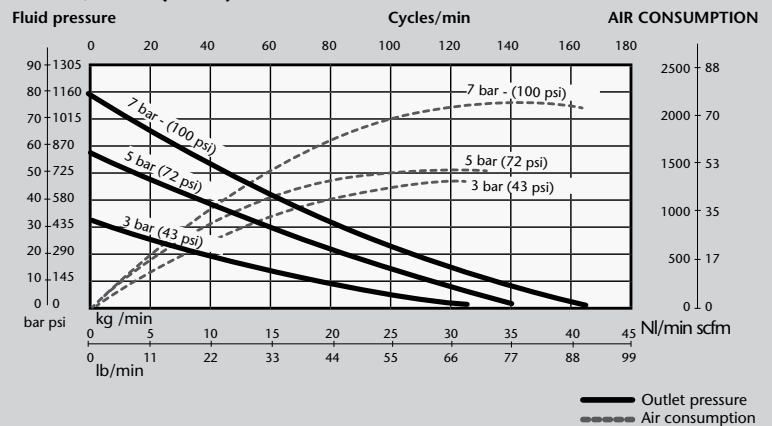
(1) Air consumption at 70 psi (5 bar) air pressure, NLGI-2 grease at 68 °F (20 °C) and 60 cpm.
 (2) Noise level measured at 3' (1 m) from the pump, 100 psi (7 bar) air pressure and free delivery.



DIMENSIONS Inches - (mm)	
PART No.	532 131
A	29" (742)
B	20" (516)
C	2 3/4" (70)
D	9" (226)
E	5 3/4" (146)



NLGI-2, 70 °F (21 °C) CAPACITY CURVE



PUMPMASTER 60 - 80:1 RATIO GREASE PUMPS



HEAVY-DUTY HIGH PERFORMANCE PUMPS

PM60 HEAVY-DUTY SERIES

02

GREASE PUMPS

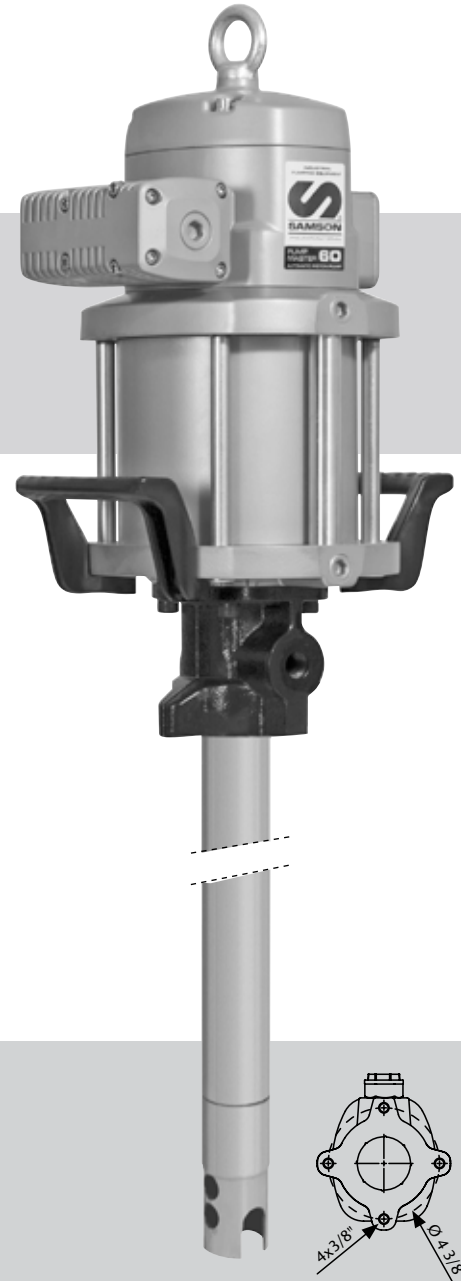
Very high pressure and high volume delivery double acting pump for use in applications that require extra pressure and volume output and where cold temperatures or low air pressure could limit pump performance. Pumps can be used with grease up to NLGI-2 viscosity. These pumps can be used in large distribution systems that include simultaneous operation outlets. Pumps are available for cover mount to 120 lb (50 kg) and 400 lb (185 kg) open drum.

FLUIDS HANDLED

- Grease up to NLGI-2.

MARKETS SERVED

- Mining and construction.
- In-plant.
- Railroad and mass transit.
- Lube trucks.
- Fleets.

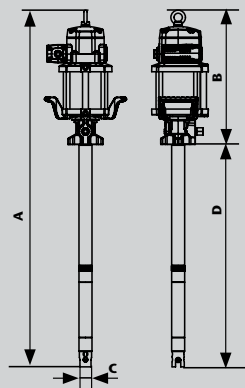
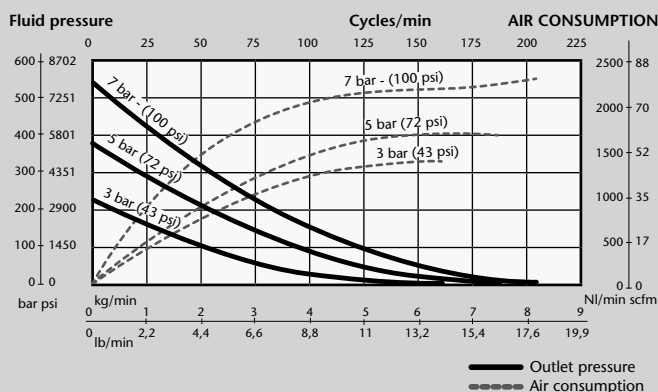


MODELS		
PART No.	APPLICATION	WEIGHT
532 811	400 lb (185 kg) drum, flange mounted	60 lb (27 kg)
532 821	120 lb (50 kg) keg, flange mounted	53 lb (24 kg)

TECHNICAL DATA	
Pump ratio	80:1
Continuous duty flow rate	5.5 lb/min (2,5 kg/min)
Maximum free flow	17.6 lb/min (8 kg/min)
Air pressure operating range	20 - 100 psi (1,5 - 7 bar)
Maximum outlet pressure	8,000 psi (560 bar)
Air motor effective diameter	6" (150 mm)
Air motor stroke	4" (100 mm)
Air consumption (1)	35 scfm (1.000 NI/min)
Air inlet	1/2" NPTF
Fluid outlet	1/2" NPTF
Wetted and seal materials	Cast Iron / Steel / Hard chromed steel / UHMW PE / NBR / PTFE
Noise level (2)	80 dB
Manual	853 819

(1) Air consumption at 70 bar (5 bar) air pressure, NLGI-2 grease at 68 °F (20 °C) and 60 cpm.
 (2) Noise level measured at 3' (1 m) from the pump, 100 psi (7 bar) air pressure and free delivery.

NLGI-2, 70 °F (21 °C) CAPACITY CURVE



DIMENSIONS Inches - (mm)		
PART No.	532 811	532 821
A	53 1/2" (1.371)	45 1/2" (1.166)
B	20" (516)	20" (516)
C	2" (50)	2" (50)
D	33 1/2" (855)	25 1/2" (650)

PUMPMASTER 45 PUMP SYSTEMS

PM45 pump systems for 120 and 400 lb (50 and 185 kg) drums, totes and grease bins.



534 711

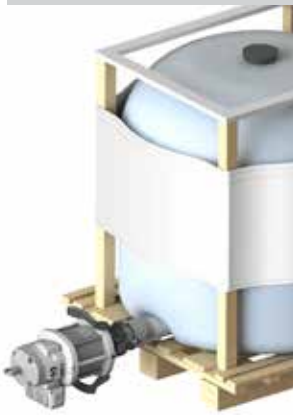
	KIT PART No.	PUMP	RATIO	COVER	FOLLOWER PLATE	CONNECTION KIT	CAMLOCK FEMALE	CAMLOCK MALE
120 lb (50 kg) KEG MOUNTED PUMP KIT	534 420	531 421	40:1	418 017	417 011	534 103	-	-
	534 720	531 721	70:1	418 017	417 011	534 103	-	-
400 lb (185 kg) DRUM MOUNTED PUMP KIT	534 410	531 411	40:1	418 026	417 009	534 103	-	-
	534 710	531 711	70:1	418 026	417 009	534 103	-	-
	534 210	531 211	25:1	418 026	417 009	534 103	-	-
TANK SIDE MOUNTED PUMP KIT	534 240	531 211	25:1	-	-	534 103	950 358	753 110
	534 440	531 411	40:1	-	-	534 103	950 358	753 110
	534 740	531 711	70:1	-	-	534 103	950 358	753 110
TANK HORIZONTAL MOUNTED PUMP KIT	534 441	531 431	40:1	-	-	534 103	950 358	(1)
	534 741	531 731	70:1	-	-	534 103	950 358	(1)

1) Included with pump.

SAMSON recommends using an air filter and pressure regulator at the pump air inlet and a high pressure needle valve between the grease delivery hose and the grease distribution line.

PUMPMASTER 60 PUMP SYSTEMS

PM60 pump systems for 120 lb (50 kg) and 400 lb (185 kg) drum, tote and grease bin mounting.

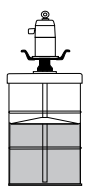


534 141

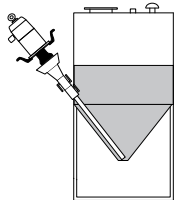
	KIT PART No.	PUMP	RATIO	COVER	FOLLOWER PLATE	CONNECTION KIT	CAMLOCK FEMALE	CAMLOCK MALE
120 lb (50 kg) KEG MOUNTED PUMP KIT	534 820	532 821	80:1	418 017	417 011	534 103	-	-
400 lb (185 kg) DRUM MOUNTED PUMP KIT	534 810	532 811	80:1	418 026	417 009	534 103	-	-
TANK SIDE MOUNTED PUMP KIT	534 840	532 811	80:1	-	-	534 103	950 358	753 110
TANK HORIZONTAL MOUNTED PUMP KIT	534 141	532 131	12:1	-	-	539 009	950 358	(1)

(1) Included with pump.

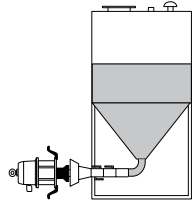
SAMSON recommends using an air filter and pressure regulator at the pump air inlet and a high pressure needle valve between the grease delivery hose and the grease distribution line.



Drum mounted pump



Tank side mount pump



Tank horizontal mount pump

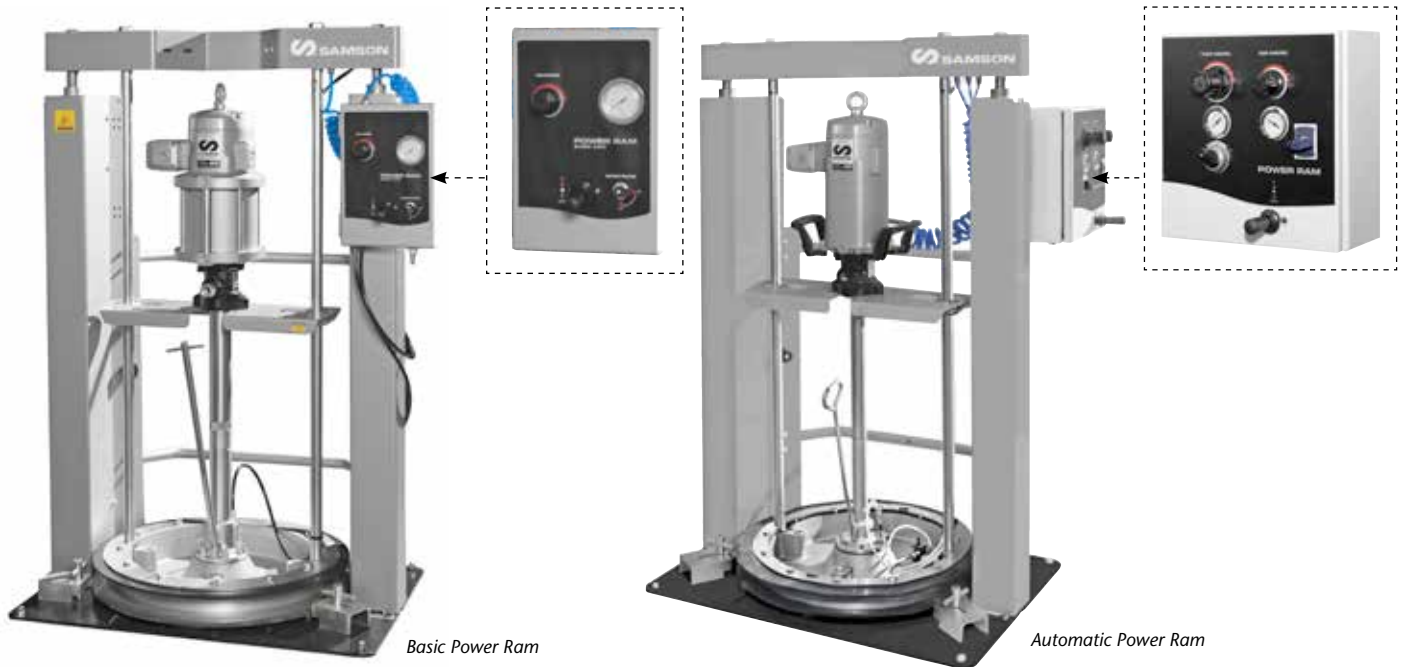
391 022

PUMP HOIST

Part No. 391 022

Maximum utility air operated hoist lifts and lowers pump, making drum changes easier, faster and safer. Hoist arm adjusts to fit different pump heights and swings a full 360°, serving one or more pumps. It can be used with 400 lb and 120 lb drums. For use with PM45 and PM60 pumps. Maximum height raised: 104". Minimum height lowered: 64".





PumpMaster 45 and PumpMaster 60 grease pumps mounted onto an air operated inductor plate for use with high viscosity, hard to pump greases directly from 400 lb drum.

When the double lip inductor plate is attached to the lower end of the pump tube, it exerts pneumatic, weight and atmospheric pressure on the material forcing pump priming. The inductor plate also serves as protection against contaminants and eliminates material waste.

There are two Power Ram models. The **BASIC Power Ram** includes:

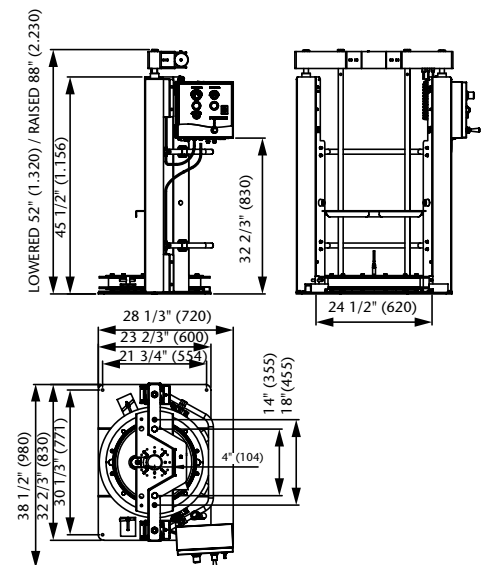
- Follower plate with double Buna-N lip seals guide rods
 - Platform base with drum retainers.
 - Controls for raising and lowering the inductor plate with pressure regulator.
 - Ball valve for releasing the vacuum manually when the plate is removed from an empty drum.
 - Pump adapter for fixing the pump to the follower plate
- Pump air connection accessories are not included.

The **AUTOMATIC Power Ram** includes the same features as the Basic model plus:

- Pump air connection accessories.
- On / Off control of the pump.
- Up / Down control of the ram for easy drum exchange.
- Two independent air pressure regulators, one for the pump and the other for the power ram cylinders.
- Pump / Ram independent air pressure gauge.
- Automatic empty drum pump shut-off safety feature.
- Automatic Vacuum release.

PART No. WITH BASIC POWER RAM	PART No. WITH AUTOMATIC POWER RAM	PUMP INCLUDED
534 421A	534 421	PM45 - 40:1, Part No. 531 421
534 721A	534 721	PM45 - 70:1, Part No. 531 721
534 121A	534 121	PM60 - 12:1, Part No. 532 121
534 821A	534 821	PM60 - 80:1, Part No. 532 821

Dimensions in inches (mm)





PumpMaster 35, PumpMaster 45 and PumpMaster 60 grease pumps mounted onto a gravity fed follower plate and an air operated pump hoist for use with 400 lb drums.

The air operated pump hoist lifts and lowers the pump, making drum changes easier, faster and safer. The pump lower end is rigidly fixed to a follower plate with a single rubber lip. The weight of the pump, pump bracket and follower plate plus the atmospheric pressure push the assembly against the fluid eliminating channeling and air pockets, keeping lubricant free from contaminants, minimizing waste and aiding pump priming.

Part No. 534 611

PM35 - 60:1 pump system with pump hoist and gravity follower plate for 400 lb drums

Includes pump 530 621, pump hoist with follower plate, pump adapter kit and air and grease connection hose kit Part No.: 901

Part No. 534 411

PM45 - 40:1 pump system with pump hoist and gravity follower plate for 400 lb drums

Includes pump 531 411, pump hoist with follower plate, pump adapter kit and air and grease connection hose kit Part No.: 534 103

Part No. 534 711

PM45 - 70:1 pump system with pump hoist and gravity follower plate for 400 lb drums

Includes pump 531 711, pump hoist with follower plate, pump adapter kit and air and grease connection hose kit Part No.: 534 103

Part No. 534 811

PM60 - 80:1 pump system with pump hoist and gravity follower plate for 400 lb drums

Includes pump 532 811, pump hoist with follower plate, pump adapter kit and air and grease connection hose kit Part No.: 534 103



Recommended accessories:

Part No. 901

PM35 grease pump hose connection kit.

Part No. 534 103

PM45 and PM60 grease pump hose connection kit.

Part No. 957

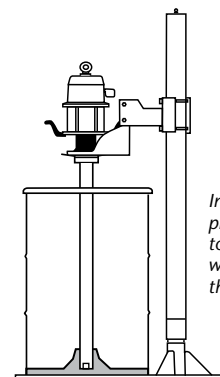
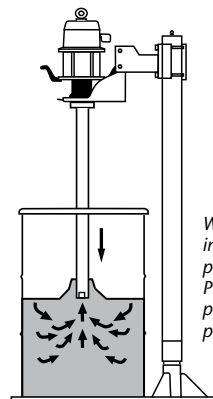
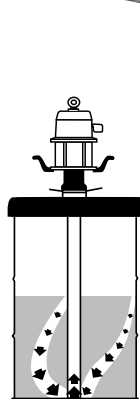
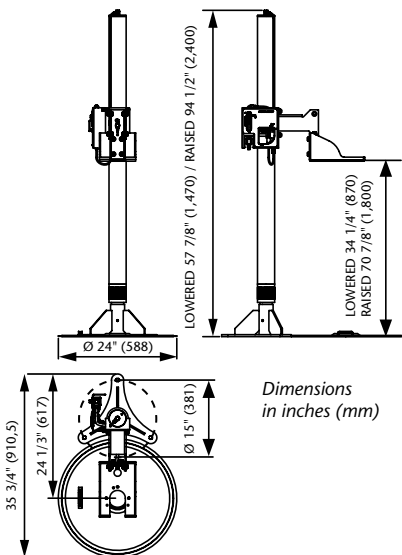
Air filter regulator combo 3/8" NPT. For mounting at PM35 pump air inlet.

Part No. 958

Air filter regulator combo 1/2" NPT. For mounting at the PM45 and PM60 pumps air inlet.

Part No. 399 101

Steel mounting plate for 400 lb drums, includes drum retainers. Needs to be secured to the floor. Dimensions: 31 1/2" x 35 1/2" x 1 13/32" (800 x 900 x 36mm).





Part No. 534 321

3:1 pressure ratio pump with a PM60 air motor for very high volume of grease through short hoses with a minimum I.D. of 1 1/2". Pump is mounted to an air operated double post inductor allowing the end user to empty a 400 lb drum in less than three minutes (NLGI-2 grease at 70 °F, 100 psi air inlet pressure and a 2" delivery hose).

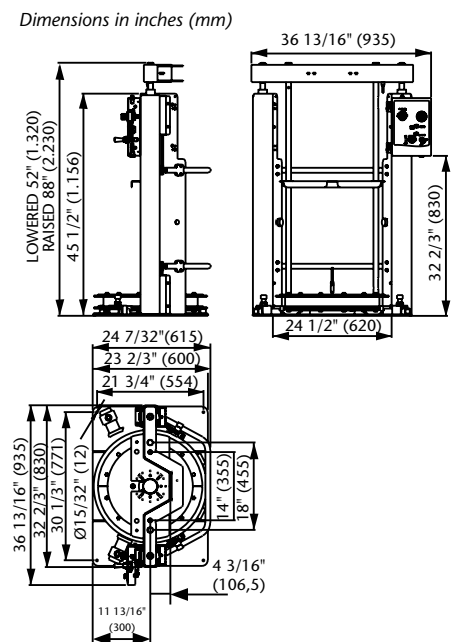
The air operated inductor includes a follower plate with double Buna-N lip seals, guide rods, drum retainers, controls for lowering and raising the follower plate with pressure regulator, and a valve for manually releasing the vacuum when the follower plate is removed from an empty drum. Pump air connection accessories are not included.

TECHNICAL DATA	
Pump pressure ratio	3:1
Maximum free flow	330 lb/min (150 Kg/min)
Continuous duty flow rate at 80 cpm	132 lb/min (60 Kg/min)
Air pressure operating range	30 to 100 psi (2 to 7 bar)
Maximum outlet pressure	300 psi (21 bar)
Air motor effective diameter	6" (150 mm)
Air motor stroke	4" (100 mm)
Air consumption ⁽¹⁾	44 scfm (1.250 NI/min)
Air inlet	1/2" NPT (F)
Fluid outlet	2" NPT (F)
Wetted and seal materials	Steel / Hard chromed steel / Zinc plated steel / Aluminum / PTFE / NBR / FKM / PU / Nickel plated aluminum

(1) Air consumption at 70 psi air pressure, NLGI-2 grease at 68 °F and 60 cpm.

SAMSON recommends using an air filter and air pressure regulator at the pump air inlet. Use 1/2" air accessories to obtain pump maximum performance.

For higher delivery, always use the shortest possible delivery hose with the largest i.d. possible.



GREASE PUMP ACCESSORIES HOSE CONNECTION KITS, COVERS, AND FOLLOWERS

02

PUMPMASTER 35 - 60:1



Pump not included.

Part No. 901

High pressure hose installation hook-up connection kit for **PumpMaster 35 - 60:1** grease pump.

Includes the following:

- Part No. 813: 5' air hose, 3/8" NPTM both ends.
- Part No. 930F06: Quick air coupler, 3/8" NPTF.
- Part No. 933M06: Quick air nipple, 3/8" NPTM.
- Part No. 884: 5' high pressure 3/8" hose, 3/8" NPTM both ends.

Recommended option:

Part No. 957: Air filter regulator combo, 3/8" NPT (F).

All air and grease hoses have one swivel end.

PUMPMASTER 45 & PUMPMASTER 60



Pump not included.

Part No. 534 103

High pressure hose installation hook-up connection kit for **PumpMaster 45 and PumpMaster 60** high pressure grease pumps.

Includes the following:

- Part No. 823: 5' air hose, 1/2" NPTM both ends.
- Part No. 938F08: Quick air coupler, 1/2" NPTF.
- Part No. 947M08: Quick air nipple, 1/2" NPTM.
- Part No. 884: 5' high pressure 3/8" hose, 3/8" NPTM both ends.
- Part No. 1981: 90° swivel, 1/2" NPTF x 1/2" NPTM.
- Part No. 1979: 90° swivel, 1/2" NTPM x 3/8" NPSM (F).

Recommended option:

Part No. 958: Air filter regulator combo, 1/2" NPT (F).

All air and grease hoses have one swivel end.

PUMPMASTER 60 - 12:1



Pump not included.

Part No. 539 009

Medium pressure hose installation hook-up connection kit for **PumpMaster 60 - 12:1** high delivery, medium pressure grease pumps.

Includes the following:

- Part No. 823: 5' air hose, 1/2" NPTM both ends.
- Part No. 938F08: Quick air coupler, 1/2" NPTF.
- Part No. 947M08: Quick air nipple, 1/2" NPTM.
- Part No. 863: 5' medium pressure 1" hose, 1" NPTM both ends.
- Part No. 1981: 90° swivel, 1/2" NPTF x 1/2" NPTM.

Recommended option:

Part No. 958: Air filter regulator combo, 1/2" NPT (F).

All air and grease hoses have one swivel end.

DRUM COVERS AND HEAVY-DUTY DRUM COVERS



2" NPTF bung opening, allows mounting a **PumpMaster 3** or a **PumpMaster 35** pump to an open top 35 lb pail, 120 lb keg or a 400 lb drum.

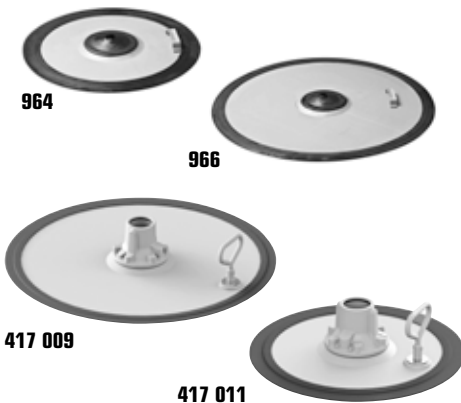
- Part No. 1934** Drum cover for 35 lb pails.
- Part No. 1936** Cover for 120 lb kegs.
- Part No. 1938** Cover for 400 lb open top drums.

Allows mounting a flange mounted **PumpMaster 45** or **PumpMaster 60** pump to an open top drum.

- Part No. 418 017** Heavy-duty cover for 120 lb kegs.
- Part No. 418 026** Heavy-duty cover for 400 lb open top drums.
- Part No. 360 133** Converter for flange type drum cover.

Converts flange mount to standard 2" NPTF bung opening, thus permits the use of bung mounted type pumps with Heavy-Duty drum cover.

FOLLOWER PLATES



Standard-Duty follower plates for PumpMaster 3 and 35 pumps

- Part No. 962** Follower plate for 35 lb pails.
- Part No. 964** Follower plate for 120 lb kegs.
- Part No. 966** Follower plate for 400 lb drums.

Heavy-Duty follower plates for PumpMaster 45 and 60 pumps

- Part No. 417 011** Heavy-Duty follower plate for 120 lb kegs.
- Part No. 417 009** Heavy-Duty follower plate for 400 lb drums.

BUNG AND CAM-LOCK ADAPTORS



Part No. 2028
Bung adaptor for PM3 - 55:1 pressure ratio pumps.

Part No. 609 106
Bung adaptor for PM35 - 60:1 pressure ratio pumps.

Part No. 609 104
Bung adaptor for all PM45 grease pumps and for PM60 - 80:1 pressure ratio pump.

Part No. 753 110
3" cam-lock adaptor. Allows mounting PM45 and PM60 to tanks, totes and fluid bags fitted with a standard 3" Cam-Lock connection.

Part No. 950 358
3" cam-lock connector.

Part No. 244 901
Waterproof adaptor PM3 & PM35.

DOLLIES



Part No. 1302 (not shown)
Band type dolly for 35 lb pail.

Part No. 1304
Band Type dolly for 120 lb keg.

Part No. 1306
X-frame type dolly for 400 lb drum.

SHUT OFF VALVES



HIGH PRESSURE NEEDLE VALVES		MEDIUM PRESSURE BALL VALVES		LOW PRESSURE BALL VALVES	
10,000 psi		2,000 psi		600 psi	
Part No.		Part No.		Part No.	
2077	1/2" NPTF	2074	1/2" NPTF	2013	1/4" NPT F
2089	3/4" NPTF	2083	3/4" NPTF	2088	1/2" NPTF
2093	1" NPTF	2090	1" NPTF	2091	3/4" NPTF
		2082	1-1/2" NPTF	2084	1" NPTF

DRUM TROLLEYS



Part No. 1301
Two wheel trolley for 35 lb pails and 120 lb kegs.

Part No. 1303
Four wheel cart for 120 lb keg.

Part No. 1307
Standard-Duty platform truck for 400 lb drum. Not recommended for water based fluids.

Part No. 1305
Heavy-Duty 3 wheel platform truck for 400 lb drum. Swivel wheel with locking bracket and two pneumatic tires.

Part No. 1399
Mounting plate required for mounting a hose reel to truck part number 1305.

Part No. 1312
Platform base for kegs.

Part No. 360 135 (not shown)
Hose reel bracket for 1307 platform truck.

Part No. 360 134 (not shown)
Pump bracket for 1307 platform truck (require wall bracket specific to the pump being mounted).



GREASE PUMP MOUNTING ACCESSORIES QUICK REFERENCE CHART

PUMP	PUMPMASTER 3	PUMPMASTER 35	PUMPMASTER 45	PUMPMASTER 45	PUMPMASTER 45	PUMPMASTER 60	PUMPMASTER 60
RATIO	55:1	60:1	25:1	40:1	70:1	12:1 (1)	80:1
BUNG ADAPTOR	2028	609 106	609 104 (2)	609 104 (2)	609 104 (2)	-	609 104 (2)
CONNECTION HOSE KIT	412 910	901	534 103	534 103	534 103	539 009	534 103
DRUM COVER 400 LB	1938	1938	418 026	418 026	418 026	N/A	418 026
KEG COVER 120 LB	1936	1936	N/A	418 017	418 017	N/A	418 017
PAIL COVER	1934	1934	N/A	N/A	N/A	N/A	N/A
FOLLOWER PLATE 400 LB DRUM	966	966	417 009	417 009	417 009	N/A	417 009
FOLLOWER PLATE 120 LB KEGS	964	964	N/A	417 011	417 011	N/A	417 011
FOLLOWER PLATE 35 LB KEGS	962	962	N/A	N/A	N/A	N/A	N/A
SINGLE POST PUMP HOIST	N/A	N/A	N/A	391 022	391 022	N/A	391 022
CAM-LOCK ADAPTOR	N/A	N/A	N/A	753 110 (3)	753 110 (3)	753 110 (3)	753 110 (4)
CAM-LOCK CONNECTOR	N/A	N/A	N/A	950 358	950 358	950 358	N/A
AIR FILTER / REGULATOR	955	957	958	958	958	958	958
FRL	983	984	985	985	985	985	985
AIRLINE SHUTOFF VALVE	2088	2088	2088	2088	2088	2088	2088
FLUID SHUTOFF VALVE	2077	2077	2077	2077	2077	2093	2077
QUICK AIR COUPLER	930F04	930F06	938F08	938F08	938F08	938F08	938F08
QUICK AIR NIPPLE	933M04	933M06	947M08	947M08	947M08	947M08	947M08
AIR CONNECTION ACCESSORIES I.D.	1/4" - 6 mm	3/8" - 8 mm	1/2" - 12,5 mm	1/2" - 12,5 mm	1/2" - 12,5 mm	1/2" - 12,5 mm	1/2" - 12,5 mm

(1) PM60, 12:1 pump is only available for horizontal mount on tanks, totes and grease bags.

(2) For better pump efficiency, SAMSON recommends flange mounting these pumps to a drum cover.

(3) Included in short pumps for horizontal mount on tanks, totes and grease bags. Required for vertical mount on grease tanks (long pumps).

(4) For vertical mount on grease tanks only (long pumps).

03 AIR OPERATED PUMPS FOR OTHER SERVICE FLUIDS

- INNOVATIVE CENTRAL FLOW TECHNOLOGY 50
- DIRECTFLO® AND CLASSICFLO® PUMP COMPARATIVE CHART 51
- DIRECTFLO® SERIES 52
- DIAPHRAGM PUMP ACCESSORIES 58
- CLASSICFLO® DIAPHRAGM PUMPS 60
- ELECTRIC PUMPS FOR SPECIALTY FLUIDS 61
- AIR OPERATED SPECIALTY PISTON PUMPS FOR FLUIDS 62




directflo
 Central flow technology

INNOVATIVE CENTRAL FLOW TECHNOLOGY

Directflo® pumps are inside out pumps, the fluid is pumped through the center of the pump and compressed air acts on the outside face of the diaphragms.

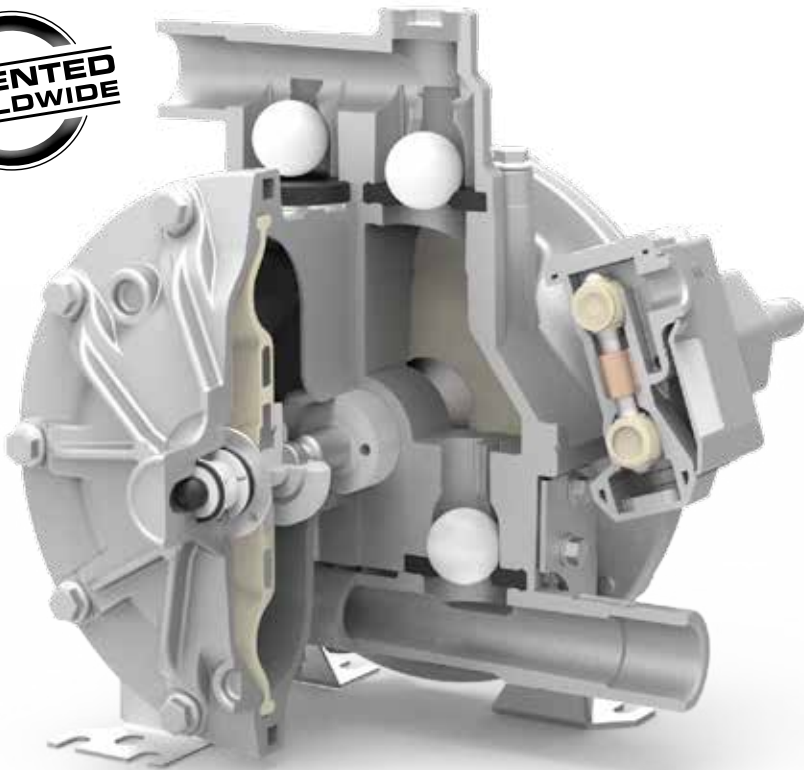
Important innovations were necessary to realize the central flow concept and, while developing Directflo®, further inventions were made that built on the central flow concept. A few highlights are described below.



03
OTHER FLUIDS
PUMPS



BETTER BY DESIGN



- QUICK AND SIMPLE MAINTENANCE
- REDUCED AIR CONSUMPTION
- COMPACT DESIGN
- SMOOTH RUNNING - LESS PULSATION
- SUPERIOR ALL-ROUND PUMPING PERFORMANCE
- SIMPLE, RELIABLE & DURABLE
- ROBUST

FLUIDS HANDLED

- Oils
- Antifreeze, coolant
- Windshield wash
- Hydraulic fluids
- Brake fluid
- Diesel
- AdBlue®/DEF
- Water
- Waste oil
- Waste antifreeze

Directflo® AND Classicflo® PUMP COMPARATIVE CHART



FLUIDS HANDLED

- Lubricants.
- Antifreeze.
- Windshield wash.
- Diesel.
- AdBlue® / DEF.
- Water.
- Waste fluids.

MARKETS SERVED

- Car and truck dealers.
- Construction, mining.
- Rail and mass transit.
- Lube trucks.
- Fleets.
- In-plant.
- Quick lubes.



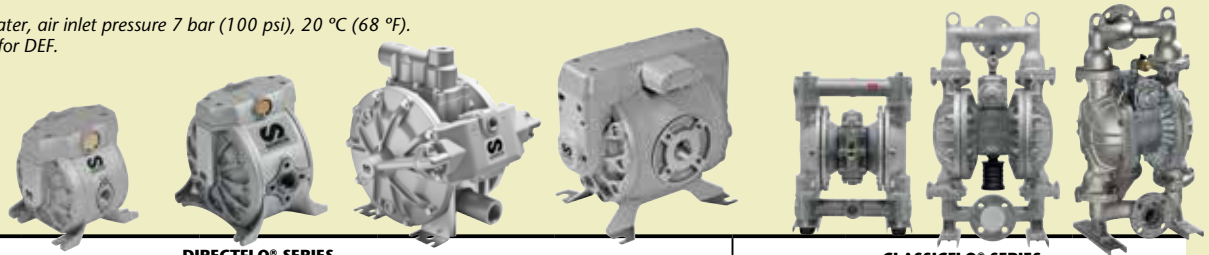
POLYPROPYLENE PUMPS

DIRECTFLO® SERIES

	DC20	DF30	DF50	DF100	DP200
PUMP PRESSURE RATIO	1:1	1:1	1:1	1:1	1:1
MAXIMUM FREE DELIVERY⁽¹⁾	5 gal/min (20 l/min)	10 US gal/min (38 l/min)	14 gal/min (50 l/min)	28 gal/min (100 l/min)	53 gal/min (200 l/min)
DELIVERY PER CYCLE APPROX. ⁽¹⁾	0.016 US gal (0,06 liters)	0.04 US gal (0,14 liters)	0.05 US gal (0,2 liters)	0.13 US gal (0,5 liters)	0.26 US gal (1 liter)
AIR PRESSURE OPERATING RANGE	22 to 100 psi (1,5 to 7 bar)	22 to 115 psi (1,5 to 8 bar)	22 to 115 psi (1,5 to 8 bar)	22 to 115 psi (1,5 to 8 bar)	22 to 115 psi (1,5 to 8 bar)
SOLIDS IN SUSPENSION MAXIMUM SIZE	3/32" (2 mm)	1/8" (3 mm)	1/8" (3 mm)	3/16" (4 mm)	1/4" (6 mm)
MAXIMUM DRY SUCTION HEAD⁽¹⁾	6 1/2' (2 m)	13' (4 m)	20' (6 m)	15' (4,5 m)	16' (5 m)
MAXIMUM WET SUCTION HEAD⁽¹⁾	23' (7 m)	26' (8 m)	26' (8 m)	23' (7 m)	26' (8 m)
WEIGHT	2.65 lb (1,2 kg)	4.19 lb (1,9 kg)	4.85 lb (2,2 kg)	11.24 (5,1 kg)	23.15 lb (10,5 kg)
FLUID INLET CONNECTION ⁽²⁾	Int.: 1/4" NPT/BSP (F) Ext.: 3/4" NPT (M)	1/2" NPT (F)	1/2" NPT (F)	1" NPT (F)	1" DIN PN-10 DN25 flange and ANSI B16.5 1" 150 lb flange
FLUID OUTLET CONNECTION ⁽²⁾	Int.: 1/4" NPT/BSP (F) Ext.: 3/4" NPT (M)	1/2" NPT (F)	1/2" NPT (F)	1" NPT (F)	1" DIN PN-10 DN25 flange and ANSI B16.5 1" 150 lb flange
AIR INLET CONNECTION	3/8" NPSM (F)	3/8" NPSM (F)	3/8" NPSM (F)	3/8" NPSM (F)	3/8" NPSM (F)
MANUAL	855 836	855 822	855 822	855 822	855 834

(1) Data measured with water, air inlet pressure 7 bar (100 psi), 20 °C (68 °F).

(2) BSPP thread in models for DEF.



METAL PUMPS

DIRECTFLO® SERIES

CLASSICFLO® SERIES

	DF50	DF100	DP200	DF250	2836	2835	2838	2840
PUMP PRESSURE RATIO	1:1	1:1	1:1	1:1	1:1 UL LISTED	1:1	1:1	1:1
MAXIMUM FREE DELIVERY⁽¹⁾	14 gal/min (50 l/min)	28 gal/min (100 l/min)	53 gal/min (200 l/min)	66 gal/min (250 l/min)	40 gal/min (150 l/min)	46 gal/min (175 l/min)	107 gal/min (400 l/min)	164 gal/min (620 l/min)
DELIVERY PER CYCLE APPROX.⁽¹⁾	0.05 US gal (0,2 liters)	0.13 US gal (0,5 liters)	0.26 US gal (1 liter)	0.32 US gal (1,2 liters)	0.22 US gal	0.22 US gal	0.73 US gal	1.12 US gal
AIR PRESSURE OPERATING RANGE	22 to 115 psi (1,5 to 8 bar)	22 to 115 psi (1,5 to 8 bar)	22 to 115 psi (1,5 to 8 bar)	22 to 115 psi (1,5 to 8 bar)	21 to 70 psi (1,4 to 5 bar)	21 to 100 psi (1,4 to 7 bar)	22 to 100 psi (1,5 to 7 bar)	23 to 100 psi (1,6 to 7 bar)
SOLIDS IN SUSPENSION MAXIMUM SIZE	1/8" (3 mm)	3/16" (4 mm)	1/4" (6 mm)	1/4" (6 mm)	3/16" (4 mm)	3/16" (4 mm)	9/32" (7,15 mm)	5/15" (8,5 mm)
MAXIMUM DRY SUCTION HEAD⁽¹⁾	20' (6 m)	15' (4,5 m)	16' (5 m)	16.4' (5 m)	N.A.	N.A.	N.A.	N.A.
MAXIMUM WET SUCTION HEAD⁽¹⁾	26' (8 m)	23' (7 m)	26' (8 m)	26' (8 m)	N.A.	18'	18'	19'
WEIGHT	7.72 lb (3,5 kg)	16 lb (7,2 kg)	25.35 lb (11,5 kg)	45 lb (20 kg)	20 lb	27 lb	65 lb	88 lb
FLUID INLET CONNECTION	1/2" NPSM (F)	1" NPT/BSP (F)	1" NPT/BSP (F)	1 1/2" NPT (F) and ANSI 1" B16.5 150 lb flange or 1 1/2" BSP (F) and DIN PN-10 DN40 flange	1" NPTF	1" NPTF	1 1/2" NPTF	Ansi flange and 2" NPTF
FLUID OUTLET CONNECTION	1/2" NPSM (F)	1" NPT/BSP (F)	1" NPT/BSP (F)	1 1/2" NPT (F) and ANSI 1" B16.5 150 lb flange or 1 1/2" BSP (F) and DIN PN-10 DN40 flange	1" NPTF	1" NPTF	1 1/2" NPTF	Ansi flange and 2" NPTF
AIR INLET CONNECTION	3/8" NPSM (F)	3/8" NPSM (F)	3/8" NPSM (F)	1/2" NPSM (F)	3/8" NPTF	3/8" NPTF	1/2" NPTF	1" NPTF
MANUAL	855 822	855 822	855 834	855 829	M002836	M00191	M00192	M00193

(1) Data measured with water, air inlet pressure 7 bar (100 psi), 20 °C (68 °F).

Product specifications are subject to change without prior notice

556 115

DC20 POLYPROPYLENE DIAPHRAGM PUMP. 5 GAL/MIN

Very compact and reliable polypropylene diaphragm pump for small volume transfer (5 gal/min max.), dosing and spraying a variety of fluids. Polypropylene body and air motor, and PTFE diaphragms and check valve balls for wider chemical compatibility.

03
OTHER FLUIDS
PUMPS



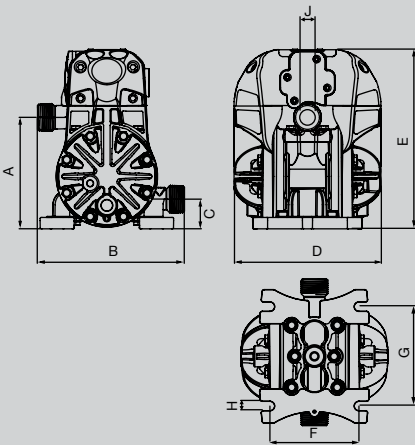
FLUIDS HANDLED

- Antifreeze and antifreeze solutions
- Windshield wash solutions
- Detergents
- AdBlue®/DEF

MARKETS SERVED

- Service shops
- Car dealers
- In plant
- Agriculture

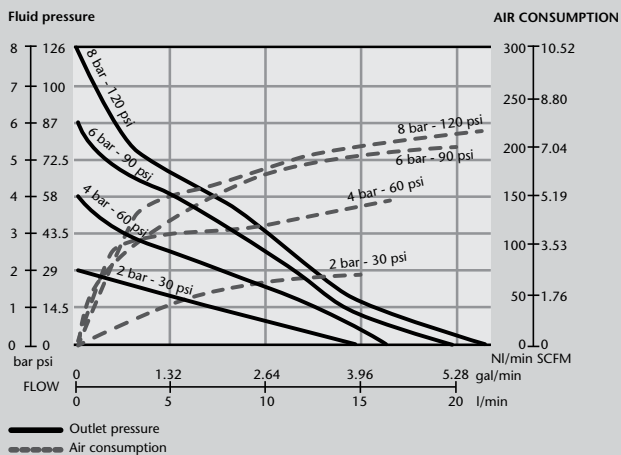
MODELS						
PART No.	PUMP BODY	DIAPHRAGMS	BALLS	SEATS	OTHER WETTED MATERIAL	APPLICATIONS
556 115	Polypropylene	PTFE	PTFE	Polypropylene	Viton®	Antifreeze and Windshield wash solutions, detergents, AdBlue®/DEF



DIMENSIONS Inches

A	B	C	D	E
4 1/4	5 19/32	1 9/64	5 19/32	6 13/16
F	G	H	J	
3 25/64	3 25/32	23/64	1/4 - 3/4 (F)	

Tested at room temperature, with water and flooded pump with 31.5" (800 mm) height of water above the pump inlet.



DF30 POLYPROPYLENE DIAPHRAGM PUMPS. 10 GAL/MIN

553 164

Very compact and reliable polypropylene diaphragm pumps for medium to small volume transfer (10 gal/min), dosing, spraying and dispensing a variety of fluids.

Typical applications are transferring and dispensing Windshield wash and antifreeze solutions, pure Windshield wash and AdBlue®/DEF.

They can be used as stand-alone pumps for transfer applications or as system pumps in small distribution systems that include hose reels.



03
OTHER FLUIDS
PUMPS

FLUIDS HANDLED

- Antifreeze and antifreeze solutions
- Windshield wash solutions
- Detergents
- AdBlue®/DEF

MARKETS SERVED

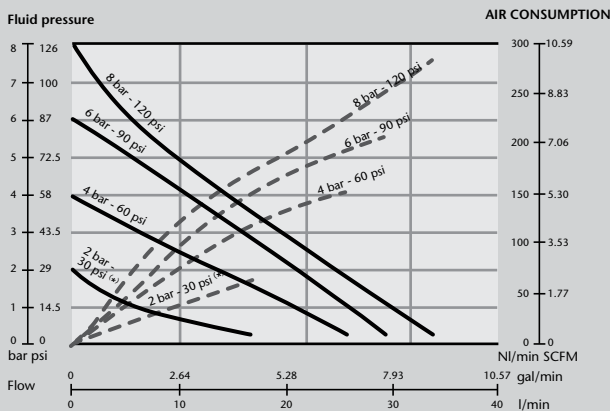
- Service shops
- Car and truck dealers
- In plant
- Agriculture

MODELS						
PART No.	PUMP BODY	DIAPHRAGMS	BALLS	SEATS	OTHER WETTED MATERIAL	APPLICATIONS
553 164	Polypropylene	Hytrel®	Hytrel®	Stainless steel	Viton®	Antifreeze and Windshield wash solutions
553 164A	Polypropylene	Hytrel®	PTFE	Stainless steel	Viton®	BSP threads, special model for DEF

553 124 Dual inlet pump

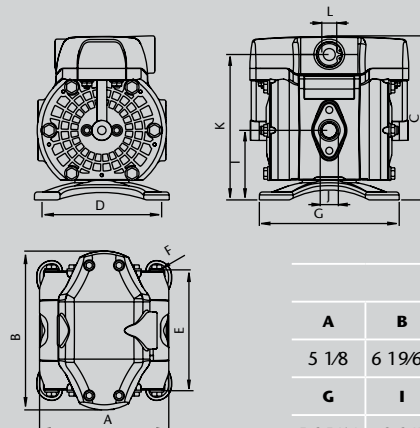
Same as pump 553 164 except with 2 x 3/8" NPT (F) dual inlet for 1:1 ratio mixing of fluids with similar viscosities.

Tested at room temperature, with water and flooded pump with 31.5" (800 mm) height of water above the pump inlet.



(*) 2 bar test with a PTFE (Teflon®) diaphragm pump.

— Outlet pressure
- - - - Air consumption



DIMENSIONS Inches					
A	B	C	D	E	F*
5 1/8	6 19/64	6 1/2	4 9/64	4 51/64	5/16
G	I	J	K	L	
5 35/64	2 3/4	1/2 (F)	5 3/4	3/8 (F)	

* Diameter of the holes for fasteners in each of the four pump feet.

DIRECTFLO® SERIES

552 164 / 552 030

DF50 POLYPROPYLENE OR METAL DIAPHRAGM PUMPS. 14 GAL/MIN

03
OTHER FLUIDS
PUMPS



Very compact and reliable diaphragm pumps for medium volume transfer (14 gal/min max.), dosing, spraying and dispensing a variety of fluids.

Typical applications for **polypropylene pumps** are transferring and dispensing of Windshield wash and antifreeze solutions, pure Windshield wash and AdBlue®/DEF.

Metal pumps have an Aluminum air motor. Typical applications for these pumps are transferring and dispensing of Windshield wash and antifreeze solutions; lubricants and diesel; and waste oil evacuation.

They can be used as stand-alone pumps for transfer applications or as systems pumps in distribution systems that include hose reels.



FLUIDS HANDLED

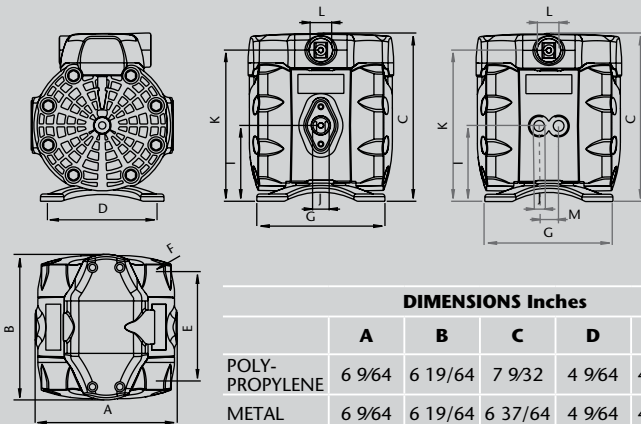
- Antifreeze and antifreeze solutions
- Windshield wash solutions
- Detergents
- AdBlue®/DEF
- Lubricants
- Waste oil

MARKETS SERVED

- Service shops
- Car and truck dealers
- In plant
- Agriculture
- Lube trucks

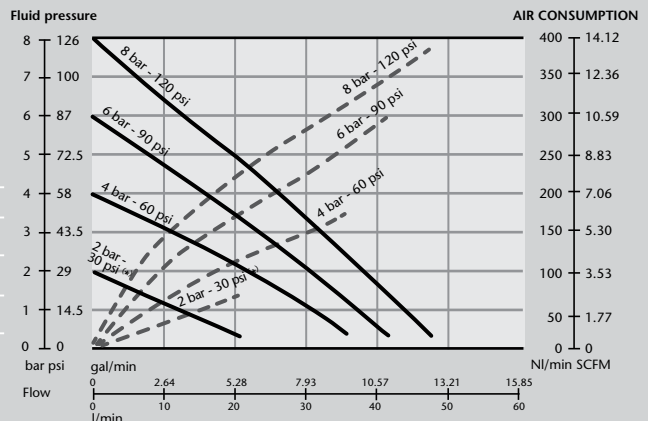
MODELS						
PART No.	PUMP BODY	DIAPHRAGMS	BALLS	SEATS	OTHER WETTED MATERIAL	APPLICATIONS
552 164	Polypropylene	Hytrel®	Hytrel®	Stainless steel	Viton®	Anti-freeze and windshield wash solutions
552 164A	Polypropylene	Hytrel®	Hytrel®	Stainless steel	Viton®	BSPP threads, special model for DEF
552 010	Aluminum	Hytrel®	Hytrel®	Stainless steel	Viton®	Antifreeze and Windshield wash solutions
552 030	Aluminum	Buna-N	Buna-N	Stainless steel	Buna-N	Antifreeze solutions, lubricants, waste fluids evacuation and transfer

552 124 Same as 552 164 except with 2 x 3/8" NPT (F) dual inlet for 1:1 ratio mixing of pumps with similar viscosities.



DIMENSIONS Inches						
	A	B	C	D	E	F*
POLY-PROPYLENE	6 9/64	6 19/64	7 9/32	4 9/64	4 51/64	5/16
METAL	6 9/64	6 19/64	6 37/64	4 9/64	4 51/64	5/16
	G	I	J	K	L	
POLY-PROPYLENE	5 35/64	3 17/64	1/2 (F)	6 17/32	3/8 (F)	
METAL	5 3/4	2 3/4	1/2 (F)	5 29/32	3/8 (F)	

Tested at room temperature, with water and flooded pump with 31.5" (800 mm) height of water above the pump inlet.



(*) 2 bar test with a pump fitted with PTFE (Teflon®) diaphragms. — Outlet pressure — Air consumption

* Diameter of the holes for fasteners in each of the four pump feet.

DIRECTFLO® SERIES



DF100 POLYPROPYLENE OR METAL DIAPHRAGM PUMPS. 28 GAL/MIN

551 164 / 551 030

Very compact and reliable diaphragm pumps for medium to large volume transfer (28 gal/min max.), dosing, spraying and dispensing a variety of fluids.

Typical applications for **polypropylene pumps** are transferring and dispensing of Windshield wash and antifreeze solutions, pure Windshield wash and AdBlue®/DEF.

Metal pumps have an aluminum air motor. Typical applications for these pumps are transferring and dispensing of Windshield wash and antifreeze solutions; lubricants and diesel; and waste oil evacuation.

They can be used as stand-alone pumps for transfer applications or as systems pumps in distribution systems that include hose reels.



03
OTHER FLUIDS
PUMPS

FLUIDS HANDLED

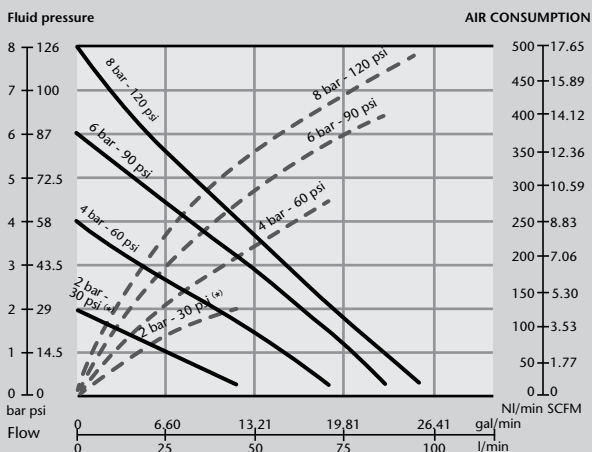
- Antifreeze and antifreeze solutions
- Windshield wash solutions
- Detergents
- AdBlue®/DEF
- Lubricants
- Waste oil
- Diesel

MARKETS SERVED

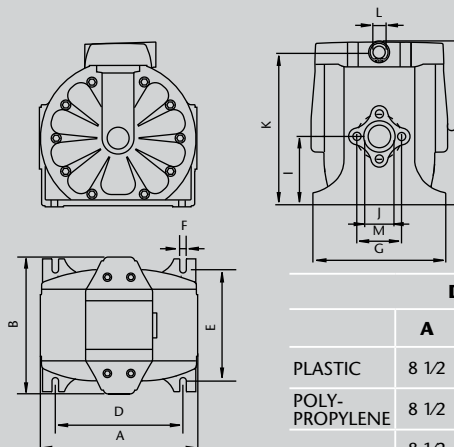
- Service shops
- Car and truck dealers
- In plant
- Agriculture
- Lube trucks
- Mining and construction
- Railroad and mass transit

MODELS						
PART No.	PUMP BODY	DIAPHRAGMS	BALLS	SEATS	OTHER WETTED MATERIAL	APPLICATIONS
551 164	Polypropylene	Hytrel®	Hytrel®	Stainless steel	Viton®	Antifreeze and Windshield wash solutions
551 164A	Polypropylene	Hytrel®	Hytrel®	Stainless steel	Viton®	BSP threads, special model for DEF
551 010	Aluminum	Hytrel®	Hytrel®	Stainless steel	Viton®	Antifreeze and Windshield wash solutions
551 030	Aluminum	Buna-N	Buna-N	Stainless steel	Buna-N	Antifreeze solutions, lubricants, diesel, waste oil evacuation and transfer

Tested at room temperature, with water and flooded pump with 31.5" (800 mm) height of water above the pump inlet.



(*) 2 bar test with a pump fitted with PTFE (Teflon®) diaphragms. — Outlet pressure
----- Air consumption



DIMENSIONS Inches

	A	B	C	D	E	F*
PLASTIC	8 1/2	8 37/64	9 1/16	6 57/64	6 1/16	5/16
POLY-PROPYLENE	8 1/2	6 19/64	8 15/16	6 57/64	6 1/16	23/64
	8 1/2	6 19/64	8 15/16	6 57/64	6 1/16	23/64
POLY-PROPYLENE	7 1/4	3 23/32	1 (F)	8 21/64	3/8 (F)	2 7/16
	METAL	7 1/4	3 23/32	1" (F)	8 17/64	3/8" (F)

* Diameter of the holes for fasteners in each of the four pump feet.
** Flange connection: 2 bolts - M 5 (1 39/64" between centers).

Product specifications are subject to change without prior notice

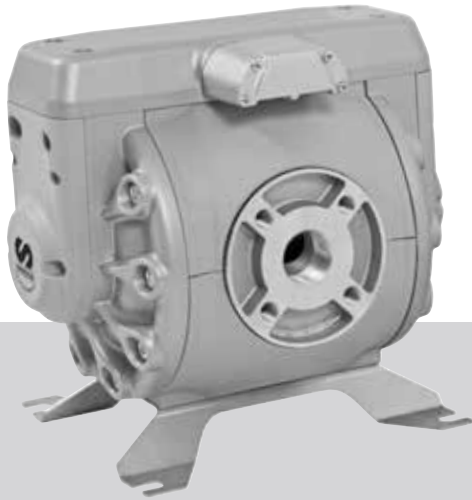
554 030

DF250 METAL DIAPHRAGM PUMPS. 66 GAL/MIN

Very reliable metal diaphragm pumps for large volume transferring (66 gal/min max.), dispensing and evacuating of a variety of fluids.

These pumps have an Aluminum air motor. Typical applications for these pumps are transferring and dispensing of antifreeze solutions, lubricants and diesel, and waste oil evacuation.

They can be used as stand-alone pumps for transfer applications or as systems pumps in distribution systems that include hose reels.



FLUIDS HANDLED

- Antifreeze and antifreeze solutions
- Lubricants
- Waste oil
- Diesel

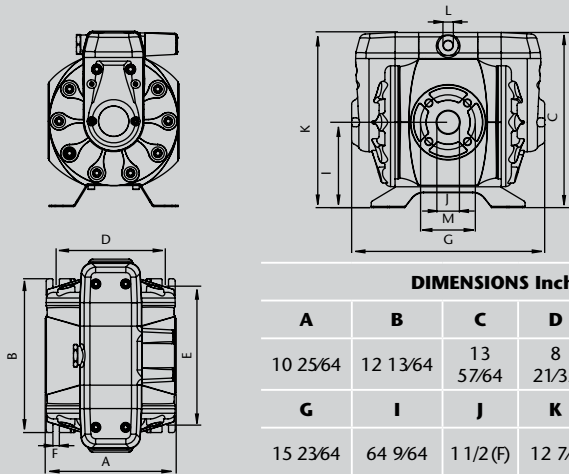
MARKETS SERVED

- Service shops
- Car and truck dealers
- In plant
- Agriculture
- Lube trucks
- Mining and construction
- Railroad and mass transit

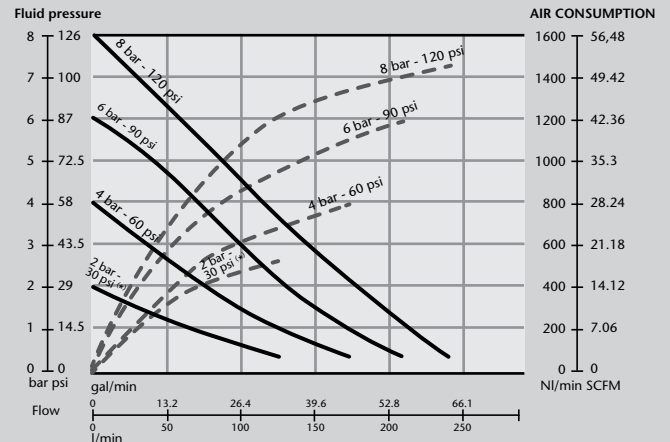
03
OTHER FLUIDS
PUMPS

MODELS						
PART No.	PUMP BODY	DIAPHRAGMS	BALLS	SEATS	OTHER WETTED MATERIAL	APPLICATIONS
554 010	Aluminum	Hytrel®	Hytrel®	Stainless steel	Viton®	Antifreeze solutions, lubricants
554 030	Aluminum	Buna-N	Buna-N	Stainless steel	Buna-N	Antifreeze solutions, lubricants, diesel, waste oil evacuation and transfer

Tested at room temperature, with water and flooded pump with 31.5" (800 mm) height of water above the pump inlet.



* Diameter of the holes for fasteners in each of the four pump feet.
 ** DIN PN-10 flange connection: 4 bolts - M 16 (4 1/6" between centers).
 ** ANSI B16.5 150 lb flange connection: 4 bolts - UNC 1/2" - 13 (3 7/8" between centers).



(*) 2 bar test with a TPE (Hytrel®) diaphragm pump.

DP200 POLYPROPYLENE OR METAL DIAPHRAGM PUMPS. 53 GAL/MIN

555 164 / 555 030

Very reliable diaphragm pumps for large volume transfer (53 gal/min max.), dosing, and dispensing a variety of fluids.

Typical applications for **polypropylene pumps** are transferring and dispensing of Windshield wash and antifreeze solutions and AdBlue®/DEF.

Metal pumps have an Aluminum air motor. Typical applications for these pumps are transferring and dispensing of antifreeze solutions, lubricants, diesel, and waste oil evacuation.

They can be used as stand-alone pumps for transfer applications or as systems pumps in distribution systems that include hose reels.

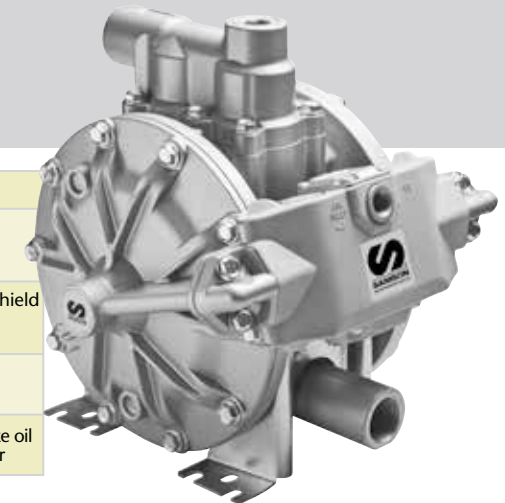
Pump inlet and outlet ports can be mounted in different positions for increased installation versatility.

FLUIDS HANDLED

- Antifreeze and antifreeze solutions
- AdBlue® / DEF
- Lubricants
- Waste oil
- Diesel
- Windshield wash solutions

MARKETS SERVED

- Service shops
- Car and truck dealers
- In plant
- Agriculture
- Lube trucks
- Mining and construction
- Railroad and mass transit

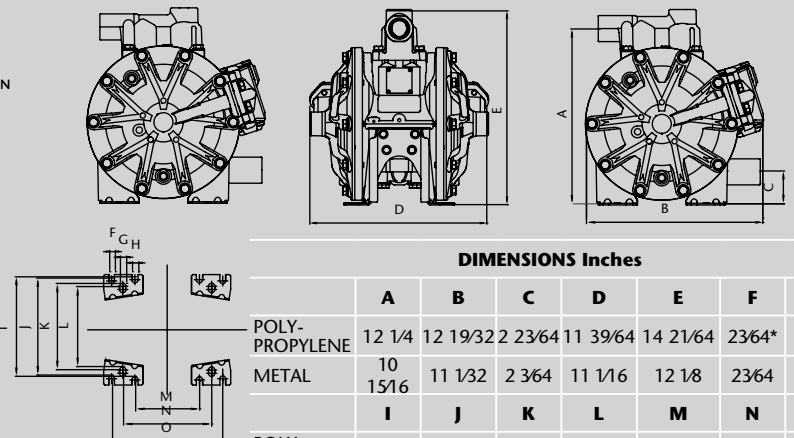
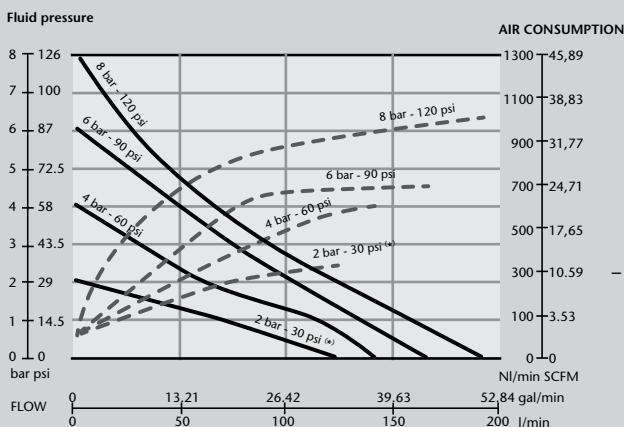


03
OTHER FLUIDS
PUMPS

MODELS						
PART No.	PUMP BODY	DIAPHRAGMS	BALLS	SEATS	OTHER WETTED MATERIALS	APPLICATIONS
555 164	Polypropylene	Hytrel®	PTFE	Polypropylene	Viton®, Stainless steel	Antifreeze and Windshield wash solutions, Ad Blue®/DEF
555 010	Aluminum	Hytrel®	Acetal	Hytrel®	Viton®, Stainless steel	Antifreeze solutions, lubricants
555 030	Aluminum	Buna-N	Acetal	Buna-N	Stainless steel	Lubricants, diesel, waste oil evacuation and transfer

Polypropylene pump 555 164 has flange connection only. Order kits 1940, one for pump inlet and one for pump outlet, separately.

Tested at room temperature, with water and flooded pump with 31.5" (800 mm) height of water above the pump inlet.



DIMENSIONS Inches							
	A	B	C	D	E	F	G/H
POLY-PROPYLENE	12 1/4	12 19/32	2 23/64	11 39/64	14 21/64	2364*	
METAL	10 15/16	11 1/32	2 3/64	11 1/16	12 1/8	2364	2564
	I	J	K	L	M	N	O
POLY-PROPYLENE				6 1/16		6 57/64	
METAL	6 7/32	6 1/16	5 25/64	13/64	4 1/64	5 33/64	6 57/64

(*) 2 bar test with a PTFE (Teflon®) diaphragm pump.

— Outlet pressure
- - - - Air consumption

* Diameter of the holes for fasteners in each of the four pump feet.

DIAPHRAGM PUMP ACCESSORIES

DIAPHRAGM PUMP WALL BRACKETS



- 360 100** Wall bracket for DF30 and DF50 pumps.
- 360 101** Wall bracket for DF100 pumps.
- 360 142** Wall bracket for DP200 pumps.
- 360 144** Wall bracket for DF250 pumps.
- 360 131** Wall bracket for pumps Part No. 2835 and 2836

DIAPHRAGM PUMP SUCTION KITS FOR LUBRICANTS



For use with 55 gallon drums, 44 - 48" tanks or 250 gallon IBCs.

367 005. Suction kit for DF100 and DF50 pumps.

Includes metal suction tube with foot valve and bung adaptor. 47" suction tube and 78" suction hose. Includes a 3/4" x 1" MM and a 3/4" x 1/2" MM connection adaptor for connecting to a DF100 or a DF50 pump.

367 007 Suction kit for DF250 and DP200 pumps.

Includes 47" x 1" metal suction tube with foot valve and bung adaptor and elbow for connecting to a 78" x 1" M suction hose.

DIAPHRAGM PUMP SUCTION KITS FOR WATER BASED FLUIDS

For use with 55 gal drums or 250 gallon IBCs. Not for use with lubricants.



367 020 Suction kit for DF30 and DF50 pumps.

Includes 60" x 1/2" EPDM suction hose, foot valve with filter and two 1/2" NPT (M) hose barb connector with clips.

367 021 Suction kit for DF100 and DP200 pumps.

Includes 60" x 1" EPDM suction hose, foot valve with filter and two 1" NPT (M) hose barb connector with clips.

DIAPHRAGM PUMP SUCTION KITS FOR WASTE FLUIDS

Kits include either a 3/4" Cam-lock and ball valve or a 3/4" hydraulic connector, 60" transparent, spring reinforced suction hose and a Y-strainer.



MODELS WITH HYDRAULIC CONNECTOR
367 022 Suction kit for DF50 pumps.

Includes 3/4" hydraulic connector, 60" x 3/4" suction hose, Y-strainer and connecting adaptors for mounting the assembly to a DF50 metal pump.

367 023 Suction kit for DF100 and DP200 pumps. Includes 3/4" hydraulic connector, 60" x 1" suction hose, Y-strainer and connecting adaptors for mounting the assembly to a DF100 or a DP200 metal pump.

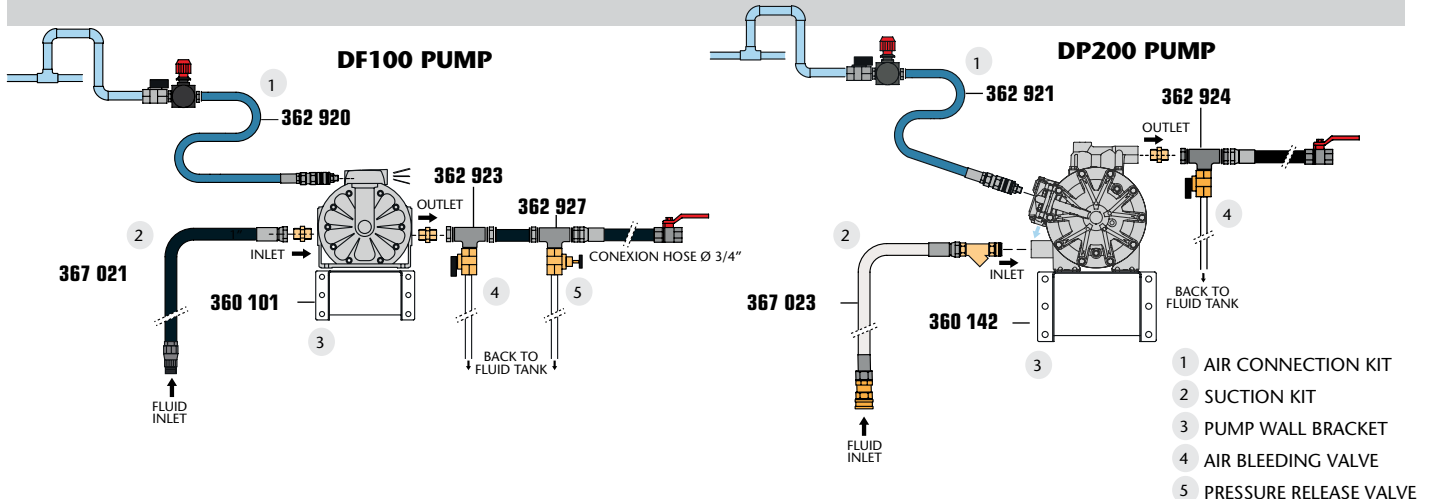


MODELS WITH CAM-LOCK CONNECTOR
367 024 Suction kit for DF100 and DP200 pumps.

Includes 3/4" Cam-lock and ball valve, 60" x 1" suction hose, Y-strainer and connecting adaptors for mounting the assembly to a DF100 or a DP200 metal pump.

367 025 Suction kit for DF250. Includes 3/4" Cam-lock and ball valve, 60" x 1" suction hose, Y-strainer and adaptors for mounting the assembly to a DF250 pump.

PUMP INSTALLATION EXAMPLES



DIAPHRAGM PUMP ACCESSORIES



DIAPHRAGM PUMP AIR CONNECTION KITS

Air connection kits include all components required for connecting a diaphragm pump to the air supply and an air pressure regulator for controlling pump speed.

362 920



362 920	362 921	362 922
Air connection kit for DF30, DF50 and DF100 pumps	Air connection kit for DP200 pumps	Air connection kit for DF250 pumps
INCLUDES		
Part No. 933M06, 3/8" NPT (M) air nipple	Part No. 936M06, 3/8" NPT (M) air nipple	Part No. 936M08, 1/2" NPT (M) air nipple
Part No. 930F04, 1/4" NPT (F) air coupler	Part No. 935F06, 3/8" NPT (F) air coupler	Part No. 935F06, 3/8" NPT (F) air coupler
Part No. 802, 5' x 1/4" air hose	Part No. 815, 5' x 3/8" air hose	Part No. 815, 5' x 3/8" air hose
Part No. 970, 1/4" air pressure regulator	Part No. 973, 3/8" air pressure regulator	Part No. 973, 3/8" air pressure regulator
Part No. 2051, 1/4" NPT (MM) connection adaptor	Part No. 2035, 3/8" x 1/2" NPT (MM) connection adaptor	Part No. 2035, 3/8" x 1/2" NPT (MM) connection adaptor
Part No. 2013, 1/4" NPT (FF) air valve	Part No. 2088, 1/2" NPT (FF) air valve	Part No. 2088, 1/2" NPT (FF) air valve

PRESSURE RELIEF VALVES

When connected to the pump outlet, it helps to prevent damage in the pump and in the distribution line caused by overpressure due to thermal expansion of the fluid. Pressure relief valves can be adjusted from 0 to 145 psi pressure.



Part No. 170 008

1/2" Pressure relief valve. For DF50 diaphragm pumps.

Part No. 107 016

1" Pressure relief valve. For DF100, DP200, 2835 and 2836 diaphragm pumps.

Part No. 170 024

1-1/2" Pressure relief valve. For DF250 and 2838 diaphragm pumps.

Part No. 170 032

2" Pressure relief valve. For 2840 diaphragm pumps.

DIRECTFLO® PUMP SILENCER



558 338

Part No. 558 405

Air exhaust connection kit. When placed at the air exhaust port instead of the standard air muffler, allows connecting a hose for air exhaust remote evacuation. Required when the pump is mounted submerged or when the air exhaust has to be vented outside the pump room. Connection thread: 3/8".

Part No. 558 338

Pump silencer. When placed at the pump air exhaust port instead of the standard air muffler, it reduces the pump noise level below 70 dB. Includes air exhaust connection kit 558 405.

DIRECTFLO® UNIVERSAL BRACKET

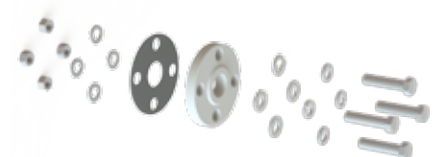


360 137

Part No. 360 137

Universal bracket with carrying handle. Fits a DF30 or a DF50 diaphragm pump on top of a drum or an IBC.

FLANGE CONNECTION KIT



Part No. 1940

Flange connection kit. For use with DP200 polypropylene pump P.N. 555 164. Includes one ANSI Standard 1" flange with seal and fastening elements. Use two kits for pump, one for the inlet port and the second one for the outlet port.

AIR BLEEDING VALVES

When connected to the pump outlet, it helps to eliminate the air trapped in the pump and in the suction line aiding pump prime.



362 922

362 922, 1/2" Air bleeding valve. For DF30 and DF50 diaphragm pumps.

362 923, 3/4" Air bleeding valve. For DF100 diaphragm pumps.

362 924, 1" Air bleeding valve. For DF250 and DP200 diaphragm pumps.

03
OTHER FLUIDS
PUMPS

2836



40 GALLONS PER MINUTE ALUMINUM
UL LISTED PUMP

Part No. 2836

40 gallons per minute maximum free flow capacity. Aluminum chambers and Buna-N diaphragms and check valves. 1" NPT (F) inlet and outlet ports. UL listed pump, suitable for lubricants, diesel and waste oil transfer and evacuation.

2835



46 GALLONS PER MINUTE
ALUMINUM PUMP

Part No. 2835

46 gallons per minute maximum free flow capacity. Aluminum chambers and Buna-N diaphragms and check valves. 1" NPT (F) inlet and outlet ports. Suitable for antifreeze, lubricants, diesel and waste oil transfer and evacuation.

2838



107 GALLONS PER MINUTE
ALUMINUM PUMP

Part No. 2838

107 gallons per minute maximum free flow capacity. Aluminum chambers and Buna-N diaphragms and check valves. 1-1/2" NPT(F) inlet and outlet ports. Suitable for antifreeze, lubricants, diesel and waste oil transfer and evacuation.

2840



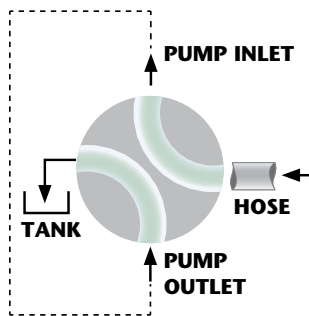
164 GALLONS PER MINUTE
ALUMINUM PUMP

Part No. 2840

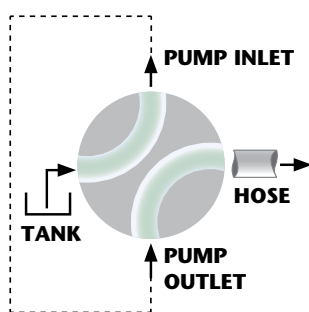
164 gallons per minute maximum free flow capacity. Aluminum chambers and Buna-N diaphragms and check valves. 2" NPT (F) inlet and outlet ports. Suitable for antifreeze, lubricants, diesel and waste oil transfer and evacuation.

FOUR-WAY EVACUATION VALVE

FILL TANK POSITION



EMPTY TANK POSITION



361 300

Part No. 361 300

Four-way evacuation valve

It simplifies plumbing and allows the use of one pump to pull and push waste fluids on / off their storage tank with the swing of a handle.

The valve is manufactured in anodized aluminum and acetal and it has 1" NPT (F) connection threads.

- Lube trucks
- Construction and mining
- Manufacturing facilities.

ELECTRIC PUMPS FOR SPECIALTY FLUIDS

Electric diaphragm pumps for use with Windshield wash solution, antifreeze solution and DEF. Pump wetted materials are manufactured in EPDM, PP, PA and HNBR. Pumps are self priming pumps and have no seals in the pump shaft. Electric motor is protected with a 5 minute auto shut off function once the dispense valve is closed. NOT FOR USE WITH LUBRICANTS.

03
OTHER FLUIDS
PUMPS

560 215



560 212



560 224



TECHNICAL DATA			
Part No.	560 215	560 212	560 224
Maximum delivery	8 gal/min	8 gal/min	8 gal/min
Max. working pressure	23 psi	23 psi	23 psi
Inlet & Outlet ports	1" BSPP	1" BSPP	1" BSPP
Voltage	115 VAC	12 VDC	24 VDC
Maximum current	2 amp	13 amp	22 amp
Motor protection	IP55 ⁽¹⁾	IP55 ⁽¹⁾	IP55 ⁽¹⁾
Accessories	60" power cord with three prong plug and off/on switch	60" power cord with crocodile clamps and off/on switch	60" power cord with crocodile clamps and off/on switch
Manual	856 809	856 810	856 810

(1) IP55, valid for outdoor use.

NOTE: Electric diaphragm pumps have BSPP male threads outlet and inlet. Use the following adaptors:

Part No. 609 056
Converts to 1/2" hose barb.

Part No. 609 072
Converts to 3/4" hose barb.

Part No. 609 073
Converts to 1" hose barb.

Product specifications are subject to change without prior notice

AIR OPERATED SPECIALTY PISTON PUMPS FOR FLUIDS

Air operated piston pumps for use with pure antifreeze (glycol) and water based solutions of antifreeze and Windshield wash. Pumps not suitable for DEF.



PUMP MASTER®

	PUMP MASTER 2		PUMP MASTER 4
	NICKEL PROTECTED PUMP	STAINLESS STEEL PUMP	STAINLESS STEEL PUMP
PART No.	332 120	331 120	333 120
PUMP TYPE	Universal stub pump	Universal stub pump; divorced	Universal stub pump; divorced
PRESSURE RATIO	1:1	1:1	3:1
EFFECTIVE AIR PISTON DIAMETER	1 1/2" (35 mm)	1 1/2" (35 mm)	2 1/2" (60 mm)
PISTON STROKE	3" (75 mm)	3" (75 mm)	3" (75 mm)
AIR PRESSURE OPERATING RANGE	20 to 145 psi (1,5 to 10 bar)	20 to 145 psi (1,5 to 10 bar)	20 to 145 psi (1,5 to 10 bar)
AIR INLET	1/4" NPT (F)	1/4" NPT (F)	3/8" NPT (F)
FLUID INLET	1" NPT (F)	1" NPT (F)	1" NPT (F)
FLUID OUTLET	3/4" NPT (F)	3/4" NPT (F)	3/4" NPT (F)
DELIVERY AT 100 CYCLES PER MINUTE	3.6 gal/min (13,5 l/min)	6.6 gal/min (25 l/min)	6.6 gal/min (25 l/min)
MAXIMUM FREE DELIVERY	14.5 gal/min (55 l/min)	10 gal/min (38 l/min)	10.6 gal/min (40 l/min)
WETTED MATERIALS	Nickel coated aluminum and steel, stainless steel, acetal, NBR, polyurethane	PTFE, Viton®, stainless steel	PTFE, Viton®, stainless steel
HEIGHT ADJUSTABLE BUNG ADAPTOR	Included	Included	Included
MANUAL	860 811	833 810	833 811

351 121



SPECIALTY WASTE OIL PISTON PUMP

Part No. 351 121

Pump Master pump with 1:1 ratio with a modified air valve to allow a slower upward movement of the piston. This improves pump suction capacity and avoids pump cavitation when suctioning fluids like waste oil through small diameter suction wands.

Manual 835 816

04 HOSE REELS

506 SERIES SINGLE ARM ALUMINUM HOSE REELS	65
507 SERIES INDIVIDUALLY ENCLOSED HOSE REELS	66
1400 SERIES DOUBLE PEDESTAL ARM HOSE REELS	67
504 SERIES HEAVY-DUTY DOUBLE PEDESTAL ARM HOSE REELS	68
505 SERIES HEAVY-DUTY DOUBLE PEDESTAL ARM HOSE REELS	69
508 SERIES HEAVY-DUTY LARGE CAPACITY HOSE REELS	70
5085 SERIES HEAVY-DUTY LARGE CAPACITY HOSE REELS	71
506EC ENCLOSED REELS	72
CABLE, LIGHT AND ELECTRIC REELS	74
HOSE REEL ACCESSORIES	75





04
HOSE REELS

SAMSON hose reels, used around the world, are designed to be premium quality hose reels. Hose reels are adaptable to wall, floor or ceiling mounting, individually or in banks. They are available for high, medium and low pressure applications. Different hose capacities are available for maximum flexibility in selecting a hose reel assembly to match specific need. SAMSON hose reels are designed with non-restrictive fluid passages and the right hose diameter for each application to provide the quickest material delivery.

SAMSON hose reels are spring-powered and self-retracting; a latch locks the reel at desired length and a slight pull releases the latch, and the hose retracts smoothly on the reel. Hose guide arm can be placed in different positions to accommodate any method of mounting and allow the hose to be removed or retracted without kinking, reducing strain on hose and minimizing the possibility of hose damage.



REEL MASTER®

COMPRESSED AIR • WATER • DIESEL • LUBRICANTS • ANTIFREEZE • WINDSHIELD WASH • GREASE • DEF (AdBlue®)

ADVANTAGES OF THE USE OF HOSE REELS

- Increased productivity.
- Reduced wear and increased life of hoses.
- Simple hose handling and storage.
- Lower risk of accidents as hose reels keep hoses off the floor.
- Work environment improvement.

ALL SAMSON REELS HAVE

- Superior power spring life. Special fatigue resistant steel spring guarantees long life and trouble free operation and provides even tension at every point, when pulling or retracting hose.
- Heavy-Duty ratchet, with large effective radial latching area for an easier and user-friendly operation.
- Metal arms, enclosures, base and spool are epoxy powder coated for increased wear resistance.
- SAMSON only uses high quality SAE hoses, specially formulated for use in hose reels.

SAMSON offers a wide range of brackets, racks channels and stands for mounting hose reels. A properly installed hose reel has an inlet hose to prevent vibration transfer to the reel. A shut off valve is recommended at the inlet to allow the isolation of each reel for servicing.

506 SERIES SINGLE ARM ALUMINUM HOSE REELS



50' MAXIMUM HOSE CAPACITY

FLUIDS HANDLED

- Air.
- Water.
- Antifreeze and Windshield Wash Solutions.
- High Pressure Hot Water.
- Synthetic and Mineral Oils.
- DEF / AdBlue®
- Grease.

MARKETS / APPLICATIONS

- Car and truck dealers.
- Service shops.
- Fleets.
- General manufacturing.
- Service stations.
- Quick lubes.

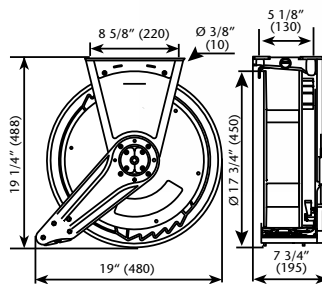
MOUNTING

- Floor.
- Wall.
- Ceiling.
- Tank.

Aluminum base and arms with composite spool hose reels, can handle up to 50' x 1/2" hose.



Dimensions Inches (mm)



Hose reel with outlet arm in side mount position.

HOSE REEL PART No.	HOSE LENGTH	HOSE I.D.	OUTLET THREAD	MAX. WORKING PRESSURE	NET WEIGHT	REEL ONLY WITH SWIVEL PART No.
LOW PRESSURE AIR/WATER ANTIFREEZE AND WINDSHIELD WASH SOLUTIONS – BRASS SHAFT AND ACETAL SWIVEL						
506 101	30'	3/8"	3/8" NPTM	300 psi	26.7 lb	506 912
506 104	30'	3/8"	1/4" NPTM	300 psi	26.7 lb	506 912
506 121	50'	3/8"	3/8" NPTM	300 psi	31.3 lb	506 922
506 124	50'	3/8"	1/4" NPTM	300 psi	31.3 lb	506 922
506 122	50'	1/2"	1/2" NPTM	300 psi	32.8 lb	506 922
LOW PRESSURE DEF – STAINLESS STEEL SHAFT AND ACETAL SWIVEL						
506 702	30'	1/2"	1/2" BSPPM	300 psi	28.7 lb	506 976
506 722	50'	1/2"	1/2" BSPPM	300 psi	34.1 lb	506 978
MEDIUM PRESSURE OILS – STEEL SHAFT AND SWIVEL						
506 202	30'	1/2"	1/2" NPTM	2,000 psi	27.8 lb	506 920
506 222	50'	1/2"	1/2" NPTM	2,000 psi	32.8 lb	506 922
HIGH PRESSURE WATER (UP TO 200 °F) – STAINLESS STEEL SHAFT AND SWIVEL						
506 421	50'	3/8"	3/8" NPTM	2,400 psi	33.3 lb	506 942
HIGH PRESSURE GREASE – STEEL SHAFT AND SWIVEL						
506 300	30'	1/4"	1/4" NPTM	5,000 psi	27.3 lb	506 930
506 321	50'	3/8"	1/4" NPTM	4,000 psi	35.3 lb	506 936
WASTE OIL SUCTION – STEEL SHAFT AND SWIVEL						
506 503	20'	5/8"	1/2" NPTM	2,000 psi	29.3 lb	506 950

MANUAL FOR ALL 506 SERIES HOSE REELS: 850 819

- Aluminum base and guide arm provide the rigidity to withstand the most demanding applications while offering a reduced weight for easy installation.
- Fatigue resistant steel spring for years of durable performance and even load when pulling and recoiling the hose.
- Fully ported shaft and swivel.
- Spool mounted on two permanently lubricated and sealed ball bearings to reduce torque load on spring for smooth retraction and longer life.
- Large guide latching area for easier operation.
- Six roller guide outlet prevents hose pinching and reduces friction.
- Hose guide arm can be placed in different positions to accommodate any method of mounting.
- Hose reels with hose include 30" inlet hose.

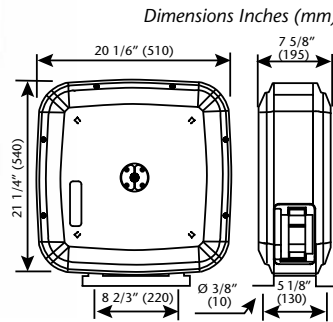


Hose reels are delivered in ceiling mount position. For reels delivered with arm in side mount position, add SM to the hose reel Part Number.

507 SERIES INDIVIDUALLY ENCLOSED HOSE REELS

50' MAXIMUM HOSE CAPACITY

Aluminum enclosure with composite spool hose reels, can handle up to 50' x 1/2" hose.



FLUIDS HANDLED

- Air.
- Water.
- Antifreeze and Windshield Wash Solutions.
- High Pressure Hot Water.
- Synthetic and Mineral Oils.
- DEF / AdBlue®
- Grease.

MARKETS / APPLICATIONS

- Car and truck dealers.
- Service shops.
- Fleets.
- General manufacturing.
- Service stations.
- Quick lubes.

MOUNTING

- Floor.
- Wall.
- Ceiling.
- Tank.

- Corrosion resistant aluminum enclosure forms a very rigid and stable structure, with light weight and attractive design.
- Fatigue resistant steel spring for years of durable performance and even load when pulling and recoiling the hose.
- Fully ported shaft and swivel.
- Spool mounted on two permanently lubricated and sealed ball bearings to reduce torque load on spring for smooth retraction and longer life.
- Large latching area for easier operation.
- Positionable mounting brackets to accommodate any method of mounting.
- Two large lateral service windows facilitate common maintenance operations.
- Hose reels with hose include 30" inlet hose.



Hose reels are delivered in ceiling mount position.

HOSE REEL PART No.	HOSE LENGTH	HOSE I.D.	OUTLET THREAD	MAX. WORKING PRESSURE	NET WEIGHT	REEL ONLY WITH SWIVEL PART No.
LOW PRESSURE AIR/WATER ANTIFREEZE AND WINDSHIELD WASH SOLUTIONS – BRASS SHAFT AND ACETAL SWIVEL						
507 101	30'	3/8"	3/8" NPTM	300 psi	40.6 lb	507 910
507 104	30'	3/8"	1/4" NPTM	300 psi	40.6 lb	507 910
507 121	50'	3/8"	3/8" NPTM	300 psi	45.6 lb	507 912
507 124	50'	3/8"	1/4" NPTM	300 psi	45.6 lb	507 912
507 122	50'	1/2"	1/2" NPTM	300 psi	47.2 lb	507 919
LOW PRESSURE DEF – STAINLESS STEEL SHAFT AND ACETAL SWIVEL						
507 702	30'	1/2"	1/2" BSPPM	300 psi	41.0 lb	507 976
507 722	50'	1/2"	1/2" BSPPM	300 psi	41.9 lb	507 978
MEDIUM PRESSURE OILS – STEEL SHAFT AND SWIVEL						
507 202	30'	1/2"	1/2" NPTM	2,000 psi	41.7 lb	507 920
507 222	50'	1/2"	1/2" NPTM	2,000 psi	47.2 lb	507 922
HIGH PRESSURE WATER (UP TO 200 °F) – STAINLESS STEEL SHAFT AND SWIVEL						
507 421	50'	3/8"	3/8" NPTM	2,400 psi	48.9 lb	507 942
HIGH PRESSURE GREASE – STEEL SHAFT AND SWIVEL						
507 300	30'	1/4"	1/4" NPTM	5,000 psi	41.5 lb	507 930
507 321	50'	3/8"	1/4" NPTM	4,000 psi	49.8 lb	507 936
WASTE OIL SUCTION – STEEL SHAFT AND SWIVEL						
507 503	20'	5/8"	1/2" NPTM	2,000 psi	42.1 lb	507 950

MANUAL FOR ALL 507 SERIES HOSE REELS: 850 824

1400 SERIES DOUBLE PEDESTAL ARM HOSE REELS



40' MAXIMUM HOSE CAPACITY

Full metal hose reels, can handle up to 40' x 1/2" hose.

FLUIDS HANDLED

- Air.
- Water.
- Antifreeze Solutions.
- Synthetic and Mineral Oils.
- Grease.

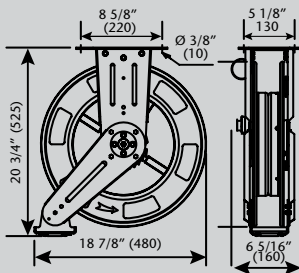
MARKETS / APPLICATIONS

- Car and truck dealers.
- Service shops.
- General manufacturing.
- Service stations.
- Quick lubes.

MOUNTING

- Floor.
- Wall.
- Ceiling.
- Tank.

Dimensions Inches (mm)



04

HOSE REELS

HOSE REEL PART No.	HOSE LENGTH	HOSE I.D.	OUTLET THREAD	MAX. WORKING PRESSURE	NET WEIGHT	REEL ONLY WITH SWIVEL PART No.
LOW PRESSURE AIR/WATER ANTIFREEZE – STEEL SHAFT AND SWIVEL						
1413	40'	3/8"	3/8" NPTM	300 psi	43 lb	1402
1416	40'	3/8"	1/4" NPTM	300 psi	43 lb	1402
1417	40'	1/2"	1/2" NPTM	300 psi	46 lb	1402
MEDIUM PRESSURE OILS – STEEL SHAFT AND SWIVEL						
1428	30'	1/2"	1/2" NPTM	2,000 psi	45 lb	1402
1426	40'	1/2"	1/2" NPTM	2,000 psi	48 lb	1402
HIGH PRESSURE GREASE – STEEL SHAFT AND SWIVEL						
1432	30'	1/4"	1/4" NPTM	5,000 psi	45 lb	1403
1435	40'	1/4"	1/4" NPTM	4,000 psi	48 lb	1403

- Fatigue resistant steel spring for years of durable performance and even load when pulling and recoiling the hose.
- Full metal double pedestal arm construction, epoxy powder coated for increased wear resistance.
- Forged brass shaft ensures a leak free operation.
- Hose reels with hose include 30" inlet hose.

MANUAL FOR ALL 1400 SERIES HOSE REELS: 850 804



Hose reels are delivered in ceiling mount position.

50' MAXIMUM HOSE CAPACITY

Full metal Heavy-Duty double pedestal hose reels, with hose capacity up to 50' x 1/2" hose.



Hose reel with arms in side mount position.

- Very tough construction able to stand regular use and abuse in Intensive Duty applications.
- Fatigue resistant steel spring for years of durable performance and even load when pulling and recoiling the hose.
- Fully ported shaft and swivel.
- Spool mounted on two permanently lubricated and sealed ball bearings to reduce torque load on spring for smooth retraction and longer life.
- Large latching area for easier operation.
- Hose guide arm can be placed in different positions to accommodate any method of mounting.
- Narrow footprint allows mounting more reels on the same surface.
- Hose reels with hose include 30" inlet hose.



Hose reels are delivered in ceiling mount position. For reels delivered with arms in side mount position, add SM to the hose reel Part Number.

FLUIDS HANDLED

- Air.
- Water.
- Antifreeze and Windshield Wash Solutions.
- High Pressure Hot Water.
- Synthetic and Mineral Oils.
- Grease.

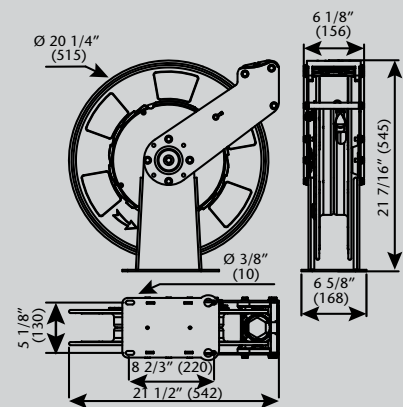
MARKETS / APPLICATIONS

- Car and truck dealers.
- Service shops.
- Fleets.
- Lube trucks.
- Mining and construction.
- Railroad and mass transit.
- General manufacturing.

MOUNTING

- Floor.
- Wall.
- Ceiling.
- Tank.

Dimensions Inches (mm)



HOSE REEL PART No.	HOSE LENGTH	HOSE I.D.	OUTLET THREAD	MAX. WORKING PRESSURE	NET WEIGHT	REEL ONLY WITH SWIVEL PART No.
LOW PRESSURE AIR, WATER, ANTIFREEZE AND WINDSHIELD WASH SOLUTIONS BRASS SHAFT, ACETAL SWIVEL						
504 152	50'	3/8"	1/4" NPTM	300 psi	49.5 lb	504 159
504 151	50'	3/8"	3/8" NPTM	300 psi	49.5 lb	504 159
504 150	50'	1/2"	1/2" NPTM	300 psi	52.8 lb	504 159
MEDIUM PRESSURE OILS - STEEL SHAFT AND SWIVEL						
504 251	40'	1/2"	1/2" NPTM	2,000 psi	55.0 lb	504 259
504 250	50'	1/2"	1/2" NPTM	2,000 psi	57.3 lb	504 259
HIGH PRESSURE GREASE - SHAFT AND SWIVEL						
504 350	50'	1/4"	1/4" NPTM	5,000 psi	58.4 lb	504 359
504 351	50'	3/8"	1/4" NPTM	4,000 psi	60.6 lb	504 359
HIGH PRESSURE HOT WATER (UP TO 200° F) - STAINLESS STEEL SHAFT AND SWIVEL						
504 450	50'	3/8"	3/8" NPTM	2,500 psi	57.3 lb	504 459

MANUAL FOR ALL 504 SERIES HOSE REELS: 850 838

505 SERIES HEAVY-DUTY DOUBLE PEDESTAL ARM HOSE REELS



65' MAXIMUM HOSE CAPACITY

FLUIDS HANDLED

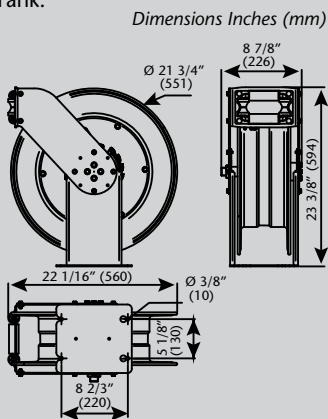
- Air.
- Water.
- Antifreeze.
- Synthetic and mineral oils.
- DEF / AdBlue®
- Waste Oil Evacuation.
- Diesel.
- Grease.

MARKETS / APPLICATIONS

- Truck dealers.
- Service shops.
- Fleets.
- Lube trucks.
- Mining and construction.
- Railroad and mass transit.
- General manufacturing.

MOUNTING

- Floor.
- Wall.
- Ceiling.
- Tank.



Full metal, Heavy-Duty double pedestal hose reels with hose capacity up to 50' x 3/4" or 65' x 1/2" hose



505 Hose reels delivered with arms in side mount position as standard.

04

HOSE REELS

- Very tough construction able to stand regular use and abuse in Intensive Duty applications.
- Fatigue resistant steel spring for years of durable performance and even load when pulling and recoiling the hose.
- Fully ported shaft and swivel.
- Spool mounted on two permanently lubricated and sealed ball bearings to reduce torque load on spring for smooth retraction and longer life.
- Large effective radial latching area for easier operation.
- Hose guide arm can be placed in different positions to accommodate any method of mounting.
- Narrow footprint allows mounting more reels on the same surface.

HOSE REEL PART No.	HOSE LENGTH	HOSE I.D.	OUTLET THREAD	MAX. WORKING PRESSURE	NET WEIGHT	REEL ONLY WITH SWIVEL PART No.
LOW PRESSURE AIR/WATER – STEEL SHAFT AND SWIVEL						
505 120	65'	1/2"	1/2" NPTM	300 psi	79.3 lb	505 002
505 121	50'	3/4"	3/4" NPTM	300 psi	83.2 lb	505 002
LOW PRESSURE DIESEL – STEEL SHAFT AND SWIVEL						
505 425	50'	3/4"	3/4" NPTM	200 psi	83.7 lb	505 002
MEDIUM PRESSURE OILS – STEEL SHAFT AND SWIVEL						
505 220	65'	1/2"	1/2" NPTM	2,000 psi	80.3 lb	505 002
505 221	50'	3/4"	3/4" NPTM	1,250 psi	84.7 lb	505 002
HIGH PRESSURE GREASE – STEEL SHAFT AND SWIVEL						
505 330	65'	3/8"	1/4" NPTM	4,000 psi	86 lb	505 014
LOW PRESSURE DEF – STAINLESS STEEL SHAFT AND ACETAL SWIVEL						
505 550	50'	3/4"	3/4" BSPP	300 psi	85 lb	505 502

Reel includes inlet swivel, reel with hose includes hose stop.

Inlet connecting hose: not included.

Hose inlet thread: 3/4" NPSM.

See hose section for all hose models.

MANUAL FOR ALL 505 SERIES HOSE REELS: 850 825

UP TO 100' MAXIMUM HOSE CAPACITY

Full metal, Heavy-Duty double pedestal hose reels, with hose capacity up to 50' x 1", 75' x 3/4" hose or 100' x 1/2" hose.

FLUIDS HANDLED

- Air.
- Water.
- Antifreeze solutions.
- Synthetic and mineral oils.
- Waste Oil Evacuation.
- Diesel.

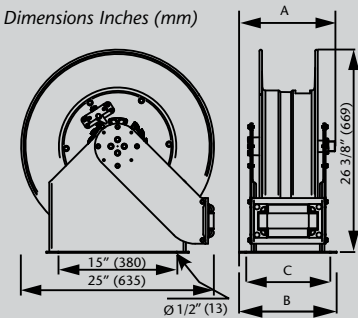
MARKETS / APPLICATIONS

- Fleets.
- Lube trucks.
- Mining and construction.
- Railroad and mass transit.
- General manufacturing.

MOUNTING

- Floor.
- Tank.
- Ceiling.

Dimensions Inches (mm)



DIMENSIONS Inches - (mm)

PART No.	508 002	508 046
A	12 3/8" (315)	13 3/4" (349)
B	11 3/8" (290)	12 5/16" (320)
C	12 5/16" (320)	13 15/16" (353)



- Very tough construction large capacity reels, able to stand regular use and abuse in Intensive Duty applications.
- Fatigue resistant steel spring for years of durable performance and even load when pulling and recoiling the hose.
- Fully ported shaft and swivel.
- Spool mounted on two permanently lubricated and sealed ball bearings to reduce torque load on spring for smooth retraction and longer life.
- Large latching area for easier operation.
- Hose guide arm can be placed in different positions to accommodate any method of mounting.
- Narrow footprint allows mounting more reels on the same surface.
- Reels with 75' and 100' hose capacity include a dual spring for effective hose retraction.

HOSE REEL PART No.	HOSE LENGTH	HOSE I.D.	OUTLET THREAD	MAX. WORKING PRESSURE	NET WEIGHT	REEL ONLY WITH SWIVEL PART No.
LOW PRESSURE AIR, WATER - STEEL SHAFT AND SWIVEL						
508 125	50'	1"	1" NPTM	300 psi	110.2 lb	508 002
508 152	100'	1/2"	1/2" NPTM	300 psi	121.2 lb	508 046
LOW PRESSURE DIESEL - STEEL SHAFT AND SWIVEL						
508 425	50'	1"	1" NPTM	300 psi	115.7 lb	508 002
MEDIUM PRESSURE LUBRICANTS - STEEL SHAFT AND SWIVEL						
508 225	50'	1"	1" NPTM	1,250 psi	123.4 lb	508 002
508 244	75'	3/4"	3/4" NPTM	1,250 psi	125.6 lb	508 046
508 252	100'	1/2"	1/2" NPTM	2,000 psi	121.5 lb	508 046

Reel includes inlet swivel, reel with hose includes hose stop.

Inlet connecting hose: not included.

Hose reel inlet connection thread: 1" NPSM.

See hose section for all hose models.

MANUAL FOR ALL 508 SERIES HOSE REELS: 850 837

5085 SERIES HEAVY-DUTY LARGE CAPACITY HOSE REEL



50' MAXIMUM HOSE CAPACITY

FLUIDS HANDLED

- Water.
- Diesel.
- Waste oil evacuation.
- Low pressure bulk oil transfer.

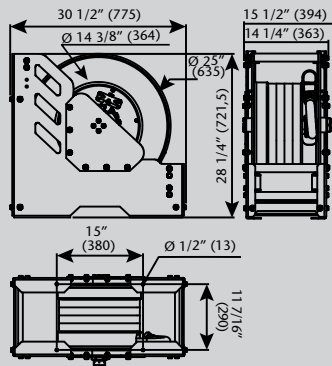
MARKETS / APPLICATIONS

- Fleets.
- Lube trucks.
- Mining and construction.
- Railroad and mass transit.
- General manufacturing.

MOUNTING

- Floor.
- Tank.

Dimensions Inches (mm)



Full metal, Heavy-Duty, hose reel with hose capacity up to 50' x 1-1/2" hose.



04

HOSE REELS

- Very tough construction large delivery reels, able to stand regular use and abuse in Intensive Duty applications.
- Fatigue resistant steel spring for years of durable performance and even load when pulling and recoiling the hose.
- Fully ported shaft and swivel.
- Spool mounted on two permanently lubricated and sealed ball bearings to reduce torque load on spring for smooth retraction and longer life.
- Large latching area for easier operation.
- Hose guide arm can be placed in two different positions to accommodate mounting.
- Delivered with outlet mouth mounted in low position.

Part No. 508 891

5085 Series Hose reel with swivel only.
For 50' of 1-1/2" hose. Delivery hose connection thread: 1-1/2" swiveling nut.
Inlet hose connection thread: 1-1/2" NPSM.
Net weight (with no hose): 150 lb.

Part No. 528 083

Spherical hose stop and U-bolt kit for 1-1/2" hoses.

MANUAL FOR ALL 5085 SERIES HOSE REELS: 850 833

506EC ENCLOSED REEL

50' MAXIMUM HOSE CAPACITY

Enclosed reels, can handle up to 50' x 1/2" hose.



SAMSON overhead reels provide a clean appearance of multiple reel banks as they are enclosed in a steel metal cabinet. They combine an exclusive deluxe appearance and superior performance for meeting the needs of your shop.

- One steel piece includes the hose reel base, arm and outlet mouth for rollers.
- Wide mouth design avoids hose jamming.
- Composite spool for light weight and easy installation.

- Spool mounted on two ball bearings to reduce torque load on spring for smooth operation and longer life.
- Full ported shaft and swivel.
- Nickel protected steel shaft and swivel for medium pressure applications.
- Brass shaft and acetal swivel for air and water applications. No corrosion even with high salt content water.

Hose reels are specially designed to fit the cabinets; order cabinets, side panels and end panel kits separately.

HOSE REEL PART No.	HOSE LENGTH	HOSE I.D.	OUTLET THREAD	MAX. WORKING PRESSURE	NET WEIGHT
LOW PRESSURE - AIR, WATER, ANTIFREEZE AND WINDSHIELD SOLUTIONS					
506 101EC	30'	3/8"	3/8" NPTM	300 psi	33.8 lb
506 104EC	30'	3/8"	1/4" NPTM	300 psi	33.8 lb
506 121EC	50'	3/8"	3/8" NPTM	300 psi	37 lb
506 124EC	50'	3/8"	1/4" NPTM	300 psi	37 lb
506 122EC	50'	1/2"	1/2" NPTM	300 psi	41 lb
MEDIUM PRESSURE LUBRICANTS					
506 202EC	30'	1/2"	1/2" NPTM	2,750 psi	36.9 lb
506 222EC	50'	1/2"	1/2" NPTM	2,750 psi	41.7 lb
HIGH PRESSURE GREASE					
506 300EC	30'	1/4"	1/4" NPTM	5,000 psi	35.4 lb
506 321EC	50'	3/8"	1/4" NPTM	5,000 psi	43.7 lb

MANUAL FOR ALL 506EC SERIES HOSE REELS: 850 839

FLUIDS HANDLED

- Air.
- Water.
- Antifreeze Solutions.
- Synthetic and Mineral Oils.
- Grease.
- Windshield wash solutions.

MARKETS / APPLICATIONS

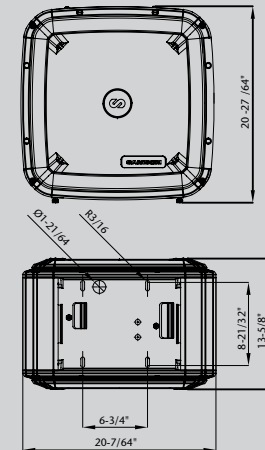
- Car and truck dealers.
- Service shops.
- Quick lubes.

MOUNTING

- Ceiling.



Dimensions Inches



Electric / light reels

Kit includes reel, (see page 74 for available reels) and mounting adapter. Order side enclosure separately.

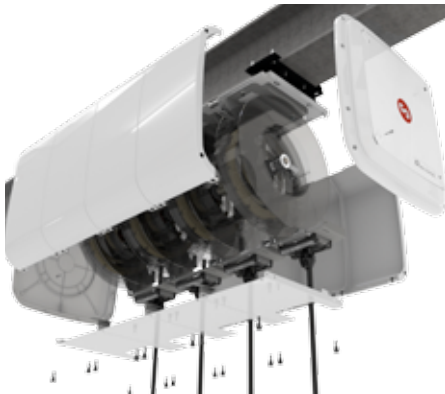
PART No.	ELECTRIC REEL INCLUDED
3171EC	3171
3172EC	3172
3173EC	3173
3174EC	3174
3175EC	3175

ENCLOSED REEL KITS

Includes the hose reel and delivery gun specified for each kit. Order side enclosure kit separately.

PART No.	APPLICATION	MAX. W.P.	HOSE REEL INCLUDED		DELIVERY GUN INCLUDED	
			PART No.	HOSE	TYPE	PART No.
506 104ECA	Compressed air	300 psi	506 104EC	30' x 3/8"	Air chuck	1275
506 104ECB	Water	300 psi	506 104EC	30' x 3/8"	Water bibb	1280
506 124ECA	Compressed air	300 psi	506 124EC	50' x 3/8"	Air chuck	1275
506 124ECB	Water	300 psi	506 124EC	50' x 3/8"	Water bibb	1280
506 202ECM	Oil	1,500 psi	506 202EC	30' x 1/2"	Hose end meter	365 537
506 222ECM	Oil	1,500 psi	506 222EC	50' x 1/2"	Hose end meter	365 537

EASY INSTALLATION AND MODULAR DESIGN



SIDE PANEL KIT

Order one per each reel

Each kit includes 2 side panels, one outlet panel, one quick mounting individual reel bracket, and the fastening and alignment elements required.

- Self-supporting system with linked hose reel feature. Each hose reel is fixed to the adjacent reel, providing a very stable and durable structure.
- A self-contained panel includes centering elements that ensure a perfect alignment among all elements. Any panel can be removed without dismounting the adjacent ones.
- Full metal construction: epoxy powder coated steel panels, reel bracket and aluminum side panels. Modular design makes it possible to build a decorative reel enclosure with one single reel or multiple reels.

Standard color is white, side panel kits are available in 6 different colors.

PART No.	COLOR
526 802	Side panel kit, white
526 802K	Side panel kit, black
526 802L	Side panel kit, blue
526 802R	Side panel kit, red
526 802G	Side panel kit, green
526 802S	Side panel kit, gray
AVAILABLE COLORS	
Sky white, Ral 9016	
Monarch black, Ral 9005	
Signal blue, Ral 5005	
Ruby red, Ral 3003	
Antifreeze green, Ral 6037	
Silver Sparkle gray, Ral 9022	



END PANEL KIT

One End Panel kit is required for each hose reel bank. The kit includes the following components:

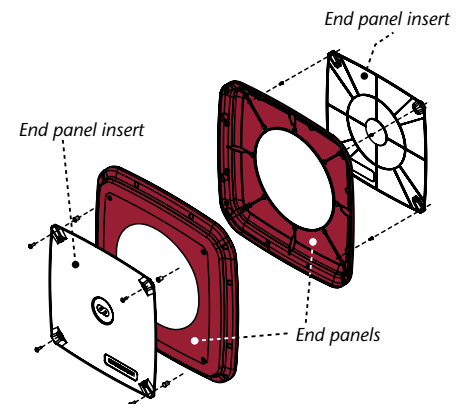
- Two aluminum die cast end panels.
- One end support kit, provides rigidity and stability to the hose reel bank as it converts the last reel into a double pedestal arm reel.
- Required fasteners to assemble the enclosures.

Standard color is white, end panel kits are available in 6 different colors.

- Choose between 2 ABS end panel inserts: black or white.

	PART No.	END PANEL COLOR	END PANEL INSERT COLOR
	526 809	white	white
	526 809K	black	white
	526 809L	blue	white
	526 809R	red	white
	526 809G	green	white
	526 809S	gray	white

	PART No.	END PANEL COLOR	END PANEL INSERT COLOR
	526 809B	white	black
	526 809KB	black	black
	526 809LB	blue	black
	526 809RB	red	black
	526 809GB	green	black
	526 809SB	gray	black



ENCLOSED REEL MOUNTING CHANNELS

Channels for mounting reel bank. Use these channels instead of Unistrut channel. Include the fasteners required for mounting the reels.

Part No. 1372

2 reel mounting channel.

Part No. 1373

3 reel mounting channel.

Part No. 1375

5 reel mounting channel.

Part No. 1370 Channel mounting bracket

For mounting a reel channel to I beams (up to 9" flange). Use two brackets for the 2 and 3 reel channels and 3 brackets for the 5 reel channel.



1373



3175

COMPACT REELS FOR LIGHT

Part No. 3175
Electric light cord reel 50'
 Similar to 3174, except 50' 18/2 cord with switch in handle.
 Models not shown (Similar to 3174):

Part No. 3171
Electric light cord reel 40' stubby light reel with tool tap in handle.

Part No. 3172
Electric light cord reel 30' stubby light reel with tool-tap in handle.



3173

ELECTRIC CORD REEL 30'

Part No. 3173
Electric cord reel 30'
 Power supply reel with 30' retractable 3 outlet power supply cord.
 Features include 3-wire cord for positive grounding of electrical tools, and one piece molded plugs for added safety. Includes necessary hardware for wall or ceiling mounting. Fits all standard grounded electrical outlets. 16/3 cord rated 10 amps.



3174

COMPACT REEL FOR LIGHT 40'

Part No. 3174
Electric light cord reel 40'
 Automatic retractable trouble light with built-in safety switch.
 Light turns on when cord is pulled out. Shuts off when cord is fully retracted. Safety switch shuts off current at power source, no switch or tool tap in handle. Bulb guard insulated to prevent sparking. 40' cord length. 18/2 cord. Stubby light.

4040



HD ELECTRIC CORD REEL 40'

Part No. 4040
HD electric cord reel 40'
 Double power supply reel. All models have two outlets in a rugged metal enclosure, with spring loaded protective covers over the outlets. Box is grounded. Water tight strain relief bushing on all models where reel cord enters top of box.
 115 volt, 60 Hz, single phase, 20 amp.
 Adjustable guide arm, allows wall, ceiling, or bench mounting. 6' inlet power cord with ground plug. 40' oil resistant type SJTO/SJTOW-A, three conductor 14/3 cord.

1558



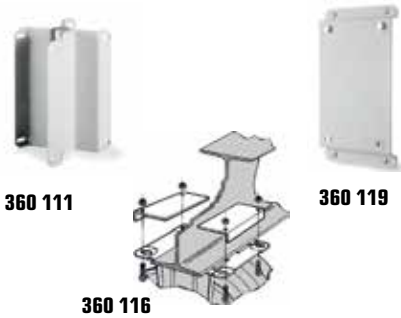
ECR LOW PRESSURE ECONOMY HOSE REEL

Low cost, low pressure hose reel. Ideal for light to intermediate use. Reel is made in China and carries a limited 90 day warranty.
Part No. 1558
 Complete reel assembly, with 50' of 3/8" I.D. low pressure hose.
 Includes 2' inlet connection hose.

HOSE REEL ACCESSORIES



SINGLE REEL BRACKETS



Part No. 360 111
Pivoting wall mount bracket. Use with 506, 507, 1400, 504 and 505 Series reels.

Part No. 360 116
I-beam mounting bracket. Includes a pair of brackets and hardware. Eliminates the need to drill column or beam when mounting an individual reel to beam flange. Use with 506, 507, 1400 and 504 series reels.

Part No. 1399
Bracket for mounting a 506, 507, 1400 or 504 Series reel to a 1305 Heavy-Duty cart.

Part No. 360 135
Bracket for mounting a 506, 507, 1400 or 504 Series reel to a drum trolley Part No. 1307.

Part No. 360 119
Fast mount bracket. Facilitates mounting a reel to a wall or ceiling. Use with 506, 507, 1400, 504 and 505 reels.

GUN HOLDERS AND DRIP POCKETS



Part No. 360 122
 Wall mounted drip pocket.

Part No. 360 126
 Gun holder for hose reels.

Part No. 360 127
 Wall mount drip pocket and gun holder.

MULTIPLE REEL BRACKETS

Hose reel mounting channels for use with 506, 507, 1400, and 504 series hose reels in a bank. Channels are pre-drilled to allow individual mounting of reel. Nuts, screws and washers included.



Part No. 360 114
Holds up to two reels.
 Dimensions: 21-1/2" x 12" .

Part No. 360 115
Holds up to three reels.
 Dimensions: 32-1/2" x 12" . This bracket can also hold 2 x 505 Series reels.

Part No. 360 117
Holds up to five reels.
 Dimensions: 54-1/2" x 12" . This bracket can also hold 3 x 505 Series reels.

Part No. 1390
Channel mounting bracket. Channels may be mounted from I beams with use of channel mounting brackets (up to 9" flange). Use two brackets for the two and three reel channel and three brackets for the five reel channel.

Part No. 1515
Set of peel-off stick-on reel identification labels. Set includes: Anti-Freeze, ATF, Chassis, Water, Gear, Air, SAE 10-40, SAE 10-30, SAE 5-40, SAE10W, SAE 20W, SAE 30W and one blank label.

REEL STANDS



360 161 Two hose reel stand
 For use with any pair of 506, 507, 1400 and 504 hose reels. Height: 93 1/2" (2,375 mm).

360 162 Three hose reel stand
 For use with 506, 507, 1400 and 504 hose reels, includes drip tray.
 Dimensions: 47 1/4" x 15 3/4" x 87 13/32" (1,200 x 400 x 2,220 mm).

FIVE HOSE REEL STAND

SIX HOSE REEL STAND

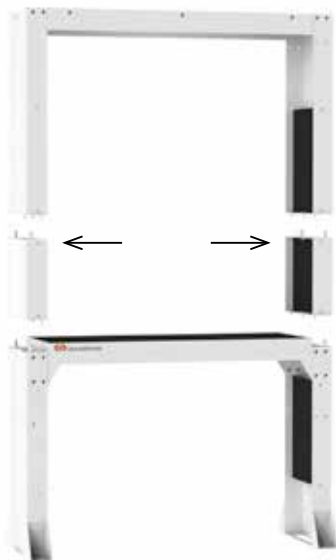


Part No. 360 163 Five hose reel stand
For use with all 504, 506, 507 and 1400 reel models, includes drip tray.
Dimensions: 69" x 16" x 88" mm.

Very solid construction, allows mounting six hose reels. Two extra reels can be mounted using the optional accessory. Six reel stands include perforated internal side panels and drip tray.

Part No. 360 160 Six reel stand
Narrow model for use with 504, 506 and 1400 reels.
Dimensions: 61" x 30" x 102" mm.

Part No. 360 165 Six reel stand
Wide model for use with up to six 504, 506, 507 and 1400 reels.
Dimensions: 78" x 30" x 102" mm.



360 166

SIX HOSE REEL STAND ACCESSORIES

For use with 360 160 and 360 165 stands as mentioned.

Part No. 360 164 Height extension kit
The kit raises stand height by 20". For use with 360 160 and 360 165 stands.

Part No. 360 166 Additional bracket for two hose reels
The additional bracket allows mounting two additional hose reels on each side of a six reel stand 360 160 and 360 165.

Part No. 360 168 Additional drip tray
For use on one side of a six reel stand 360 160 and 360 165 when equipped with the 360 166 additional bracket.

Part No. 736 229 Drawers kit
The kit allows mounting two locking drawers to the six reel stand 360 160.

05 FLUID DISPENSE VALVES AND METERS

CONTROL VALVES FOR DISPENSING OIL AND OTHER FLUIDS	78
ELECTRONIC METERED CONTROL VALVES FOR DISPENSING OIL AND OTHER FLUIDS	80
MECHANICAL METERED CONTROL VALVES FOR DISPENSING OIL AND OTHER FLUIDS	82
SPECIAL CONTROL VALVES, METERS AND DISPENSERS	84
DISPENSE VALVE ACCESSORIES	85
HIGH PRESSURE GREASE CONTROL HANDLES AND ACCESSORIES	86
IN-LINE METERS	87



CV11 SERIES - OIL DISPENSE VALVE, 11 GAL/MIN

SAMSON control valves are used at the end of hose assembly to dispense lubricants and antifreeze solutions.

FLUIDS HANDLED

- Synthetic and mineral based lubricants.
- Gear Oil.
- Hydraulic oil and fluids.
- ATF.
- Antifreeze solutions.

MARKETS SERVED

- Car and truck dealerships.
- Fast lube and maintenance shops.
- Fleet service.
- Mining and construction.
- Lube trucks.

DURABILITY AND PERFORMANCE

- Extensively and rigorously field tested. Reliable performance.
- Aluminum body with light weight ergonomic design. Soft grip valve for comfort.
- Cam and piston valve design for minimum flow resistance.
- Large inlet swivel and inlet filter with large screen surface.
- Swivel and outlet covers.
- Safety latch must be depressed before product can be dispensed. Trigger can be locked open for dispensing large volumes.
- Wide selection of outlets available.

TECHNICAL DATA	
Maximum flow rate	11 gal/min (40 l/min)
Maximum working pressure	1,450 psi (100 bar)
Fluid inlet	1/2" NPT (F)
Fluid outlet	1/2" NPT (F)
Wetted parts	Aluminum / Zinc plated steel / TPU / Polyamide
Fluid compatibility	Lubricants, ATF, antifreeze (Glycol) and antifreeze water solutions
Weight (with no outlet)	1 lb (470 g)

MANUAL FOR ALL CV11 SERIES VALVES: 836 854

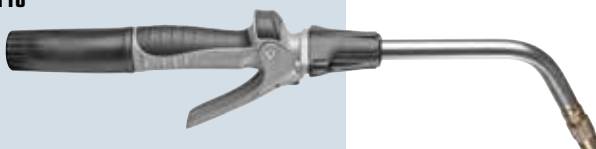
ORDERING INFORMATION		
PART No.	DESCRIPTION	OUTLET PART No.
363 100	Oil valve with no outlet	-
363 116	Oil valve with 60° rigid outlet and quarter turn non-drip tip	369 231
363 114	Oil valve with flexible outlet with 90° tube and quarter turn non-drip tip	369 227
363 117	Oil valve with formable outlet and quarter turn non-drip tip	369 233
363 118	Oil valve with formable outlet and quarter turn narrow non-drip tip (Ø 1/3")	369 240
363 113	Oil valve with straight flexible outlet and quarter turn non-drip tip	369 247

Non-drip tips are manufactured in brass. See page 85 for outlets.

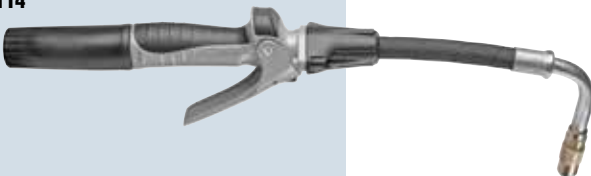
363 117



363 116



363 114



363 118



CONTROL VALVES FOR DISPENSING OIL AND OTHER FLUIDS



CV24 SERIES - HIGH FLOW OIL DISPENSE VALVE, 24 GAL/MIN

SAMSON large delivery control valves are used at the end of hose assembly to dispense large volumes of lubricants and antifreeze solutions.

FLUIDS HANDLED

- Synthetic and mineral based lubricants.
- Gear Oil.
- Hydraulic oil and fluids.
- ATF.
- Antifreeze solutions.

MARKETS SERVED

- Truck dealerships.
- Fleet service.
- Mining and construction.
- Lube trucks.
- Railroad and mass transit vehicles.

DURABILITY AND HIGH FLOW PERFORMANCE

- Extensively and rigorously field tested. Reliable performance.
- Heavy Duty aluminum pressure cast body to withstand the toughest working conditions.
- High flow pressure balanced valve for comfortable use.
- Large port inlet swivel (1" and 3/4"). Inlet filter with large screen surface.
- Safety guard avoids accidental openings.
- Trigger can be locked open for dispensing large volumes.
- Outlets have 3/4" BSP (M) connection thread and use a bonded seal washer to assure a leak free operation.

TECHNICAL DATA

Maximum flow rate	24 gal/min (90 l/min)
Maximum working pressure	1,450 psi (100 bar)
Fluid inlet	3/4" NPTF or 1" NPTF
Fluid outlet	3/4" BSP (F)
Wetted parts	Aluminum / Zinc plated steel and brass / NBR
Fluid compatibility	All type of synthetic and mineral oils, antifreeze solutions, hydraulic fluid
Weight	4.5 lb (2.05 kg)

MANUAL FOR ALL CV24 SERIES VALVES: 836 839

ORDERING INFORMATION

PART NO.	OUTLET NOZZLE TYPE	INLET SWIVEL THREAD
363 053	30° rigid with semiautomatic non-drip tip.	3/4" NPTF
363 054	Flexible outlet with semiautomatic non-drip tip.	3/4" NPTF
363 055	30° rigid with semiautomatic non-drip tip.	1" NPTF
363 056	Flexible outlet with semiautomatic non-drip tip.	1" NPTF

See page 85 for outlets.

363 054
363 056



363 053
363 055

05
VALVES AND
METERS

ELECTRONIC METERED CONTROL VALVES FOR DISPENSING OIL AND OTHER FLUIDS

EC8 SERIES - OVAL GEAR WITH DIGITAL DISPLAY HAND HELD METER, 8 GAL/MIN

SAMSON metered control valves are used at end of hose assembly for measured dispensing of lubricants and antifreeze solutions.

FLUIDS HANDLED

- Synthetic and mineral based lubricants.
- Gear Oil.
- Hydraulic oil and fluids.
- ATF.
- Antifreeze solutions.

MARKETS SERVED

- Car and truck dealerships.
- Fast lube and maintenance shops.
- Fleet service.
- Mining and construction.
- Lube trucks.

365 537



ACCURACY, DURABILITY AND HIGHER FLOW PERFORMANCE

- Extensively and rigorously field tested. Reliable performance.
- High precision machined measuring chamber with tight tolerances, quality gears and stainless steel shafts eliminate the need of calibration to adjust for fluid viscosity.
- Sealed battery compartment and isolated electronic register for extended life.
- Easy to read large character display, with batch, trip (resettable totalizer) and totalizer functions.
- Rough TPE boot surrounds the entire meter for even greater durability.
- Replaceable AAA batteries.

TECHNICAL DATA

Maximum flow rate	8 gal/min (30 l/min)
Accuracy	+/- 0.5 %
Maximum working pressure	1,450 psi (100 bar)
Batteries	2 x AAA 1.5 V alkaline batteries
Fluid inlet	1/2" NPT (F)
Fluid outlet	1/2" NPT (F)
Wetted parts	Acetal / Aluminum/ Stainless steel / NBR / Zinc plated steel / TPU / Polyamide
Fluid compatibility	Lubricants, ATF, antifreeze (glycol) and antifreeze - water solutions
Weight	2.86 lb (1,30 kg)

MANUAL FOR ALL EC8 SERIES VALVES: 836 854 + 836 853

Units of measure can be selected in quarts, gallons, pints or liters.

ORDERING INFORMATION

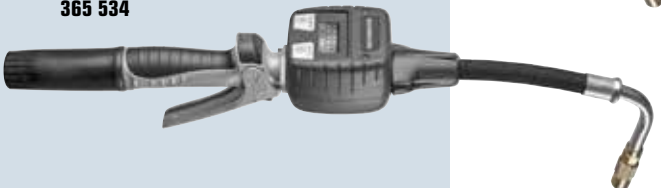
PART No.	OUTLET NOZZLE TYPE	OUTLET PART No.
365 521	Hose end meter with no outlet	-
365 536	60° rigid with quarter turn non-drip tip	369 231
365 534	Flexible outlet with 90° angled tube with quarter turn non-drip tip	369 227
365 537	Formable outlet with quarter turn non-drip tip	369 233
365 538	Formable outlet with quarter turn narrow non-drip tip (Ø 1/3")	369 240
365 533	Flexible straight with quarter turn non-drip tip	369 247

Non-drip tips are manufactured in brass.
See page 85 for outlets.

365 536



365 534



365 538



ELECTRONIC METERED CONTROL VALVES FOR DISPENSING OIL AND OTHER FLUIDS



EC19 SERIES - OVAL GEAR HAND HELD HIGH FLOW METER, 19 GAL/MIN

SAMSON High Flow metered control valves are used at the end of hose assembly for measured dispensing of large volumes of lubricants and antifreeze solutions.

FLUIDS HANDLED

- Synthetic and mineral based lubricants.
- Gear Oil.
- Hydraulic oil and fluids.
- ATF.
- Antifreeze solutions.

MARKETS SERVED

- Truck dealerships.
- Fleet service.
- Mining and construction.
- Lube trucks.
- Railroad and Mass Transit.

ACCURACY, DURABILITY AND HIGH FLOW PERFORMANCE

- Extensively and rigorously field tested. Reliable performance.
- High precision machined measuring chamber with tight tolerances, quality gears and stainless steel shaft eliminate the need of calibration to adjust for fluid viscosity.
- Sealed battery compartment and isolated electronic register for extended life.
- Easy to read large character display, with batch, trip (resettable totalizer) and totalizer functions.
- Rough TPE boot surrounds the entire meter for even greater durability.
- Replaceable AAA batteries.

TECHNICAL DATA

Maximum flow rate	19 gal/min (70 l/min)
Accuracy	+/- 0,5%
Maximum working pressure	1,450 psi (100 bar)
Batteries	2 x AAA 1.5 V alkaline batteries
Fluid inlet	3/4" NPTF or 1" NPTF
Fluid outlet	3/4" BSP (F)
Wetted parts	Acetal / Aluminum/ Stainless steel / Zinc plated steel and brass / NBR
Fluid compatibility	Lubricants, ATF, antifreeze (glycol) and antifreeze-water solutions
Weight	6.30 lb (2,85 kg)

MANUAL FOR ALL EC19 SERIES VALVES: 836 839 + 836 852

Units of measure can be selected in quarts, gallons, pints or liters.

ORDERING INFORMATION

PART No.	OUTLET NOZZLE TYPE	INLET SWIVEL THREAD
365 655	30° rigid with semiautomatic non-drip tip	3/4" NPT
365 654	Flexible outlet with semiautomatic non-drip tip	3/4" NPT
365 657	30° rigid with semiautomatic non-drip tip	1" NPT
365 656	Flexible outlet with semiautomatic non-drip tip	1" NPT

See page 85 for outlets.

365 534
365 657



365 655
365 657

05
VALVES AND
METERS

MECHANICAL METERED CONTROL VALVES FOR DISPENSING OIL AND OTHER FLUIDS

MC8 SERIES - ROTARY PISTON MECHANICAL METER, 8 GAL/MIN

SAMSON mechanical metered control valves are used at the end of hose assembly for measured dispensing of lubricants and antifreeze solutions in tough, intensive use applications.

365 801



FLUIDS HANDLED

- Synthetic and mineral based lubricants.
- Gear Oil.
- Hydraulic oil and fluids.
- ATF.
- Special model for antifreeze solutions available.

MARKETS SERVED

- Car and truck dealerships.
- Fast lube and maintenance shops.
- Fleet service.
- Mining and construction.
- Lube trucks.
- Railroad and Mass Transit.

ACCURACY AND DURABILITY WITH PROVEN PERFORMANCE

- Extensively and rigorously field tested. Reliable performance.
- No calibration required. High accuracy within a large viscosity range.
- One piece polycarbonate based integral register housing and single molded pointer knob guarantee maximum integrity of the meter against drops and impacts and provide superb protection against humidity.
- Fully mechanical register.
- Simple and easy to read dial includes 5-digit totalizer
- Very tough metal construction, the meter is ideal for intensive use and outdoor applications.
- CV11 SERIES control valve is flange coupled to eliminate the use of adaptors and eliminate leaks.

TECHNICAL DATA

Maximum flow rate	8 gal/min (30 l/min)
Accuracy	+/- 0.65 %
Maximum working pressure	1,450 psi (100 bar)
Fluid inlet	1/2" NPTF
Fluid outlet	1/2" NPTF
Wetted parts	Aluminum / Zinc alloy / Stainless steel / NBR / Brass / Steel / TPU / Polyamide
Fluid compatibility	Synthetic and mineral oils, ATF, Antifreeze, Gear oils
Weight	3.74 lb (1,7 kg)

MANUAL FOR ALL MC8 SERIES VALVES: 836 854 + 836 862

ORDERING INFORMATION

PART No.	OUTLET NOZZLE TYPE	OUTLET PART No.
QUARTS/GALLONS METERS. 4 - 16 QUARTS DIAL, TOTALIZER IN GALLONS - LUBRICANTS		
365 805	Flexible outlet with quarter turn non-drip tip	369 247
365 806	Formable outlet with quarter turn non-drip tip	369 233
365 802	60° Rigid outlet with quarter turn non-drip tip	369 231
QUARTS/GALLONS METERS. 4 - 16 QUARTS DIAL, TOTALIZER IN GALLONS - ANTIFREEZE		
365 826	Formable outlet with quarter turn non-drip tip	369 233
METRIC METERS. 0 - 10 LITERS DIAL, TOTALIZER IN LITERS - LUBRICANTS		
365 803	Flexible outlet with quarter turn non-drip tip	369 247
365 804	Formable outlet with quarter turn non-drip tip	369 233
365 801	60° Rigid outlet with quarter turn non-drip tip	369 231
METRIC METERS. 0 - 10 LITERS DIAL, TOTALIZER IN LITERS - ANTIFREEZE		
365 824	Formable outlet with quarter turn non-drip tip	369 233

Non-drip tips are manufactured in brass.

All models include inlet swivel with shroud and the outlet listed for each model.

See page 85 for outlets.

365 803



MECHANICAL METERED PRESET CONTROL VALVES FOR DISPENSING OIL AND OTHER FLUIDS



MC8P - ROTARY PISTON MECHANICAL PRESET METER, 8 GAL/MIN

SAMSON mechanical preset metered dispense valves allow filling of large crankcases, engines and other lubricant reservoirs. For automatic operation, set the dial pointer to the quantity needed and actuate the trigger for automatic latching. The valve will deliver the volume requested and then shut off.

365 817

FLUIDS HANDLED

- Synthetic and mineral based lubricants.
- Gear Oil.
- Hydraulic oil and fluids.
- ATF.

MARKETS SERVED

- Truck dealerships.
- Fleet service.
- Mining and construction.
- Lube trucks.
- Railroad and Mass Transit.



05
VALVES AND METERS

ACCURACY, DURABILITY AND EXTRA PERFORMANCE

- Extensively and rigorously field tested. Reliable performance.
- No calibration required. High accuracy within a large viscosity range.
- One piece polycarbonate based integral register housing and single molded pointer knob guarantee maximum integrity of the meter against drops and impacts and provide superb protection against humidity.
- The reset mechanism incorporates a safety clutch for preserving the preset mechanism in case the knob is turned in the wrong direction.
- High wear and stress resistant shut off mechanism.
- Simple and easy to read dial includes 5-digit totalizer
- Very tough metal construction, the meter is ideal for intensive use and outdoor applications.
- CV11 SERIES Control valve is flange coupled to eliminate the use of adaptors and eliminate leaks.

TECHNICAL DATA

Maximum flow rate	8 gal/min (30 l/min)
Accuracy	+/- 0.65 %
Maximum working pressure	1,450 psi (100 bar)
Fluid inlet	1/2" NPTF
Fluid outlet	1/2" NPTF
Wetted parts	Aluminum / Zinc alloy / Stainless steel / NBR / Brass / Steel / TPU / Polyamide
Fluid compatibility	Synthetic and mineral oils
Weight	4.40 lb (2 kg)

MANUAL FOR ALL MC8P SERIES VALVES: 836 868

ORDERING INFORMATION

PART No.	OUTLET NOZZLE TYPE	OUTLET NOZZLE PART No.
0 - 60 QUARTS DIAL, TOTALIZER IN GALLONS		
365 817	Rigid outlet with semiautomatic non-drip tip	369 244
0 - 60 GALLONS DIAL, TOTALIZER IN GALLONS		
365 813	Rigid outlet with semiautomatic non-drip tip	369 244
0 - 60 LITERS DIAL, TOTALIZER IN LITERS		
365 811	Rigid outlet with semiautomatic non-drip tip	369 244

See page 85 for outlets.

CONTROL VALVE FOR DISPENSING WATER BASED FLUIDS - 4 GAL/MIN



Part No. 186 300

Control handle with reinforced polyamide body and stainless steel valve mechanism for use with fluids like windshield wash solutions, glycol solution (anti-freeze) and other water based solutions. Includes brass inlet swivel with 1/2" NPTF connection thread and flexible outlet with 90° angled nozzle and quarter turn non-drip tip. Working pressure: 570 psi. Flow rate 8 gal/min.

METERED CONTROL VALVE FOR DISPENSING WATER BASED FLUIDS - 4 GAL/MIN

Part No. 365 575

Oval gear hose end meter with electronic display for measured delivery of windshield washer, coolant and antifreeze solutions. Display is powered with two easy to replace AAA alkaline batteries. Meter can measure in liters, quarts, pints and US gallons. Fluid inlet: 1/2" NPT (F). Maximum working pressure: 435 psi. Operating temperature range: 15 to 140 °F. Flow rate 8 gal/min.

PRESET DIGITAL METERS FOR LUBRICANTS

Part No. 2199

Electronic preset meter designed to meter and dispense bulk fluids servicing automobiles, trucks, buses and other similar applications. The meter is light weight, rugged and has a comfortable grip. It can be used with motor oils, gear oils, ATF, pure antifreeze and hydraulic fluids. Works with 4 AAA alkaline batteries. Includes inlet swivel and rigid outlet with quarter-turn non-drip tip. Fluid inlet: 1/2" NPT (F). Maximum working pressure: 100 psi. Operating temperature range: 23 to 122 °F. Flow rate 8 gal/min.

Part No. 2199SF

Same as Part No. 2199, but suitable for antifreeze and windshield wash solutions. Fluid inlet: 1/2" NPT (F). Maximum working pressure: 100 psi. Operating temperature range: 23 to 122 °F. Flow rate 8 gal/min.

Part No. 365 300

Oval gear hose end meter with preset function. Preset mode dispensing allows hands off operation as the meter automatically shuts off once the preset volume is delivered. Meter with digital display, works with four easy to replace AAA alkaline batteries. Includes inlet swivel and adjustable rigid outlet with automatic non-drip nozzle. Fluid inlet: 1/2" NPT (F). Maximum working pressure: 1,015 psi. Operating temperature range: 23 to 122 °F. Flow rate 8 gal/min.

OIL BARS

For dispensing up to four bulk lubricants. With removable catch pan for ease of containing spills and spring loaded non-drip dispense valve. Dimensions: 18 1/2" x 22 3/4" x 13 1/4".

Part No. OB-1. Single product fluid dispensing bar, complete as shown.

Part No. OB-2. With two spigots for dispensing two products

Part No. OB-3. With three spigots for dispensing three products

Part No. OB-4. With four spigots for dispensing four products.

Part No. 361 110. Outlet kit to add a tap to existing bars.

Part No. 366 550. In-line digital meter kit for oil bars.

Part No. 949 001. Hose connector kit. Includes 2' connection hose, 1/2" NPTMBE swivel, and 1/2" NPTFBE medium pressure ball valve.

SPIGOT VALVES

Part No. 1900

Dispensing valve with self closing spigot valve. Connects to PumpMaster-2 both 1:1 or 3:1 pressure ratio pumps. Connecting thread: 3/4" NPTM.



Pump not included

DISPENSE VALVE ACCESSORIES



DISPENSE VALVE OUTLETS AND NON-DRIP TIPS 369 223

For metered and non-metered control valves. 1/2" NPTM connection thread

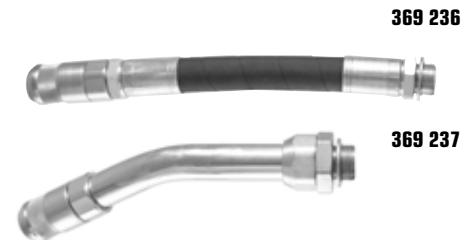
PART No.	DESCRIPTION
369 223	Flexible outlet with automatic non-drip tip.
369 227	Flexible outlet with 90° angled nozzle and quarter turn non-drip tip.
369 229	Flexible outlet with 90° angled nozzle and automatic non-drip tip
369 231	60° rigid outlet with quarter turn non-drip tip.
369 233	Formable outlet with quarter turn non-drip tip.
369 240	Formable outlet with quarter turn narrow tip to fit on ATF and gear oil fills.
369 247	Flexible outlet with quarter turn non-drip tip
369 221	Automatic non-drip tip. 1/4" BSPF
369 222	Quarter turn non-drip tip. 1/4" BSPF
369 238	Quarter turn non-drip narrow tip. 1/4" BSPF

1129	Inlet swivel, for use with 2199 preset meters
736 628	Inlet swivel, 1/2" NPTF, for use with EC8 and MC8 meters



For metered and non-metered dispense valves **SERIES CV24 and EC19 only.**
3/4" BSPM connection thread. With bonded seal washer to guarantee a leak-free connection.

PART No.	DESCRIPTION
369 236	Flexible outlet with semiautomatic non-drip tip
369 237	60° rigid outlet with semiautomatic non-drip tip



For MC8P preset dispense valve. 1/2" NPTM connection thread.

PART No.	DESCRIPTION
369 244	Straight rigid outlet with semiautomatic non-drip tip



MULTI-COLOR METER BOOTS

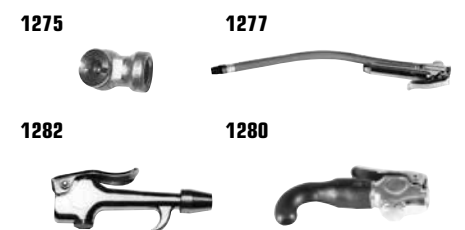
Part No. 369 606
Four color outlet thread boot pack for use with CV11 AND EC8 SERIES control valves.



AIR AND FLUID SERVICE VALVES

Part No. 1275
Air chuck, 1/4" NPTF
Part No. 1277
Inflator gauge, 1/4" NPTF
Part No. 1280.
Water bibb, 1/4" NPTF

Part No. 1282
Air blow gun, 1/4" NPTF
Part No. 94122048
1/4" NPTM x 3/8" NPTF brass reducer



GREASE DISPENSE HANDLES

413 080



High pressure grease dispense handle with ergonomic body and trigger designed to reduce operator hand fatigue. Manufactured in aluminum with steel insert for high pressure.
 Maximum working pressure: 8,000 psi.
 Inlet thread: 1/4" NPTF.
 Outlet thread: 1/8" NPTF.

Part No. 413 077

Grease control handle with rigid outlet and 3 jaw coupler (PN 121 050).

Part No. 413 080

Grease control handle with 1105 z-swivel, rigid outlet and 3 jaw coupler (PN 121 050).

Part No. 413 081

Grease control handle with 18" double steel braid reinforced rubber hose and 3 jaw coupler (PN 121 050).

Part No. 413 082

Grease control handle with 1105 z-swivel and 18" double steel braid reinforced rubber hose with 3 jaw coupler (PN 121 050).

1177



ELECTRONIC-METERED GREASE DISPENSE HANDLE

Part No. 1177

Same as Part No. 413 082, except with 411 103 grease meter (see next page).

Meter batch display in ounces and permanent totalizer in pounds. Works with two 1.5 V AAA alkaline batteries.
 Maximum pressure: 8,000 psi.
 Accuracy: ± 3,0%

DOUBLE STEEL BRAID GREASE OUTLET HOSES

Maximum working pressure 7,000 psi.
 1/8" NPTM threads.

GREASE OUTLET HOSES ONLY

PART No.	LENGTH
140 030	12"
140 050	18"

GREASE OUTLET HOSES WITH 3 JAW CONNECTOR

PART No.	LENGTH
142 030	12"
142 050	18"

GREASE CONTROL HANDLE SWIVELS

1105



1109



Equipped with ball bearings for easy articulation even at high pressure. For best results, use a straight swivel between the pump and distribution hose and Z-swivel between the hose and grease control gun. Maximum working pressure: 8,000 psi.

Part No. 1104

"Z" inlet swivel. 1/4" NPTM x 1/2"-27M.

Part No. 1105

"Z" inlet swivel. 1/4" NPTM x 1/4" NPTF.

Part No. 1108

Straight swivel. 1/4" NPTM x 1/2"-27M.

Part No. 1109

Straight swivel. 1/4" NPTM x 1/4" NPTF.

GREASE CONTROL GUN OUTLETS

1122



Part No. 1122

Rigid outlet with 3 jaw hydraulic grease coupler. (PN 121 050).

Part No. 1120

Rigid outlet.

IN-LINE METERS WITH DIGITAL DISPLAY

Oval gear meters for use with oil, DEF, anti-freeze, windshield wash solutions and diesel, depending on the meter wetted materials. Meters include electronic register and it is powered with two AAA alkaline batteries. Meter display is multi-function, showing the volume dispensed by delivery, and has a permanent and a resettable totalizer (trip function). The display can be programmed to show delivery in liters, quarts, pints and US gallons. Meters can be calibrated for maximum accuracy.



MODELS AND TECHNICAL DATA

PART No.	366 000	366 010	366 020	366 060
WETTED PARTS	ALUMINUM , acetal, AISI 316 stainless steel, NBR	PVC , Vectra®, AISI 316 stainless steel, Viton®	AISI 316 STAINLESS STEEL , Vectra®, Viton®	ALUMINUM , acetal, AISI 316 stainless steel, NBR
APPLICATIONS	Medium pressure dispense of lubricants	Low pressure dispense of DEF, antifreeze and windshield wash solutions	Medium pressure dispense of DEF, antifreeze and windshield wash solutions	High volume, medium pressure dispense of lubricants and diesel
CONNECTION THREADS	1/2" NPT (FF)	1/2" BSPP (FF)	1/2" NPT (FF)	3/4" NPT (FF)
FLOW RANGE	0.25 - 8 gal/min	0.25 - 14 gal/min	0.25 - 14 gal/min	2 - 21 gal/min
PULSE PER QUART	155	152	152	104
MAX. WORKING PRESSURE	1,450 psi	450 psi	1,450 psi	1,450 psi

OVAL GEAR IN LINE METER FOR GREASE WITH ELECTRONIC DIGITAL DISPLAY

411 103

Part No. 411 103

In line grease meter. High pressure oval gear meter with digital display. Batch display in ounces and permanent totalizer in pounds. Works with two 1,5 V AAA alkaline batteries.

Maximum pressure: 8,000 psi.

Maximum flow range: up to 2.2 lb/min.

Accuracy: ± 3.0 %.

Inlet and outlet connections: 1/8" NPTF.



06 BULK FLUID DISPENSING PACKAGES

BULK FLUID DISPENSING PACKAGES	90
BULK FLUID DISPENSING PACKAGES, 140 GAL.	91
BULK FLUID DISPENSING PACKAGES, 230 GAL.	92
BULK FLUID DISPENSING PACKAGES, 330 GAL.	93
TANK-LESS PUMP AND REEL PACKAGES	94



BULK FLUID DISPENSING PACKAGES

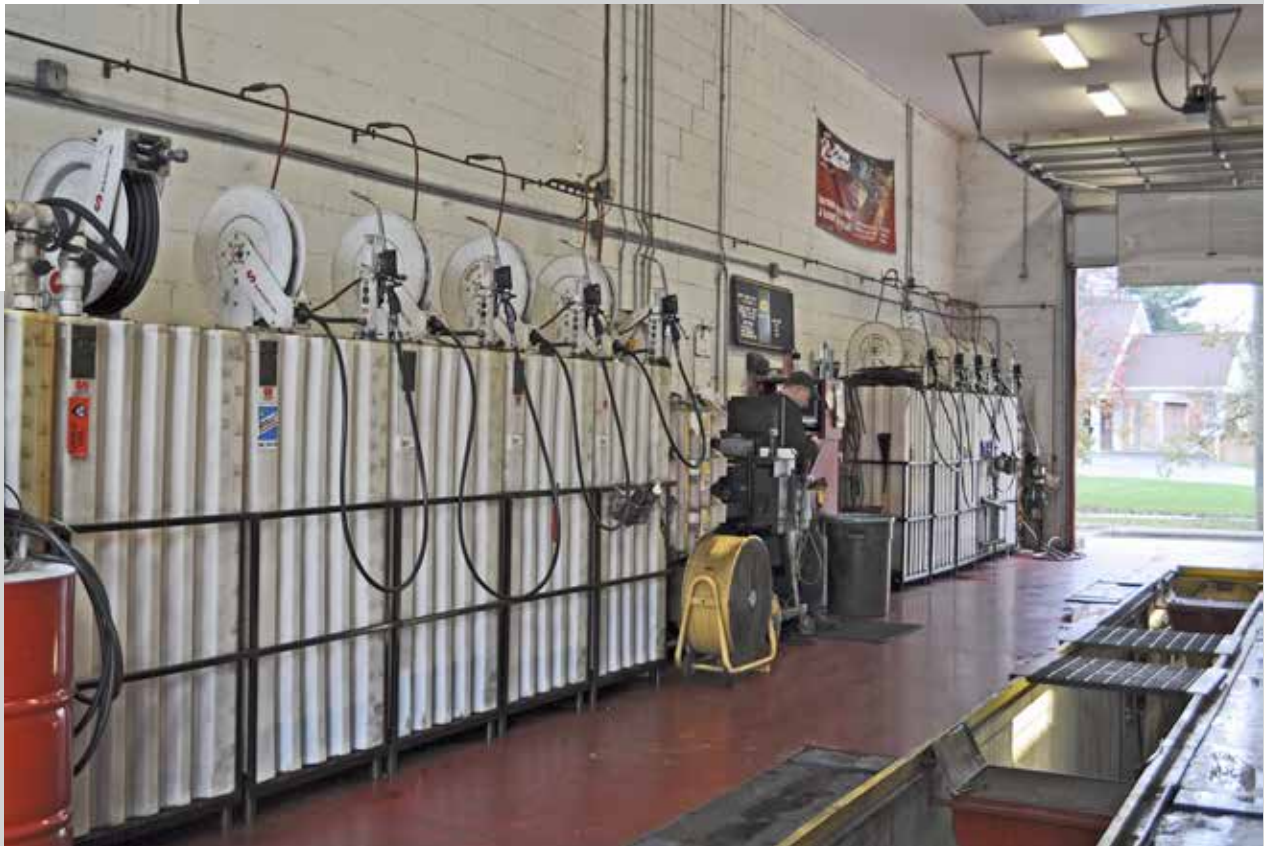
Complete bulk fluid dispensing packages with 140, 230 and 330 Gallon CUBET tanks. CUBET tanks are ULC listed and they are made from HD-8760 high density copolymer that offers the following advantages:

- Environmentally superior.
- Long term UV stabilization.
- 250 mil wall thickness.
- Level always visible, no gauge needed.
- No vent cap needed.
- Will not leak or rust, seamless construction.
- Space saving, conserves floor space.
- Three 2" bung openings.

CUBETS can accommodate oil, water based fluids and other chemicals. They are also available with a dual containment steel basket that holds 110% of the tank volume.

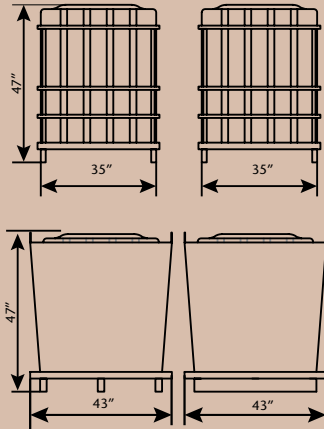


C 142.14



140 GAL PACKAGES

Dimensions



Tanks contain three 2" bung openings



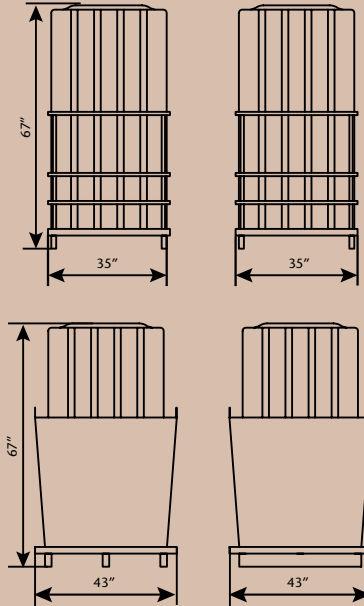
06
BULK PACKAGES

PART No.	DISPENSE HOSE	DISPENSE HANDLE	TANK TYPE	FLUIDS
BARE TANKS				
3140	140 gal tank - tank and cage only		Cage	ALL
3140DC	140 gal tank - tank and dc only		Dual containment	ALL
PACKAGES FOR OIL WITH PM2 3:1 PUMP				
3214	10' Hose 847	Metered handle 365 536	Cage	OILS
3214DC			Dual containment	OILS
3216	30' x 1/2" hose reel 506 202		Cage	OILS
3216DC			Dual containment	OILS
3216P		Preset metered handle 365 817	Cage	OILS
3216DCP			Dual containment	OILS
PACKAGES FOR DEF WITH AIR-POWERED DIAPHRAGM PUMP 552 015				
550 004 140	30' x 1/2" hose reel 506 702	Automatic nozzle 688 303	Cage	DEF
PACKAGES FOR DEF WITH 110 V AC ELECTRIC DIAPHRAGM PUMP 560 215				
555 112 140	30' x 1/2" hose reel 506 702	Automatic nozzle 688 303	Cage	DEF
PACKAGES FOR WATER BASED FLUIDS WITH AIR-POWERED DIAPHRAGM PUMP 552 016				
3218	10' Hose 824 2	Dispense handle 186 300	Cage	WWF/AF
3218DC			Dual containment	WWF/AF

230 GAL PACKAGES



Dimensions



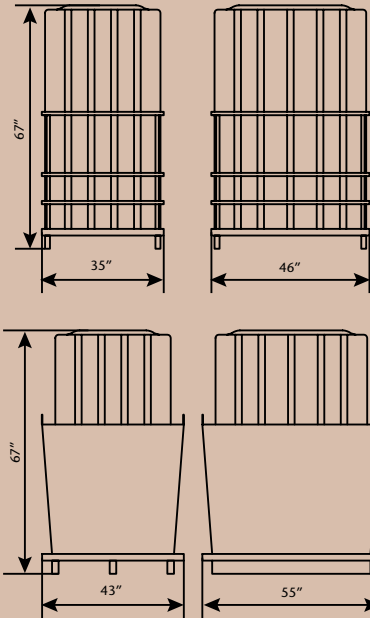
Tanks contain three 2" bung openings

06
BULK
PACKAGES

PART No.	DISPENSE HOSE	DISPENSE HANDLE	TANK TYPE	FLUIDS
BARE TANKS				
3223	230 gal tank - tank and cage only		Cage	ALL
3223DC	230 gal tank - tank and DC only		Dual containment	ALL
PACKAGES FOR OIL WITH PM2 3:1 PUMP				
3234	10' Hose 847	Metered handle 365 536	Cage	OILS
3234DC			Dual containment	OILS
3232	30' x 1/2" Hose reel 506 202		Cage	OILS
3232DC			Dual containment	OILS
3236	50' x 1/2" Hose reel 506 222	Preset metered handle 365 817	Cage	OILS
3236DC			Dual containment	OILS
3236P			Cage	OILS
3236DCP			Dual containment	OILS
PACKAGES FOR OIL WITH PM4 5:1 PUMP				
3238	50' x 1/2" Hose reel 506 222	Metered handle 365 536	Cage	OILS
3238DC			Dual containment	OILS
PACKAGES FOR DEF WITH AIR-POWERED DIAPHRAGM PUMP 552 164A				
550 004 230	30' x 1/2" Hose reel 506 702	Automatic nozzle 688 303	Cage	DEF
PACKAGES FOR DEF WITH 110 V AC ELECTRIC DIAPHRAGM PUMP 560 215				
555 112 230	30' x 1/2" Hose reel 506 702	Automatic nozzle 688 303	Cage	DEF
PACKAGES FOR WATER BASED FLUIDS WITH AIR-POWERED DIAPHRAGM PUMP 552 164				
3228R	30' x 1/2" Hose reel 506 122	Dispense handle 186 300	Cage	WWF/AF
3228RDC			Dual containment	WWF/AF
3228	10' Hose 824 2		Cage	WWF/AF
3228DC			Dual containment	WWF/AF

330 GAL PACKAGES

Dimensions



Tanks contain three 2" bung openings



PART No.	DISPENSE HOSE	DISPENSE HANDLE	TANK TYPE	FLUIDS	
BARE TANKS					
3333	330 gal bulk tank - tank and cage only		Cage	ALL	
3333DC	330 gal bulk tank - tank and dc only		Dual containment	ALL	
PACKAGES FOR OIL WITH PM2 3:1 PUMP					
3334	10' Hose 847	Metered handle 365 536	Cage	OILS	
3334DC			Dual containment	OILS	
3332	30' x 1/2" Hose reel 506 202		Cage	OILS	
3332DC			Dual containment	OILS	
3336	50' x 1/2" Hose reel 506 222	Preset metered handle 365 817	Cage	OILS	
3336DC			Dual containment	OILS	
3336P			Cage	OILS	
3336DCP			Dual containment	OILS	
PACKAGES FOR OIL WITH PM4 5:1 PUMP					
3338	50' x 1/2" Hose reel 506 222		Metered handle 365 536	Cage	OILS
3338DC		Dual containment		OILS	
3338P		Preset metered handle 365 817	Cage	OILS	
3338DCP			Dual containment	OILS	
PACKAGES FOR DEF WITH AIR-POWERED DIAPHRAGM PUMP 552 164A					
550 004 330	30' x 1/2" hose reel 506 702	Automatic nozzle 688 303	Cage	DEF	
PACKAGES FOR DEF WITH 110 V AC ELECTRIC DIAPHRAGM PUMP 560 215					
555 112 330	30' x 1/2" hose reel 506 702	Automatic nozzle 688 303	Cage	DEF	
PACKAGES FOR WATER BASED FLUIDS WITH AIR-POWERED DIAPHRAGM PUMP 552 164					
3328R	30' x 1/2" hose reel 506 122	Dispense handle 186 300	Cage	WWF/AF	
3328RDC			Dual containment	WWF/AF	
3328	10' Hose 824 2		Cage	WWF/AF	
3328DC			Dual containment	WWF/AF	

TANK-LESS PUMP AND REEL PACKAGES

Tank-less packages include a PM2 3:1, PM4 5:1 or PM35 5:1 stub pump with bung adaptor, air quick coupler, air nipple and air filter and regulator combo with a hose and metered oil gun listed for each package model.

Packages does not include extension tube for the stub pump

ORDERING INFORMATION

INCLUDED PUMP	HOSE REEL	BUSHING ⁽¹⁾	ADAPTOR ⁽²⁾	HOSE END METER	FILTER + REGULATOR	AIR COUPLER	AIR NIPPLE	PACKAGE PART No.
PM2 3:1 STUB PUMP WITH BUNG ADAPTOR, PN 353 120	506 202	2065	2051	365 537	955	930F04	933M04	900 340
	1426	2065	2051	365 537	955	930F04	933M04	900 341
	1426	2065	2051	365 806	955	930F04	933M04	900 342
PM4 5:1 STUB PUMP WITH BUNG ADAPTOR, PN 347 120	1426	2065	2052	365 537	957	930F06	933M06	900 540
	1426	2065	2052	365 806	957	930F06	933M06	900 541
	504 250	2065	2052	365 537	957	930F06	933M06	900 542
	504 250	2065	2052	365 806	957	930F06	933M06	900 543
	504 250	2065	2052	365 817	957	930F06	933M06	900 544
PM35 5:1 STUB PUMP WITH BUNG ADAPTOR, PN 535 531	1426	2097	2052	365 537	957	930F06	933M06	900 440
	1426	2097	2052	365 806	957	930F06	933M06	900 441
	504 250	2097	2052	365 806	957	930F06	933M06	900 442
	504 250	2097	2052	365 817	957	930F06	933M06	900 443

(1) For pump to hose reel connection
(2) For pump to FR connection

900 340

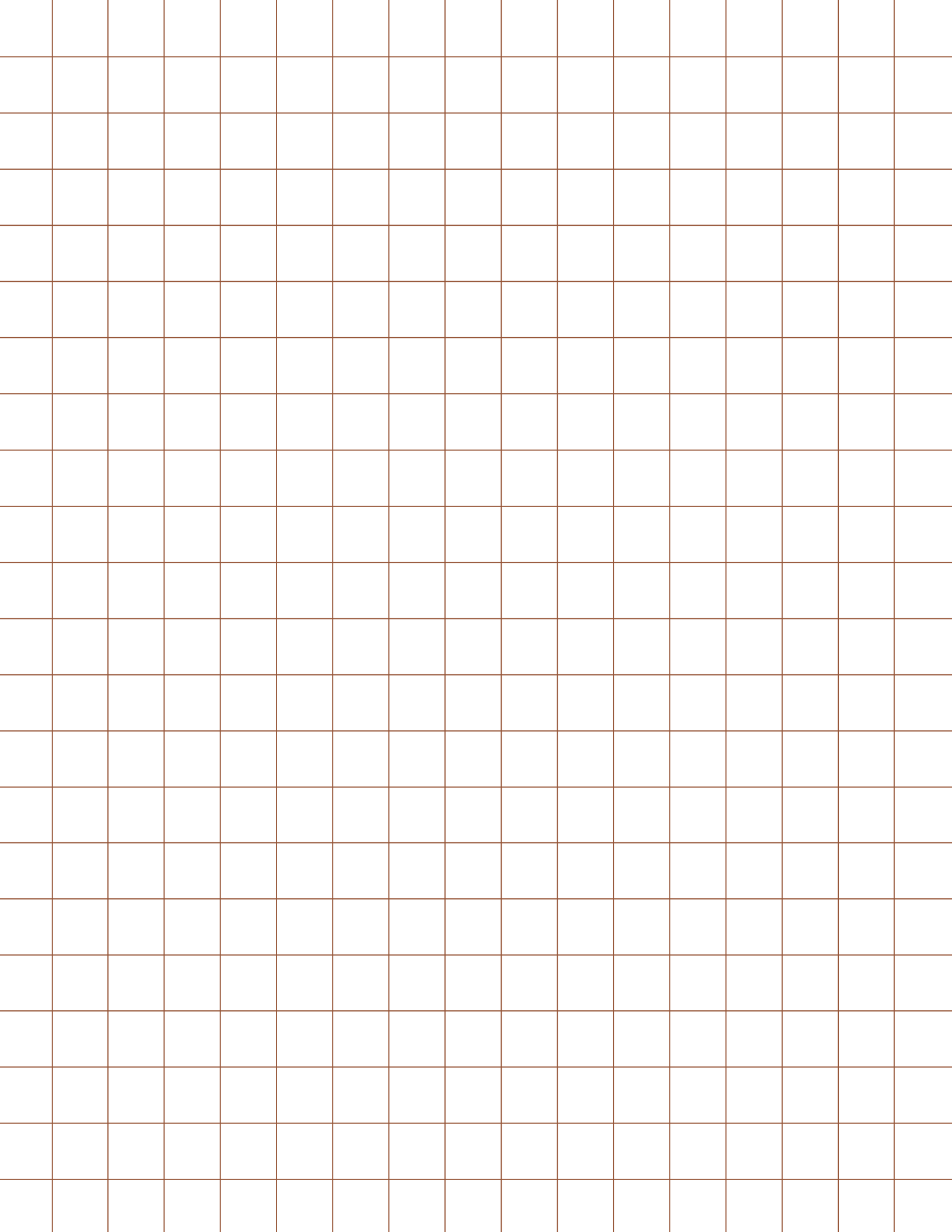


900 543



900 443





07 DEF DISPENSING KITS

LEVER ACTION AND PNEUMATIC PUMP KITS	96
ELECTRIC PUMP KITS	97
PORTABLE AND STATIONARY PACKAGES	98
DEF PUMP ACCESSORIES	99
COUPLERS, FITTINGS AND HOSES	100



LEVER ACTION AND PNEUMATIC PUMP KITS



LEVER ACTION PUMP KITS

All Polypropylene construction with EPDM seals, 2" BSP bung threads and a unique adjustable locking nut to allow the pump to be fixed in the proper position on the barrel for dispensing. Delivers over 8 oz per stroke. The telescopic suction tube extends from 12.5 to 37 inches to fit most containers, including 5, 16 and 55 gallon commercial sizes. 8 foot dispense hose.

PART No.	DESCRIPTION
300 602	Lever pump (polypropylene / EPDM) with 750 540 8' dispense hose and 361 003 handle
300 601	Lever pump with 750 540 8' dispense hose, 361 003 handle and 366 760 meter



361 003



366 760



750 540

STANDARD DUTY PNEUMATIC PUMP KITS (UNASSEMBLED) - Directflo® PUMPS (NON-METERED)

Pneumatic kits are complete as shown, with a 991 air regulator/gauge and 930/931 air coupler and nipple. Suction hose end terminates in a 3/4" BSPP (F) PP nipple, order Micromatic suction adaptor separately. Assembly instructions included. (No suction coupler included).

KIT PART No.	PUMP	BRACKET	OUTLET HOSE	HANDLE	METER	INLET HOSE
560 301A	552 164A	360 137	20' (750 538)	Standard 361 003	-	5' Hose
560 303A	552 164A	360 137	20' (750 538)	Automatic 688 303	-	5' Hose

560 301A



55 Gallon 275/330 G

560 303A



55 Gallon 275/330 G

STANDARD DUTY PNEUMATIC PUMP KITS (UNASSEMBLED) - Directflo® PUMPS (METERED)

KIT PART No.	PUMP	BRACKET	OUTLET HOSE	HANDLE	METER	INLET HOSE
560 302A	552 164A	360 137	20' (750 538)	Standard 361 003	366 760	5' Hose
560 304A	552 164A	360 137	20' (750 538)	Automatic 688 303	366 760	5' Hose

560 302A



55 Gallon 275/330 G

560 304A



55 Gallon 275/330 G

NOTE: Order a 1305 or 1307 and make it portable!

STANDARD-DUTY KITS WITH SOLURA SERIES PUMP WITH BRACKET (UNASSEMBLED)

Electric pump kits (120V) are complete as shown, with a 10' power cord. Suction hose end terminates in a 3/4" BSPP (F) PP nipple, order Micromatic suction adaptor separately. Assembly instructions included. (No suction coupler included).

KIT PART No.	PUMP	BRACKET	OUTLET HOSE	HANDLE	METER	INLET HOSE
560 301E	560 215	360 137	20' (750 538)	Standard 361 003	-	5' Hose
560 303E	560 215	360 137	20' (750 538)	Automatic 688 303	-	5' Hose



560 301E



560 303E

STANDARD-DUTY KITS WITH SOLURA SERIES PUMP WITH BRACKET AND METER (UNASSEMBLED)

Electric pump kits (120V) are complete as shown, with meter and a 10' power cord. Suction hose end terminates in a 3/4" BSPP (F) PP nipple, order Micromatic suction adaptor separately. Assembly instructions included. (No suction coupler included).

KIT PART No.	PUMP	BRACKET	OUTLET HOSE	HANDLE	METER	INLET HOSE
560 302E	560 215	360 137	20' (750 538)	Standard 361 003	366 760	5' Hose
560 304E	560 215	360 137	20' (750 538)	Automatic 688 303	366 760	5' Hose

NOTE: Order a 1305 or 1307 and make it portable!



560 302E



560 304E

"ASSEMBLED AND TESTED"



550 014

555 111

PREMIUM HEAVY-DUTY PORTABLE PACKAGES

Part No. 550 014

Heavy-duty portable air operated package for 55 gallon drum with dispense hose includes 1305 three wheel heavy-duty cart with 552 164A DF50 diaphragm pump, 366 010 DEF meter, 750 524 3/4" x 12' dispense hose with stainless steel fittings, 1/4" filter regulator combo, 1/4" coupler and connector and 688 303 stainless steel automatic nozzle.

Part No. 555 111

120 VAC electric pump complete package with portable drum cart. Includes 1305 heavy-duty cart with large pneumatic tires and locking/steering rear caster; allows for easy maneuvering and secure positioning of cart. Includes 560 215 120 VAC swash plate piston pump; 8 gal/min flow rate; 10' power cord, 750 524 3/4" x 12' dispense hose, 688 303 stainless steel automatic shut off nozzle and 366010 battery powered digital meter with display.

NOTE:

3/4" Suction hose terminates in 3/4" BSPP (M) fitting, order suction coupler separately from accessories page.



555 004

550 367

PNEUMATIC PREMIUM HEAVY DUTY STATIONARY PACKAGES

Part No. 555 004

Diaphragm pump & hose reel package includes 552 164A DF50 diaphragm pump, 506 702 30' hose reel, 366 010 meter, 955 air filter regulator combo, 950 321 mini air shut off valve, 5' fluid connecting hose, 5' air connecting hose, 8' suction hose and 688 303 stainless steel automatic nozzle. 3/4" suction hose terminates in 3/4" male BSPP O-ring fitting, order suction coupler separately from the accessories page.

Part No. 550 367

Diaphragm pump & hose package includes 552 164A DF50 diaphragm pump, 750 524 3/4" x 12' dispense hose, 366 010 meter, 955 air filter regulator combo, 950 321 mini air shut off valve, 5' fluid connecting hose, 5' air connecting hose, 8' suction hose and 688 303 stainless steel automatic nozzle. 3/4" suction hose terminates in 3/4" male BSPP O-ring fitting, order suction coupler separately from the accessories page.



555 112

555 113

ELECTRIC PREMIUM HEAVY DUTY STATIONARY PACKAGES

Part No. 555 112

120 VAC electric pump complete stationary package. Includes 560 215 120 VAC pump; 8 gal/min; 10' power cord, 506 702 30' hose reel, 680 303 stainless steel automatic nozzle, 366 010 battery powered digital meter with display. 3/4" suction hose terminates in 3/4" BSPP (M) Fitting, order suction coupler separately from the accessories page.

Part No. 555 113

120 VAC electric pump complete stationary package. Includes 560 215 120 VAC pump; 8 gal/min; 10' power cord, 680 303 stainless steel automatic nozzle, 366 010 battery powered digital meter with display. 12' dispense hose. 3/4" suction hose terminates in 3/4" BSPP (M) Fitting, order suction coupler separately from accessories page.

NOTE:

Stationary kits are mounted to a plate that can be mounted to 360 109 wall mount bracket or 360 106 top tote bracket, order separately.

DEF PUMP ACCESSORIES



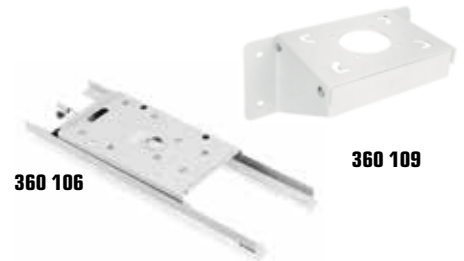
DEF HANDLES	
PART No.	DESCRIPTION
361 001	Plastic manual handle with locking trigger, 3/4" male plastic barb inlet
361 002	Plastic manual handle with locking trigger, 1" male plastic barb inlet
361 003	Plastic manual handle with locking trigger, 1" BSPP female threaded inlet
688 302	Stainless automatic with magnetic interlock and override ring 3/4" BSPP (F)
688 303	Stainless automatic 3/4" BSPP (F)



METERS, PULSERS, SOLENOIDS	
PART No.	DESCRIPTION
366 010	Digital meter totalizer; dispenses in pints, quarts, gallons or liters; 1/2" BSPP (F), 13 gal/min, 450 psi
366 760	Turbine flow meter measures up to 99,999 Units in qt/pt/l/g and totalizes in l/g. Includes resettable and non-resettable totalizer. Polyamide body with polypropylene impeller 1" BSPP (M) inlet and outlet
680 301	Pulser: 1/2 BSPP (F) 8 gal/min
680 299	High volume pulser; 1" BSPP (F) 25 gal/min
389 002	Stainless steel solenoid: 1/2" BSPP (F) 24 VDC: normally closed
389 003	Stainless steel solenoid; 1" BSPP (F) 24 VDC: normally closed



MOUNTING BRACKETS	
PART No.	DESCRIPTION
360 109	Wall mount
360 106	Tote top mount
360 137	Drum/ tote bracket



SUCTION SYSTEMS	
PART No.	DESCRIPTION
910 311	Four prong Micromatic RSV SS/SS coupler
910 311P	Four prong Micromatic RPV composite coupler
910 319	Three prong Micromatic EPV SS/POLY coupler
910 312	Micromatic RSV SS regular NPT bung thread four prong insert (normal bung thread/pipe thread)
910 312P	Micromatic RPV composite regular NPT bung thread four prong insert (normal bung thread/pipe thread)
910 313	Micromatic RSV SS coarse/buttress thread four prong insert
910 313P	Micromatic RPV composite insert coarse/buttress thread four prong insert
910 314	275 IBC/drum length suction tube 41" for Micromatic RSV/RPV insert (cut to 31.5 to fit drum)
910 317	330 IBC/tank length suction tube 60" for Micromatic insert





NOTE: RSV and RPV are fully interchangeable with each other and differ only in the materials of construction. EPV is a different system and is not interchangeable.



NOTE: Micromatic EPV plastic inserts require special tools and special down tubes to install and are normally only available on single use containers already fitted by the packager. Insert shown for illustration only, not available from SAMSON.

COUPLERS, FITTINGS AND HOSES

PART No.	STAINLESS STEEL		PART No.	POLYPROPYLENE	
93160004	1/2" BSPP (M) x 3/4" BSPP (M) SS	 945 708	689 059	1/2" BSP (M) x 1/2" BSP (M) PP	 689 072
93160008	1/2" BSPP (M) x 1/2" BSPP (M) SS		689 061	1/2" BSP (F) x 3/4" BSP (F) PP	
93160023	1/2" BSPP (M) x 1" BSPP (M) SS		689 062	1/2" BSP (M) x 3/4" BSP (F) PP	
93160024	3/4" BSPP (M) x 3/4" BSPP (M) w/seal ring SS		689 056	3/4" BSP (F) x 1" BSP (F) PP	
93160005	3/4" BSPP (M) x 1" BSPP (M) SS		689 055	1" BSP (F) x 1" BSP (F) PP	
944 631	Hose clamp for 1" hose SS		689 060	1" BSP (M) x 1" BSP (M) PP	
944 628	Hose clamp for 3/4" hose SS		689 054	1/2" BSP (M) x 3/4" hose barb PP	
945 708	1" BSPP (F) X 1" BSPP (F) coupler w/base seal SS		689 058	90 DEGREE 3/4" BSP (F) x 3/4" hose barb PP	
945 725	3/4" BSPP (M) x 3/4" hose barb swivel SS		945 580	3/4" BSP (M) x 3/4" hose barb PP	
945 731	1" BSPP (F) - 3/4" hose barb swivel SS-PP		689 045	1" BSP (M) x 3/4" hose barb PP	
945 631	1/2" BSPP (F) swivel nut x 1/2" hose barb SS	689 072	1" BSP (F) x 3/4" hose barb PP		
945 632	90° 1/2" BSPP (F) swivel nut x 1/2" hose barb SS	689 046	1" BSP (M) x 1" hose barb PP		
945 635	1/2" NPT (M) x 1/2" hose barb SS	689 073	1" BSP (F) x 1" hose barb PP		
945 636	3/4" BSPP (M) x 1/2" HOSE BARB SS	689 076	S64 x 5M (M) buttress to 2" BSP (F) PP		
945 703	1/2" BSPP (M) x 1/2" NPT (M) SS				
945 705	1/2" BSPP (M) x 1/2" BSPP (M) SS				
945 711	1" BSPP (M) x 3/4" BSPP (M) SS				
945 722	3/4" BSPP (M) - 3/4" BSPP (M) SS				
945 730	1/2" BSPP (M) -1/2" BSPP (F) SS				

PART No.	DESCRIPTION	HOSE DIAMETER	LENGTH	ONE END	OTHER END
750 522	3' DEF hose 90° x 90°	1/2"	3'	90° cone W O-ring 1/2 (F)	90° Cone W O-ring 1/2 (F)
750 523	8' 1/2" DEF hose 90° x 3/4 BSPP (M)	1/2"	8'	90° cone W O-ring 1/2 (F)	3/4" BSPP (M)
750 524	12' 1/2" DEF hose 90° x 3/4 BSPP (M)	1/2"	12'	90° cone W O-ring 1/2 (F)	3/4" BSPP (M)
750 385	30' 1/2" DEF hose 90° x 3/4 BSPP (M)	1/2"	30'	90° cone W O-ring 1/2 (F)	3/4" BSPP (M)
750 526	8' 3/4" DEF hose 90° x open	3/4"	8'	90° cone W O-ring 1/2 (F)	Open
750 527	3' 1/2" DEF hose 90° x 1" BSPP (M)	1/2"	3'	90° cone W O-ring 1/2 (F)	1" BSPP (M)
750 528	8' 1/2" DEF hose 3/4" BSPP (M) X 1" BSPP (M)	1/2"	8'	3/4" BSPP (M)	1" BSPP (M)
750 530	30" 3/4 (F) sweep x 1" BSPP (M)	3/4"	30"	90° cone W O-ring 3/4 (F)	1" BSPP (M)
750 531	30" 3/4 (F) sweep x 1" BSPP (F) SWIVEL	3/4"	30"	90° cone W O-ring 3/4 (F)	1" BSPP (F) SW
750 532	40" 3/4 (F) sweep x 1" BSPP (F) SWIVEL	3/4"	40"	90° cone W O-ring 3/4 (F)	1" BSPP (F) SW
750 533	50" 3/4 (F) sweep x 1" BSPP (F) SWIVEL	3/4"	50"	90° cone W O-ring 3/4 (F)	1" BSPP (F) SW
750 534	20" 3/4 (F) sweep x 1" BSPP (F) SWIVEL	3/4"	20"	90° cone W O-ring 3/4 (F)	1" BSPP (F) SW
750 535	30" 3/4 (F) sweep x 1" BSPP (F)	3/4"	3'	90° cone W O-ring 3/4 (F)	1" BSPP (F) SW
750 537	50' DEF hose standard duty single braid suction/dispense	3/4"	50'	Open	Open
750 538	20' DEF hose standard duty single braid suction/dispense	3/4"	20'	Open	Open
750 539	5' DEF hose standard duty single braid suction/dispense	3/4"	5'	Open	Open
750 540	8' DEF hose standard duty single braid suction/dispense	1"	8'	Open	Open

08 WASTE OIL EQUIPMENT

GRAVITY DRAIN UNITS	102
TRADITIONAL OIL DRAIN UNITS	103
WASTE OIL SUCTION EQUIPMENT, 27 GAL	104
WASTE OIL SUCTION EQUIPMENT, 18 AND 6 GAL	105
WASTE OIL DIPSTICK EVACUATION	106
WASTE FLUID EVACUATION PUMP KITS	107
WASTE OIL EQUIPMENT ACCESSORIES	108



Mobile waste oil drains are used for gravity or suction collection of motor oil and gear oil, as well as other automotive, non-aggressive A-III class fluids like anti-freeze.

Models for gravity collection are fitted with a telescopic bowl and they can be used under vehicle lifts or inside lubrication pits for collection of the used fluid. All drains include a 5 gallon capacity, height adjustable collection bowl for wider reach. All 27 gallon models include over-sized extension bowl with anti-splash screen. All models are equipped with a level gauge.

Once full, depending on model, the reservoir can be discharged either using a remote pump through a dry-break or a Camlock connector or pressurizing the unit reservoir at 3.5 psi (0,5 bar) maximum.

3733B



3734



Gravity collection with remote pump discharge

Discharge is done connecting the unit to a wall mounted discharge pump using a cam-lock coupling.

Part No. 3723

27-gallon gravity waste oil drainer. Remote pump discharge.

Part No. 3733

18-gallon gravity waste oil drainer. Remote pump discharge.

Order **Part No. 737 968** for optional bowl extension.

Gravity collection with pressure discharge

Discharge is done through a 5' hose pressurizing the unit reservoir. Includes a safety valve to avoid over pressurization.

Part No. 3724

27 gallon gravity waste oil drainer, pressure discharge.

Part No. 3734

18 gallon gravity waste oil drainer, pressure discharge.

Order **Part No. 737 968** for optional bowl extension.

08
WASTE OIL

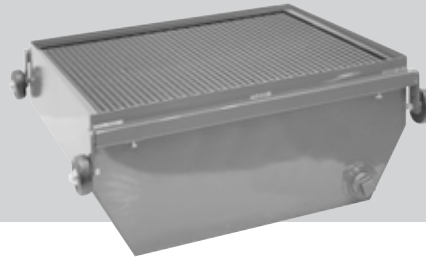
TRADITIONAL OIL DRAIN UNITS

USED FLUID COLLECTION - SPECIALTY DRAINERS



Part No. 1352

Heavy duty 28 gallon used oil wagon. Only 9" high. Built in baffles and splash deflectors. Heavy duty, 14 gauge construction. Recessed shelf for draining filter. 6" HD wheels. Empties quickly, 3/4" drain valve. Can be easily connected to a pumping system for evacuation. (Order Part No. 1314 dry-break nipple).



Part No. 1355

34 gallon rolling pit drain. Heavy duty construction, with anti-splash screen. Accommodates 31 1/2" - 49 1/2" opening. Dimensions: 28" W x 24" L x 12" H.



Part No. 1336

Special low-profile pressurized oil drain with swing-arm funnel tray. Allows easy positioning for hard to access drain plugs. Ideal for motorcycle, marine, off-road, lawn, farm and in-plant use. 9 gallon capacity, air discharge to empty unit. Drain tray adjusts from 29" to 37" high.

Part No. 1356 (not shown)

Hook up kit for 1355 with short nipple, quarter turn ball valve, camlock coupler and dust cap.



Part No. 1347

Deluxe 17", 5 gallon funnel with drain tube, dipstick and 2" bung bushing adaptor (fits 16 gal bung type. Drum not included).

Part No. 1349 (not shown)

Deluxe 17", 5 gallon funnel with drain tube, dipstick and 16 Gal drum cover. (Drum not included).

Part No. 737 968 (not shown)

25" plastic extension bowl insert with anti-splash screen.

Part No. 1360

Heavy Duty pedestal type drain. Extends to 78". Includes Heavy Duty deluxe 17", 5 Gal bowl. Order 1361 valve adaptor extra.

Part No. 1361

Valve opening adaptor for use with pedestal drain. 2" male bung threads.



Part No. 373 344

All metal under-vehicle used fluid drain. Functional and economical 7 gallon capacity. Features a 11-1/4" diameter bowl with screen; height adjustable from 38" to 66".



1351 SERIES

Oil drains designed for 16 gallon kegs, include a 17" steel drain bowl with 5 gallon capacity, unique keg cover with anti-leak lip, telescopic drain tube dipstick level indicator, bung adaptor and four wheel band dolly.

Part No. 135 100

For use on customer supplied 16 gallon keg.

Part No. 135 101

Complete with 16 gallon keg supplied in package.

Part No. 135 103

Complete with top-mounted suction kit (suction tube and dry break nipple), for use with customer supplied 16 gallon keg.

Part No. 135 104

Complete with top-mounted suction kit (suction tube and dry break nipple), and 16 gallon keg supplied in package.



3725

3720

3721

3726

08

COMBINED OIL SUCTION AND GRAVITY COLLECTION UNITS

Can be used remotely once vacuum is created inside the steel reservoir. Telescopic collection bowl with extension bowl insert and anti-splash grid.

Part No. 3725
27 gallon combined oil suction and gravity collection unit.

Part No. 3720
27 gallon combined oil suction and gravity collection unit. With 10 quart transparent chamber that can be used as vacuum

OIL SUCTION UNITS

Can be used remotely once vacuum is created inside the steel reservoir.

Part No. 3721
27 gallon oil suction unit. With 10 quart transparent chamber that can be used as vacuum reservoir and allows inspection of the extracted waste oil.

Part No. 3726
27 gallon oil suction unit.



COMBINED OIL SUCTION AND GRAVITY COLLECTION UNIT

Can be used remotely once vacuum is created inside the steel reservoir. Discharge through hose by pressurizing the unit.

Part No. 3735
18 gallon combined oil suction and gravity collection unit.

OIL SUCTION COLLECTION UNIT WITH TRANSPARENT CHAMBER

Includes a 10 quart transparent chamber that can be used as a vacuum reservoir and allows an immediate inspection of the extracted waste oil. Can be used remotely once vacuum is created inside the steel reservoir. Discharge through hose by pressurizing the unit.

Part No. 3731
18 gallon waste oil suction collection unit with transparent chamber.

OIL SUCTION COLLECTION UNITS

Can be used remotely once vacuum is created inside the steel reservoir.

Part No. 3736
18 gallon waste oil suction collection unit. Discharge through hose by pressurizing the unit.

Part No. 3716
6 gallon waste oil suction collection unit.

08

WASTE OIL

379 710



WASTE OIL DIPSTICK EVACUATION

EVACUMASTER WASTE OIL SUCTION UNIT

Single point waste oil suction unit for collecting waste oil directly from the vehicle's engine using a suction wand inserted into the engine oil dipstick tube. The unit is installed alongside the service bay and provides the cleanest method for waste oil collection.

Direct extraction from engine to storage tank eliminates operator contact with waste oil and spills. It also eliminates the use of mobile units and all leaking drain plug issues.

An air operated pump, specially designed for suction applications, extracts the waste oil and pumps it to a remote storage tank. The unit includes a special piston pump for waste oil suction, on/off valve, air filter with pressure regulator, vacuum gauge for monitoring unit performance, extra large capacity suction filter, 9' (3 m) suction hose and complete kit of suction wands and adaptors.

Part No. 379 711

Wall mounted waste oil suction unit.

Part No. 379 710

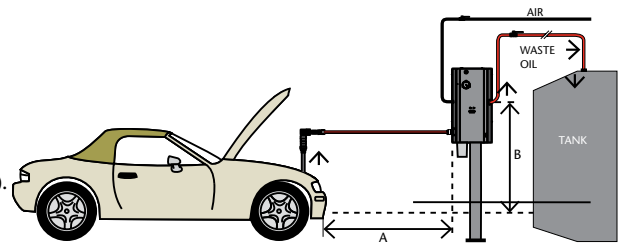
Pedestal mounted waste oil suction unit.

TYPICAL INSTALLATION

Maximum installation distances:

A: Maximum distance 26' (8 m).

B: Maximum height between pump inlet and engine oil sump level, 3' (1 m).



EVACUMASTER WASTE OIL PORTABLE UNIT

379 708



Part No. 379 707

Evacumaster Portable. A portable version of our single point used fluid suction unit. Designed to collect used fluid from a vehicle using one of the included dipstick suction wands, or by connecting directly to the dipstick tube on some vehicles. The unit has two fixed large wheels with roller bearings and two heavy-duty casters.

The oil is extracted from the dipstick and pumped into the 27 gallon tank on board. This tank can be evacuated using pressurization into the shop's used fluid tank.

Part No. 379 708

Evacumaster with Drain Bowl. Same as the Part No. 379 707, but with the addition of a gravity option for draining oil. A telescoping 17" steel bowl with extension allows conventional draining of oil through a drain plug. Drain can be pressurized for evacuation into the shop tank.

379 707



Note: For fast and efficient suction of used fluid, the oil must be warm (70 °F or above). Do not use with brake fluids, fuel, or any flammable or corrosive fluids.

08
WASTE OIL

WASTE FLUID EVACUATION PUMP KITS



Wall mounted pump kits used to empty waste oil and waste antifreeze receivers.

They included the pump listed for each model equipped with:

- Wall bracket
- Air connection kit with air pressure regulator for controlling pump speed, air quick coupler and nipple.
- Suction hose with cam-lock connector, shut-off valve and filter at pump inlet
- 5' discharge hose.



379 701

Part No. 379 701

Wall mounted waste fluid evacuation pump kit. Includes 1" - 46 gal/min UL listed diaphragm pump with aluminum and Buna-N wetted parts (pump Part No. 2836).

379 016

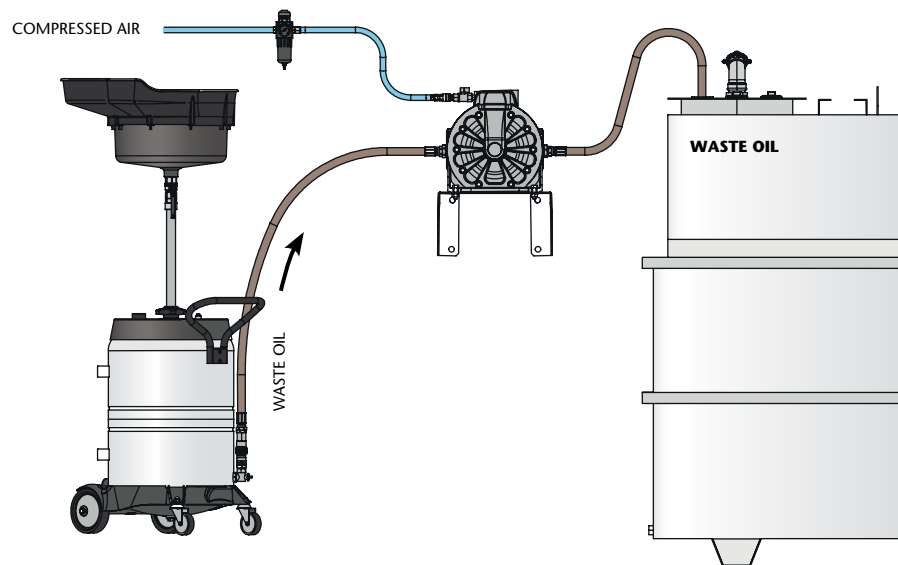
Part No. 379 016

Wall mounted waste fluid evacuation pump kit. Includes 1" - 28 gal/min diaphragm pump with aluminum and Buna-N wetted parts (pump Part No. 551 030).

379 018

Part No. 379 018

Wall mounted waste fluid evacuation pump kit. Includes 1" - 50 gal/min diaphragm pump with aluminum and Buna-N wetted parts (pump Part No. 555 030).



ACCESSORIES



Part No. 362 924

Air bleeding valve, 1". When connected to the pump outlet, it helps to eliminate the air trapped in the pump and in the suction line aiding pump prime.

Part No. OA-1EXT

Overfill warning valve used to shut off the air supply to the pump when the tank approaches full capacity. It is automatically reset is emptied and air pressure in OA-1EXT is zero.

USED OIL SUCTION WANDS AND ADAPTORS



INDIVIDUAL WANDS AND ADAPTORS			WAND AND ADAPTOR KITS				
Part No.	Type	Description OD x ID x Length	737 950*	1925	1926	1927**	737 975
737 946	Flex	0.31 x 0.23 x 66.92"					
737 947	Adaptor	AUDI, VOLKSWAGEN GROUP	•			•	
737 948	Adaptor	PEUGEOT GROUP	•			•	
737 949	Flex	0.27 x 0.19 x 39.37"	•				•
737 952	Flex	0.23 x 0.15 x 27.55"	•	•		•	•
737 953	Flex	0.31 x 0.23 x 27.55"	•	•		•	•
737 954	Rigid Copper	0.19 x 0.15 x 27.55"	•				
737 955	Rigid Copper	0.23 x 0.19 x 27.55"	•				•
737 958	Flex	0.23 x 0.15 x 47.24"			•	•	
737 959	Flex	0.31 x 0.23 x 47.24"			•	•	
737 960	Flex	0.19 x 0.15 x 27.55"		• (2)		• (2)	
737 961	Flex	0.19 x 0.15 x 39.37"			• (2)	• (2)	
737 972	Wand Holder	Plastic wand holder					

* Included in all 3700 series portable packages.

** Included in all 3797 packages.

USED FLUID SYSTEM ACCESSORIES

08
WASTE OIL



HIGH LEVEL COMPRESSED AIR CONTROL DEVICE

Part No. OA-1

Air operated bung mounted high level control device constructed of anodized aluminum. Float activated unit activates when high level is reached by sounding a whistle and a positive air line control. UL Listed, normally open, turns off air when in alarm

Part No. 1589 - 1" Polypropylene inline 'T' strainer

Easily removable bowl and sturdy reusable 304 stainless steel 30 mesh screen. Viton® O-ring. Protects used fluid pump from ingesting harmful debris

Part No. 1089 - 1" Cast Iron 'Y' Strainer

Solid cast iron construction and 40 mesh screen

Part No. 1313 - 3/4" Dry Break Coupler

Ball check sealed coupler, 3/4" NPTF. Connects to 1314

Part No. 1314 - 3/4" Dry Break Nipple

Ball check sealed nipple, 3/4" NPTF. Connects to 1313

Part No. CAM 7C - 3/4" Camlock Cap

Polypropylene 3/4" female camlock cap. Seals 3/4" male Camlock nipple CAM7F.

Part No. CAM 7P - 3/4" Camlock Plug

Polypropylene 3/4" Male Camlock plug. Seals 3/4" female Camlock coupler CAM 7D or CAM 7M

Part No. CAM 7D - 3/4" Camlock Coupler

Polypropylene 3/4" female camlock coupler. 3/4" NPTF threads, connects to CAM 7F or CAM 7A

Part No. CAM 7M - 3/4" Camlock Coupler

Polypropylene 3/4" female camlock coupler. 3/4" NPTM threads, connects to CAM 7F or CAM 7A

Part No. CAM 7F - 3/4" Camlock Nipple

Polypropylene 3/4" male Camlock. 3/4" NPTM threads, connects to CAM 7D or CAM 7M

Part No. CAM 7A - 3/4" Camlock Nipple

Polypropylene 3/4" male Camlock. 3/4" NPTF threads, connects to CAM 7D or CAM 7M

Part No. 361 300 - 1" Four Way Reversing Valve

Anodized Aluminum and acetal construction. Four 1" NPTF ports: tank, pump suction, pump discharge, and hose allows changing the direction of flow to pump into or out of the tank as desired

Part No. 9411 2004 Special Adaptor

Aluminum 1- 1/2" F by 3/4" NPTF double tap adaptor to convert Samson 3700 series gravity drains to top mount suction

09 LUBRICATION TOOLS AND ACCESSORIES

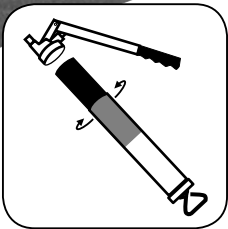
LEVER ACTION GREASE GUNS	110
MANUAL HAND HELD GREASE GUNS	111
AIR AND BATTERY OPERATED HAND HELD GREASE GUNS	112
GREASE FITTINGS	113
ACCESSORY ADAPTORS, COUPLERS, GREASE HOSES AND OUTLETS	114
SPECIALTY GREASE AND OIL PUMPS	115
PORTABLE OIL DISPENSERS AND GREASE FILLER PUMPS	116
DRUM PUMPS FOR OIL	117
DRUM PUMPS FOR VARIOUS FLUIDS	118
FUNNELS, MEASURES AND OIL CANS	119



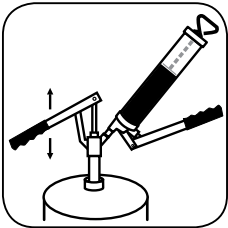
LEVER ACTION GREASE GUNS



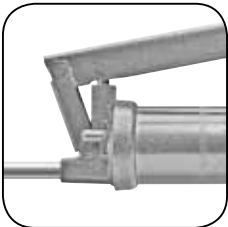
Suction loading



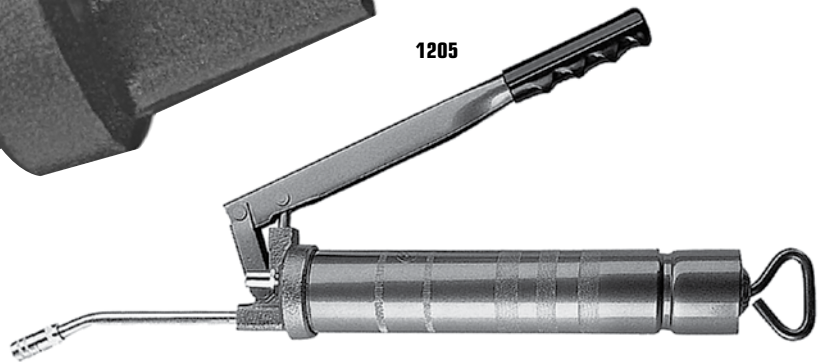
Cartridge loading



Loading with filler pump



Rugged cast-iron gun head for durability



1205

14 OZ CARTRIDGE OR 16 OZ BULK GREASE GUNS

Universal grease guns to be used with 14 oz (400 g) grease cartridges or with bulk grease. Bulk grease loading by suction or using a filler pump. Maximum working pressure: 7,500 psi (500 bar). Flow 0.04 Oz per stroke. Thread: 1/8" NPT.

Part No. 1200

Standard duty grease gun complete with rigid pipe outlet and 3 jaw coupler; includes port for optional filler fitting.

Part No. 1205

Heavy-Duty gun complete with rigid pipe outlet and 3 jaw coupler; also includes filler fitting and vinyl handle grip.

Part No. 1206

Same as Part No. 1205 except with 12" flex hose outlet and 3 jaw coupler.

Part No. 1210

Professional Series gun with variable stroke handle for use in heavy-duty constant use applications; also includes filler fitting, air bleeder valve, rigid pipe outlet with 3 jaw coupler, vinyl handle grip and removable valve checks.

Part No. 1212

Same as Part No. 1210 except with 360° adjustable rigid outlet pipe which locks in any position.

MANUAL HAND HELD GREASE GUNS



DELUXE PISTOL-GRIP SERIES

1220

Part No. 1220

Heavy duty high pressure cast iron head. Straight outlet pipe and coupler with ball check and hardened jaws.

Head has port for optional filler fitting.

Heavy duty barrel with large threads and rubber seal.

Heavy duty rod, spring and follower.

One hand action for hard to reach fittings.

Rugged baked enamel finish.

Capacity per stroke: 0.04 ounce.



Part No. 1221 (Not shown)

Same as 1220 except with 12" flex hose.

Capacity per stroke: 0.04 ounce.

PROFESSIONAL PISTOL-GRIP SERIES

1222

Part No. 1222

Has all the features of Part No. 1220 Plus:

Removable valve checks for ease of maintenance.

Air bleeder valve.

Filler fitting for 3-way loading.

Metallic baked finish.

Zinc plated handle and linkage.

Vinyl handle grip.

Capacity per stroke: 0.04 ounce.



Part No. 1227 (Not shown)

Same as 1222 except with 12" flex hose. Capacity per stroke: 0.04 ounce.

PROFESSIONAL SUCTION PUMP SERIES

1225

Part No. 1225

Clear vinyl flex hose with removable holding clip.

Heavy duty 17 oz capacity, knurled barrel.

Large positive pull handle.

Metallic baked finish.



STANDARD GUN SERIES

1230

Part No. 1230

Single shot non-reciprocating 40:1 air motor.

Filler fitting for 3-way loading.

Air bleeder valve

Curved outlet pipe and coupler.

Baked enamel and zinc plate finish.



AIR AND BATTERY OPERATED HAND HELD GREASE GUNS

AIR OPERATED GREASE GUNS

Part No. 1233 PROFESSIONAL GUN SERIES - SINGLE SHOT

Air operated, 60:1 pressure ratio grease gun. Uses standard 14 oz grease cartridges. Combination bleeder valve and filler fitting 3-way loading. Heavy-Duty rod, spring and follower. Curved outlet pipe and coupler with ball check and hardened jaws. Heavy-Duty barrel with large threads and O-ring seal. Air connection: 1/4" NPTF.

Part No. 1235 SPECIAL INDUSTRIAL SERIES - SINGLE SHOT

Air operated, 60:1 pressure ratio grease gun. Unique, exclusive air powered follower plate, ideal for heavy greases. Large 33 1/2 oz capacity heavy duty knurled barrel. Filler fitting for 2-way loading. 16" whip hose and coupler. Air connection: 1/4" NPTF.

1233



1235



BATTERY OPERATED GREASE GUN

Part No. 160 101

18 V Li-ION Battery grease gun suitable for use with either bulk grease loading or grease cartridges. Li-ION battery for lighter weight and improved battery life.

Includes the following:

- Heavy duty carrying case.
- 1 rechargeable battery pack.
- 1 hour 120 V quick battery charger.
- 36" grease outlet hose with spring kink protector at each end and 3 jaw grease coupler.
- Air bleeder valve.
- Shoulder strap.

TECHNICAL SPECIFICATIONS

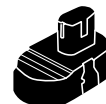
BATTERY PACKS	1 x 18V / 1500 mAh
BATTERY CHARGER	1 hour, 120V
MAX PRESSURE	8,000 psi (450 bar)
TOTAL WEIGHT (APPROX.)	18.7 pounds (8,5 kg)
GUN WEIGHT (APPROX.)	8.4 pounds (3,8 kg)
DELIVERY HOSE LENGTH	36" (105 cm)
FLOW RATE	3 oz/min (90 g/min)
CASE DIMENSIONS	16 1/2" x 21 1/2" (420 mm x 550 mm)

SPARE PARTS

Part No. 169 004	Carry case
Part No. 710 776	Grease barrel
Part No. 946 402	Grease barrel to gun head seal
Part No. 169 012	Outlet hose



169 011 - 120V Li-ION battery charger.



169 009 - 18V Li-ION battery pack.

GREASE FITTINGS



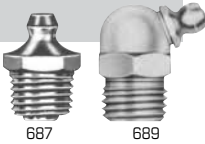
1/4" - 28 TAPER	
651	1/4" - 28 Taper thread, short, straight
652	1/4" - 28 Taper thread, med, straight
653	1/4" - 28 Taper thread, long, straight
656	1/4" - 28 Taper thread, 90° angle
657	1/4" - 28 Taper thread, 45° angle



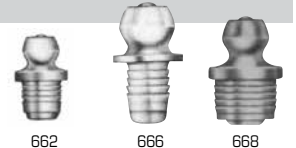
METRIC	
691	6 mm x 1.0, straight
692	8 mm x 1.0, straight
694	6 mm x 1.0, 45° angle
695	8 mm x 1.0, 45° angle
697	6 mm x 1.0, 90° angle
698	8 mm x 1.0, 90° angle



1/4" PIPE	
687	1/4" Pipe thread, straight
689	1/4" Pipe thread, 65° angle



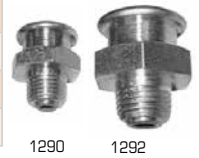
DRIVE TYPE	
662	1/4" Drive type, straight
666	3/16" Drive type, straight
668	5/16" Drive type, straight



1/8" PIPE	
671	1/8" Pipe thread, 30° angle
672	1/8" Pipe thread, 65° angle, short
673	1/8" Pipe thread, 90° angle
674	1/8" Pipe thread, short, straight
675	1/8" Pipe thread, 65° angle, long
678	1/8" Pipe thread, 45° angle
679	1/8" Pipe thread, long, straight



BUTTONHEAD FITTINGS	
1290	Standard - 1/8" MPT
1291	Standard - 1/4" MPT
1292	Giant - 1/4" MPT
1293	Giant - 3/8" MPT



GREASE FITTING PACKAGES



DESCRIPTION	PART No.		
	650 100	650 200	650 300
1/4"- 28 TAPER STRAIGHT - 651	26	-	30
1/4"- 28 TAPER 90° - 656	12	-	-
1/4"- 28 TAPER 45° - 657	12	-	12
1/8" PIPE STRAIGHT -674	26	-	30
1/8" PIPE 45° - 678	12	-	12
1/8" PIPE 90° - 673	12	-	12
1/4" PIPE 45° - 688	-	-	12
6 mm x 1.00 STRAIGHT - 691	-	26	12
6 mm x 100 45° - 694	-	12	12
6 mm x 1.00 90° - 697	-	12	-
8 mm x 1.00 STRAIGHT - 692	-	26	-
8 mm x 1.00 45° - 695	-	12	12
8 mm x 1.00 90° - 698	-	12	-

FILLER FITTINGS, COUPLERS, ADAPTORS

GREASE OUTLET HOSES FOR HAND OPERATED EQUIPMENT

1209
Filler fitting thin type, 1/8" NPTM

1251
Rubber tip seal-off adaptor, 1/8" NPTF

1213
Filler fitting standard, 1/8" NPTM

1252
Needle nose adaptor, 1/8" NPTF

1214
Air bleeder valve, 1/8" NPTM

1254
Needle nose adaptor with lock sleeve, 1/8" NPTF

1226
Standard buttonhead coupler, 1/8" NPTF

1255
Lock sleeve, 1/8" NPTM

1228
Giant buttonhead coupler, 1/8" NPTF

1257
Lock sleeve, 1/8" NPTF

1237
Clamp type hand lever grease gun holder

1265
90° adaptor, coupler and lock sleeve, 1/8" NPTF

1250
Injector needle adaptor

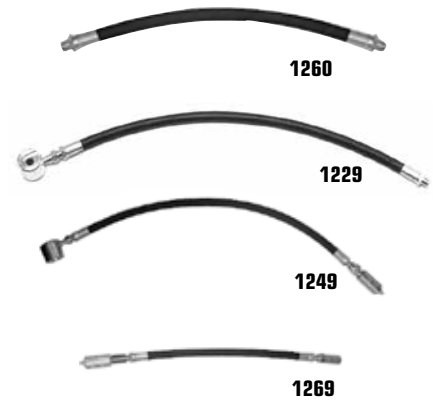
1266
Threaded swivel adaptor, 1/8" NPTF

1267
Rubber tip seal-off with lock sleeve, 1/8" NPTF

1270
Rigid flex adaptor with hydraulic coupler, 1/8" NPTF

Grease outlet hoses, 3,000 psi, 1/8" NPTM.

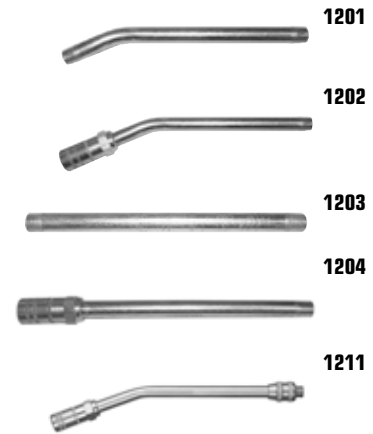
1260	Whip hose	12"
1262	Whip hose	18"
1264	Whip hose	24"
1229	Whip hose with giant buttonhead coupler	18"
1249	Whip hose with giant buttonhead coupler and lock sleeve	18"
1259	Whip hose with 4 jaw narrow coupler	12"
1269	Whip hose with 4 jaw narrow coupler and lock sleeve	12"



GREASE OUTLETS

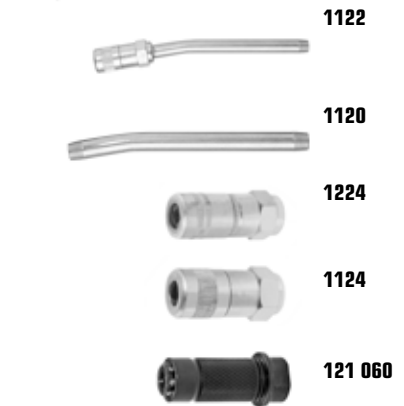
For use with hand operated equipment.

1201	6" Curved outlet pipe; 1/8" NPTM x 1/8" NPTM
1202	6" Curved outlet pipe with 1224 coupler; 1/8" NPTM
1203	6" straight outlet pipe; 1/8" NPTM x 1/8" NPTM
1204	6" Straight outlet pipe with 1224 coupler; 1/8" NPTM
1211	6" Curved outlet pipe with 360° adjustable locking outlet nut and 1224 coupler; 1/8" NPTM
1224	4 Jaw narrow coupler; 1/8" NPTF



For use with air operated equipment.

1122	Angled rigid outlet with 1124 coupler; 1/8" NPTM
1120	Angled rigid outlet; 1/8" NPTM x 1/8" NPTM
1124	3 Jaw high pressure coupler
121 000	3 Jaw high pressure narrow coupler
121 060	Quick lock coupler, 1/8" NPTF



Quick and easy connection and disconnection to a hydraulic type grease fitting by simply pulling back the coupler sleeve.

1996



1995



BUCKET PUMPS

Bucket pumps include a 35 lb leak proof, all steel oval shaped bucket with carrying handle and foot rest for easy handling and stability.

Part No. 1996

Multi pressure grease bucket pump. High pressure 6,000 psi lever action grease pump. Oval shaped 35 lb steel container with foot rest. Includes 7' grease hose and hydraulic coupler. Adjustable pressure and volume. Capacity per stroke: 0.04, 0.03, 0.02 pound (depending on the position of the lever).

Part No. 1995

3.6 gallon oil bucket pump for dispensing high viscosity lubricants. Includes a medium pressure lever action pump, a 5' rubber hose with shut off valve and 135° angled nozzle.

1999



PEDAL ACTION GREASE PUMP 11 lb

Part No. 1999

Pedal action grease pump. High pressure 7,000 psi, foot operated grease pump, spring loaded for heavier greases. Cast iron pump body and precision finished pump mechanism with spring follower plate. Includes air bleeder valve, 7' grease hose, hydraulic coupler and 11lb steel container. Capacity per stroke: 0.06 ounces.

1984



HIGH PRESSURE GREASE PUMPS

Part No. 1984

Heavy duty hand operated high pressure (5,000 psi) grease pump unit. Fits 35 lb pail. Complete with pump, cover, 5' hose, pipe with coupler, carry handle and follower plate. Capacity per stroke: 0.06 ounces.

Part No. 1994

Heavy duty hand operated high pressure (5,000 psi) grease pump unit. Fits 120 lb keg. Complete with pump, cover, 5' hose, pipe with coupler and follower plate. Capacity per stroke: 0.06 ounces.

PORTABLE OIL DISPENSERS AND GREASE FILLER PUMPS

1011



1021



1322



1320



PORTABLE HAND OPERATED LUBE PUMPS

For gear lube and ATF

Part No. 1011

Hand operated, non metered, multi fluid dispenser for 16 gal open top drum. Includes:

Part No. 1000: hand operated pump with cover mounting adaptor.

Part No. 1304: Four wheel band dolly.

Part No. 1936: Deluxe drum cover for 16 gal drums.

Part No. 731 210: 5' fluid hose assembly with curved nozzle.

Part No. 1021

Same as 1011 except with 366 000 electronic meter 366 000, and 5' fluid hose with shut off valve 731 310 and curved outlet nozzle 1136.

PRESSURIZED LUBE DISPENSERS

Part No. 1322

Portable air pressurized unit for gear oils and other fluids. No hand pumping required. Ideal for remote services, on the job site, outside the garage or anywhere an air supply is unavailable. 6 1/2" gallon tank with sight gauge, 5' clear visible dispensing hose and electronic meter fluid control handle.

Part No. 1320

Same as 1322 except with non-metered lube handle.

1986



1988



1991



1987



GEAR OIL DISPENSERS

Part No. 1986

Heavy-Duty hand operated gear lube pump unit. Fits 5 gallon pail. Complete with pump, cover, 5' hose, curved pipe with anti-drip tip.

GREASE GUN FILLER PUMPS

Part No. 1988

Heavy Duty hand operated filler pump unit. Fits 35 lb pail. Complete with pump, cover, filler valve, dust cap and follower plate.

Part No. 1989

Same as Part No. 1988 except with drum cover and follower plate to fit 120 lb kegs.

BEARING PACKERS

Part No. 1991

Heavy Duty hand operated bearing packer. Fits 35 lb pail. Complete with pump, cover, packer, dust cap and follower plate.

Part No. 1992

Same as Part No. 1991 except with drum cover and follower plate to fit 120 lb kegs.

FILLER PUMPS FOR CENTRALIZED GREASING UNITS

Part No. 1987

Heavy Duty hand operated filler pump for filling the reservoir of centralized greasing systems. Fits 35 lb pails. Complete with pump, cover, 5' transparent hose and a 2-HK (1/4") hydraulic connector. For use with grease up to NLGI-0.

Part No. 108 503

Same as Part No. 1987 except with drum cover to fit 120 lb kegs.

DRUM PUMPS FOR OIL



605 000



HIGH PERFORMANCE
DRUM PUMP

Part No. 605 000

High performance drum pump. Lever action transfer pump for use with all types of lubricants, even those with higher viscosity, like gear oil. Lever can be mounted in four different positions to change the delivery volume per stroke: from 0.48 to 0.96 qts. Pump includes telescoping suction tube with bung adaptor for use with 16 gallon kegs and 55 gallon drums.

1240



DRUM PUMP
FOR FLUIDS

Part No. 1240

Drum pump for fluids. Lever action barrel pump. Steel pump body, spout and telescopic suction tube. Die cast head, steel piston, brass rings and nitrile rubber seals. Bung threads fits 16 - 55 gallon drums. Ideal for use with light viscosity lubricants and other non-corrosive fluids. Capacity per stroke: 0.48 quarts.

1243



LEVER ACTION
DRUM PUMP

Part No. 1243

Lever action drum pump. Same features as Model 1240 but with Viton® seals, usable with alcohols, detergents, solvents, oils and anti-freeze. Pump must be flushed with diesel after used with corrosive fluids. Long curved removable steel spout with garden hose threads. Capacity per stroke: 0.48 quarts.

8013



ROTARY PUMPS

Part No. 8013

Rotary action pump. Lightweight rotary pump manufactured in PVC to handle chemicals and acid based products. Features bi-directional operation. Delivery is rated at over 3.75 gal/min at 60 cycles per minute. Includes adjustable bung bushing and a 3 piece down tube that extends from 13 to 37 inches to fit most containers, including 5, 16 and 55 gallon commercial sizes. Capacity per stroke: 0.26 quart.

1245



Part No. 1245

Bi-Directional rotary action drum pump. Rotary barrel pump. Heavy duty cast iron body, telescopic steel suction tube, adjustable bung fits 16-55 gallon drums. Dispenses fuel oils, kerosene, diesel fuel, oils and other light fluids. Capacity per stroke: 0.42 quart.

OPTIONAL DELIVERY HOSE

Part No. 314 540

Rubber 5' delivery hose with shut off valve and nozzle.

MEDIUM PRESSURE OIL PUMPS

Lever action transfer pumps for high viscosity lubricants. Pump includes 2" height adjustable bung adaptor to fit directly onto drums, covers or containers. Pump with steel suction tube, foot valve and piston, and NBR seals. Delivery: 0.03 gal per stroke. Outlet thread: 3/4" NPTM.

MEDIUM PRESSURE TRANSFER PUMP

Part No. 306 300

For 5 gallon pails.

Part No. 306 200

For 5 gallon pails & 16 gallon kegs.

Part No. 306 100

For 16 gallon kegs.

Part No. 306 400

For 55 gallon drums.

ACCESSORIES:

Part No. 730 603

Angled steel delivery spout. Fits directly to the pump outlet.

Part No. 314 530

Delivery hose. Transparent 5' hose with 135° nozzle.

Part No. 314 540

Delivery hose. 5' rubber hose, with shut off valve and 135° nozzle.

306 100



314 540



DRUM PUMPS FOR VARIOUS FLUIDS

300 500



LIFT ACTION PUMPS FOR CHEMICAL FLUIDS

Part No. 300 401

Lift action pump for chemical products in 55 gal drums, with polypropylene covered piston and PTFE seals. 40" suction tube, 2" bung adaptor and outlet spout. Black pump with red bung adaptor and spout nut. Recommended for use with acid based fluids, detergents and kerosene based solvents.

Part No. 300 400

Lift action pump for chemical products. Same as model 300 401, but with 20" suction tube for 5 to 16 gal drums.

Part No. 300 500

Lift action pump for chemicals in 5 to 16 gal drums, with nylon covered piston and PTFE seals. 20" suction tube, bung adaptor with three screws and outlet spout. Black pump with yellow bung adaptor and spout nut. Recommended for use with solvents.

Part No. 300 501

Lift action pump for chemical products, 55 gal drums. Same as model 300 500, but with 40" suction tube for 55 gal drums.

NOTE: Please check fluid compatibility with the pump prior to its use.

3006



PLASTIC LEVER PUMPS

Lever action pumps with a unique toggle mechanism that provides a very smooth operation. Pumps are manufactured in polypropylene and include a 2" bung adaptor with a lockable nut that allows placing the pump in its optimal position for an easier lever action.

Pump delivery per stroke: 16 oz.
Includes delivery hose.

Part No. 3006

Lever action pump, polypropylene/EPDM. Blue color pump with EPDM seals. Can be used with DEF.

Part No. 3007

Lever action pump, polypropylene/Viton®. Red color pump, with Viton® seals. Compatible with a wide range of chemicals.

Part No. 3009

Lever action pump, polypropylene/NBR. White color pump, with NBR seals. Compatible with lubricants.

Part No. 8010

6' Polypropylene dispensing hose.

1244



SIPHON TRANSFER PUMP

Part No. 1244

Lever action siphon pump. Design allows transfer by siphoning once the pump has been primed, giving a continuous flow of 2 gal/min. Bung thread fits 16 and 55 gal drums. With 5' (1,5 m) clear delivery hose, metal nozzle and PVC suction tube.

For anti-freeze, light mineral oils, diesel, detergent and other automotive and light petroleum fluids.

5807



CHEMICAL HAND PUMP

Part No. 5807

Grade 316 stainless steel lift pump with PTFE seals, includes 2" bung adaptor. Full 33" stroke, delivers 0.86 qt per stroke. 37" down tube for 16 and 55 gallon drums. Bung height adjustable from 14" to 35 1/2". Stainless steel outlet spout included (not shown).

1247



NYLON BARREL PUMP

Part No. 1247

Barrel pump. Constructed of nylon, stainless steel and special packings. Fits 16 - 55 gallon drums with a 2 inch bung opening. Dispenses strong chemicals and solvents at approximately 8 oz per stroke.

FUNNELS, MEASURES AND OIL CANS



BRASS PUMP OILERS

Part No. 2308

1/2 pint brass pump oiler with steel can and rigid spout.

Part No. 2309

Same as Part No. 2308 except with flex spout.

Part No. 2311

1 pint brass pump oiler with steel can and rigid spout.

Part No. 2310

Same as Part No. 2311 except with flex spout.

Part No. 2312

1 1/2 pint brass pump oiler with steel can and rigid spout.

Part No. 2313

Same as Part No. 2312 except with flex spout.

Part No. 2315

1 quart brass pump oiler with steel can and rigid spout.

Part No. 2314

Same as Part No. 2315 except with flex spout.

Part No. 2318

Rigid Spout for Brass Pump Oilers.

Part No. 2319

Flex Spout for Brass Pump Oilers.

HD HIGH PRESSURE MACHINE OILER

Part No. 2326

1 pint heavy duty, high pressure, cast iron pump with filter screen and rigid spout.



2352



2351



2377

PLASTIC FUNNELS AND MEASURES

Part No. 2351

7-1/2" funnel with flex-spout, filter, anti-splash rim and finger grip.

Part No. 2352

Large heavy duty funnel with regular filter.

Part No. 2353

Large heavy duty funnel with diesel filter.

Part No. 2377

5 quart flex-spout measure with lid, quart and liter calibration.

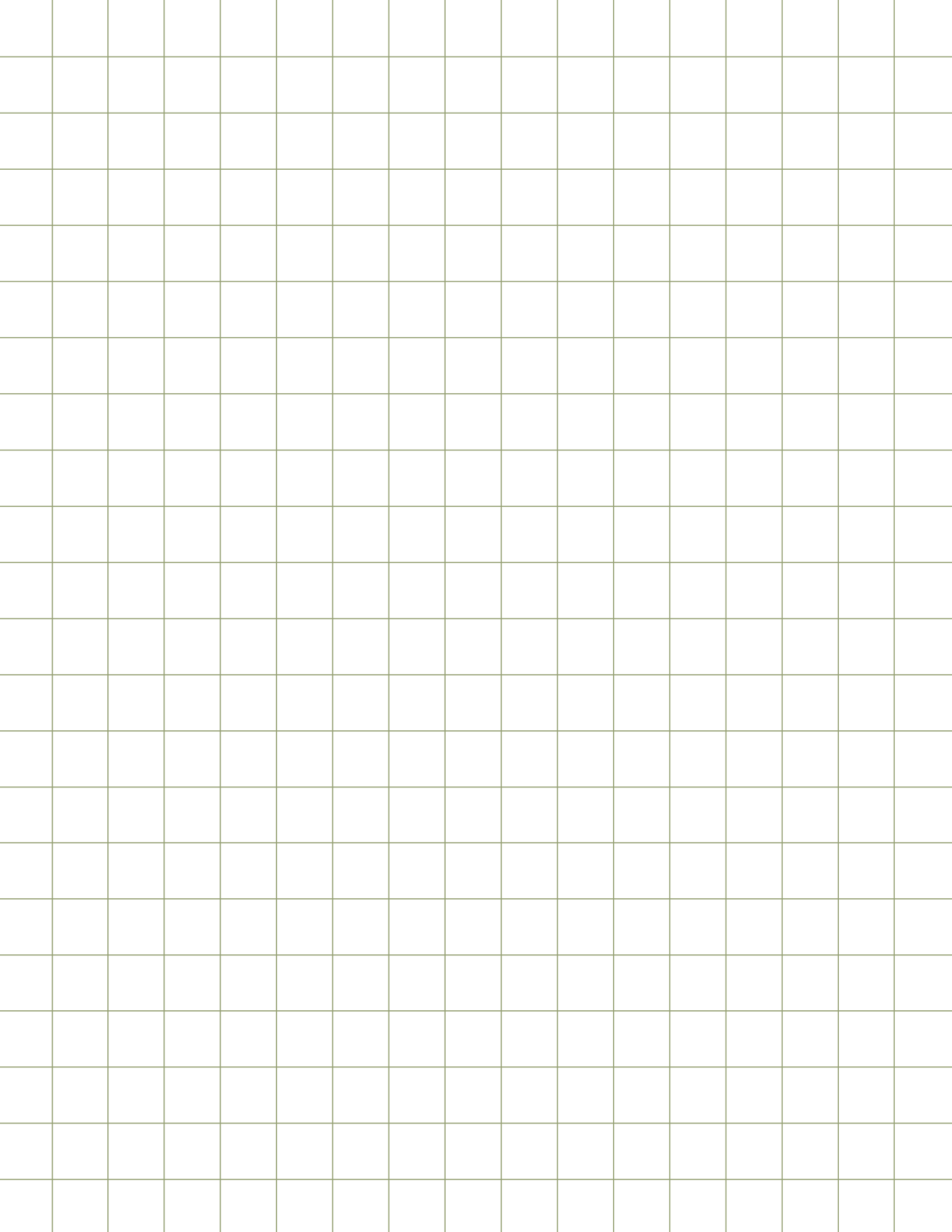
Part No. 996641

Flex Spout for 2351 and 2377.

Part No. 992377

Lid for 2377.





10 INSTALLATION ACCESSORIES

AIR LINE ACCESSORIES	122
INSTALLATION ACCESSORIES	123
INSTALLATION AND TANK ACCESSORIES	124
LOW, MEDIUM AND HIGH PRESSURE HOSES	125



AIR TREATMENT



970

AIR REGULATOR AND GAUGES			
970	973	976	980
1/4"	3/8"	1/2"	3/4"



971

LUBRICATORS			
971	974	977	981
1/4"	3/8"	1/2"	3/4"



956

FILTER, REGULATOR, LUBRICATOR WITH AUTO DRAIN					
983	984	985	986	987	988
1/4"	3/8"	1/2"	3/4"	Mounting bracket for 1/4" and 3/8" package	Mounting bracket for 1/2" and 3/4" package

FILTER, REGULATOR, COMBO UNITS WITH AUTO DRAIN IN COMPACT UNIT			
952	956	957	958
3/4"	1/4"	3/8"	1/2"

MINI UNITS				
991	992	993	995	955
1/4" Regulator	1/4" Lubricator	1/4" Filter	1/4" FRL package	1/4" Filter regulator



972



979



983



995

COUPLERS AND CONNECTORS

COUPLER CONNECTOR INTERCHANGE ARO SERIES

This series of couplers and connectors is engineered to interchange with the ARO design as well as similar designs of other manufacturers.



1/4" BODY SIZE COUPLERS		
THREAD SIZE	FEMALE THREAD	MALE THREAD
1/4"	930F04	930M04
3/8"	930F06	930M06

1/4" BODY SIZE CONNECTORS		
THREAD SIZE	FEMALE THREAD	MALE THREAD
1/4"	933F04	933M04
3/8"	933F06	933M06



COUPLER CONNECTOR INTERCHANGE LINCOLN SERIES

This series of couplers and connectors is engineered to interchange with the Lincoln designs as well as similar designs of other manufacturers.



1/4" BODY SIZE COUPLERS		
THREAD SIZE	FEMALE THREAD	MALE THREAD
1/4"	950F04	950M04

1/4" BODY SIZE CONNECTORS		
THREAD SIZE	FEMALE THREAD	MALE THREAD
1/4"	953F04	953M04



COUPLER CONNECTOR INTERCHANGE INDUSTRIAL SERIES

This series of couplers and connectors is engineered to interchange with the industrial interchange design of all manufacturers.



3/8" BODY SIZE COUPLERS		
THREAD SIZE	FEMALE THREAD	MALE THREAD
1/4"	935F04	935M04
3/8"	935F06	935M06
1/2"	935F08	935M08

3/8" BODY SIZE CONNECTORS		
THREAD SIZE	FEMALE THREAD	MALE THREAD
1/4"	936F04	936M04
3/8"	936F06	936M06
1/2"	936F08	936M08



1/2" BODY SIZE COUPLERS		
THREAD SIZE	FEMALE THREAD	MALE THREAD
3/8"	938F06	938M06
1/2"	938F08	938M08

1/2" BODY SIZE CONNECTORS		
THREAD SIZE	FEMALE THREAD	MALE THREAD
3/8"	947F06	947M06
1/2"	947F08	947M08



COUPLERS AND CONNECTORS



Hex Nipple (standard and reducing)

NPT male threads both ends.

PART No.	THREAD SIZE
2050	1/8" x 1/8"
2044	1/8" x 1/4"
2521	1/8" x 3/8"
2051	1/4" x 1/4"
2048	1/4" x 3/8"
2522	1/4" x 1/2"
2052	3/8" x 3/8"
2035	3/8" x 1/2"
2523	3/8" x 3/4"
2053	1/2" x 1/2"
2094	1/2" x 3/4"
2054	3/4" x 3/4"
1953	3/4" x 1"
2055	1" x 1"



Reducing adaptors

NPT male and female threads.

PART No.	MALE THREAD	FEMALE THREAD
2096	1/8"	1/4"
2501	1/4"	3/8"
2502	1/4"	1/28"
2508	3/8"	1/2"
2511	1/2"	3/4"



Swivel unions, double female threads

NPT female thread, NPSM swivel thread.

PART No.	FEMALE THREAD (SWIVEL)	FEMALE THREAD (FIX)
1960	1/4"	1/4"
1961	3/8"	1/4"
1962	3/8"	3/8"
1963	1/2"	3/8"
1964	1/2"	1/2"
1965	3/4"	1/2"
1958	3/4"	3/4"
1966	3/4"	1"
1941	1"	1/2"
1969	1"	3/4"
1967	1"	1"



Swivel 90° unions, double female threads

NPT female thread, NPSM swivel thread.

PART No.	FEMALE THREAD (SWIVEL)	FEMALE THREAD (FIX)
1970	1/4"	1/4"
1971	3/8"	3/8"
1972	3/8"	1/2"
1973	1/2"	3/8"
1997	3/4"	1/2"
1974	3/4"	3/4"
1968	3/4"	1"
1983	1"	1/2"
1985	1"	3/4"
1993	1"	1"



Couplings

NPT female threads both ends

PART No.	THREAD SIZE
2067	1/8" x 1/8"
2068	1/4" x 1/4"
2069	3/8" x 3/8"
2058	3/8" x 1/2"
2070	1/2" x 1/2"
2071	3/4" x 3/4"
2537	3/4" x 1"
2073	1" x 1"



Bushing

NPT male and female threads

PART No.	MALE THREAD	FEMALE THREAD
2581	1/8"	3/8"
2582	1/8"	1/2"
2059	1/4"	1/8"
2583	1/4"	1/2"
2063	3/8"	1/8"
2060	3/8"	1/4"
2584	3/8"	3/8"
2043	3/8"	1/2" - 27 (F)
2064	1/2"	1/8"
2062	1/2"	1/4"
2061	1/2"	3/8"
2097	1/2"	1/2"
2586	1/2"	3/4"
2587	3/4"	1/4"
2046	3/4"	3/8"
2065	3/4"	1/2"
2500	1"	1/2"
2066	1"	3/4"
2561	1-1/2"	3/4"
2023	1-1/2"	1"



Swivel 90° unions, female x male threads

NPT male thread, NPSM swivel thread.

PART No.	FEMALE THREAD (SWIVEL)	FEMALE THREAD (FIX)
1947	1/4"	1/4"
1977	3/8"	1/4"
1978	3/8"	3/8"
1979	3/8"	1/2"
1980	1/2"	3/8"
1981	1/2"	1/2"
1982	3/4"	3/4"



Street Elbow, male x female threads

NPT Male and female threads.

PART No.	FEMALE THREAD	MALE THREAD
2547	3/8"	3/8"
2514	1/2"	1/2"
2519	3/4"	3/4"
2549	1"	1"



Swivel unions, female x male threads

NPT male thread, NPSM swivel thread.

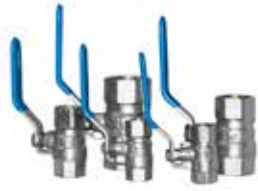
PART No.	FEMALE THREAD (SWIVEL)	MALE THREAD
1942	1/4"	1/4"
1944	3/8"	1/4"
1948	3/8"	3/8"
1951	3/8"	1/2"
1943	1/2"	3/8"
1949	1/2"	1/2"
1957	1/2"	3/4"
1945	3/4"	1/2"
1952	3/4"	3/4"
1954	3/4"	1"
1955	1"	3/4"
1946	1"	1"



Elbows

Double male or double female threads.

PART No.	THREADS SIZE
2513	1/2" NPT female
2512	1/2" NPT male



LOW PRESSURE BALL VALVES

400 psi

PART No.	THREADS (FEMALE BOTH ENDS)
2013	1/4" NPT
2088	1/2" NPT
2091	3/4" NPT
2084	1" NPT



MEDIUM PRESSURE BALL VALVES

2,000 psi

PART No.	THREADS (FEMALE BOTH ENDS)
2074	1/2" NPT
2083	3/4" NPT
2090	1" NPT
2082	1-1/2" NPT



HIGH PRESSURE NEEDLE VALVES

10,000 psi

PART No.	THREADS (FEMALE BOTH ENDS)
2077	1/2" NPT
2089	3/4" NPT
2093	1" NPT

COUPLERS AND CONNECTORS

SWING ARM STYLE FLOAT GAUGE FITS 2" TANK OPENING

- Part No. 2640**
Tanks with 32" interior height.
- Part No. 2641**
Tanks with 44" interior height.
- Part No. 2642**
Tanks with 48" interior height.
- Part No. 2643**
Tanks with 60" interior height.
- Part No. 2644**
Tanks with 72" interior height.



2631



2632



FILL CAPS AND TANK VENTS

- Part No. 2631**
2" Vented style Fill Cap with hinged cover.
- Part No. 2632**
2" Standard (mushroom) Vent.
- Part No. 2633**
3" Emergency Vent.
- Part No. 2634**
4" Emergency Vent.

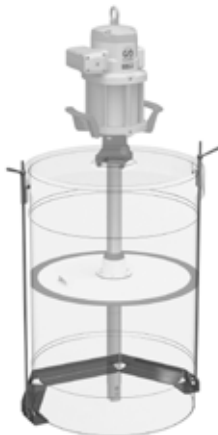
HIGH LEVEL TANK SENSOR



Air operated float level sensor alarm with high level sensor and alarm whistle, rotating collar allows 360° indexing of float.

- Part No. OA-1**
Normally open, turns air off when in alarm.

TIE DOWN KITS



Hold down kits hose with Heavy-Duty covers 418 026 (400 lb drums) and 418 017 (120 lb kegs). Use Part No. 360 133 to convert this flange mounted covers into a bung mounted cover.

- Part No. 2440**
Hold down kit for lube trucks.
Secures 120 lb / 16 gal keg to truck bed.

- Part No. 2450**
Hold down kit for lube trucks.
Secures 400 lb / 55 gal drum to truck bed.

LOW, MEDIUM AND HIGH PRESSURE HOSES



HEAVY DUTY REINFORCED GREASE HOSES

Heavy Duty reinforced hoses for use with grease and lubricants. For hose reel replacement hoses, please refer to the corresponding hose reel manual.

1/4" ID WITH MAXIMUM PRESSURE RATING OF 5000 PSI (345 BAR)

PART No.	LENGTH	FITTINGS
870	2.5'	1/4" NPT (M) swivel x 1/4" NPT (M) fix
871 000	5'	1/4" NPT (M) swivel x 1/4" NPT (M) fix
877 000	7'	1/4" NPT (M) swivel x 1/4" NPT (M) fix
872 000	10'	1/4" NPT (M) swivel x 1/4" NPT (M) fix
873 000	15'	1/4" NPT (M) swivel x 1/4" NPT (M) fix
874 000	20'	1/4" NPT (M) swivel x 1/4" NPT (M) fix
875 000	25'	1/4" NPT (M) swivel x 1/4" NPT (M) fix
850 706	30'	3/8" NPT (M) fix 1/4" NPT (M) fix
878 000	40'	1/2" NPT (M) swivel x 1/4" NPT (M) fix
879 000	50'	1/2" NPT (M) swivel x 1/4" NPT (M) fix
880 000	60'	1/2" NPT (M) swivel x 1/4" NPT (M) fix

3/8" ID WITH MAXIMUM PRESSURE RATING OF 4000 PSI (276 BAR)

PART No.	LENGTH	FITTINGS
883	2.5'	3/8" NPT (M) swivel x 3/8" NPT (M) fix
884	5'	3/8" NPT (M) swivel x 3/8" NPT (M) fix
885	10'	3/8" NPT (M) swivel x 3/8" NPT (M) fix
887	20'	3/8" NPT (M) swivel x 3/8" NPT (M) fix
888	25'	3/8" NPT (M) swivel x 3/8" NPT (M) fix
889	30'	3/8" NPT (M) swivel x 3/8" NPT (M) fix
891	40'	3/8" NPT (M) swivel x 3/8" NPT (M) fix
892	50'	3/8" NPT (M) swivel x 3/8" NPT (M) fix
893	60'	3/8" NPT (M) swivel x 3/8" NPT (M) fix
894	75'	3/8" NPT (M) swivel x 3/8" NPT (M) fix

HEAVY DUTY REINFORCED OIL HOSES

Heavy Duty reinforced hoses for use with lubricants. For hose reel replacement hoses, please refer to the corresponding hose reel manual.

1/2" ID WITH MAXIMUM PRESSURE RATING OF 2000 PSI (140 BAR)

PART No.	LENGTH	FITTINGS
845	2.5'	1/2" NPT (M) swivel x 1/2" NPT (M) fix
846	5'	1/2" NPT (M) swivel x 1/2" NPT (M) fix
847	10'	1/2" NPT (M) swivel x 1/2" NPT (M) fix
848	15'	1/2" NPT (M) swivel x 1/2" NPT (M) fix
849	20'	1/2" NPT (M) swivel x 1/2" NPT (M) fix
850	25'	1/2" NPT (M) swivel x 1/2" NPT (M) fix
851	30'	1/2" NPT (M) swivel x 1/2" NPT (M) fix
853	40'	1/2" NPT (M) swivel x 1/2" NPT (M) fix
854	50'	1/2" NPT (M) swivel x 1/2" NPT (M) fix
855	60'	1/2" NPT (M) swivel x 1/2" NPT (M) fix
856	75'	1/2" NPT (M) swivel x 1/2" NPT (M) fix
854 100	100'	1/2" NPT (M) swivel x 1/2" NPT (M) fix

3/4" ID WITH A MAXIMUM PRESSURE RATING OF 1,250 PSI (85 BAR)

PART No.	LENGTH	FITTINGS
860	2.5'	3/4" NPT (M) swivel x 3/4" NPT (M) fix
857	5'	3/4" NPT (M) swivel x 3/4" NPT (M) fix
858	10'	3/4" NPT (M) swivel x 3/4" NPT (M) fix
861	20'	3/4" NPT (M) swivel x 3/4" NPT (M) fix
859	50'	3/4" NPT (M) swivel x 3/4" NPT (M) fix

1" ID WITH A MAXIMUM PRESSURE RATING OF 300 PSI (20 BAR)

PART No.	LENGTH	FITTINGS
863	5'	1" NPT (M) swivel x 1" NPT (M) fix
863 451	50'	1" NPT (M) swivel x 1" NPT (M) fix

FABRIC REINFORCED AIR AND WATER HOSES

Fabric reinforced hoses for use with low pressure air and water. For hose reel replacement hoses, please refer to the corresponding hose reel manual.

1/4" ID WITH MAXIMUM PRESSURE RATING OF 300 PSI (20 BAR)

PART No.	LENGTH	FITTINGS
801	2.5'	1/4" NPT (M) swivel x 1/4" NPT (M) fix
802	5'	1/4" NPT (M) swivel x 1/4" NPT (M) fix
803	10'	1/4" NPT (M) swivel x 1/4" NPT (M) fix
805	25'	1/4" NPT (M) swivel x 1/4" NPT (M) fix
806	30'	1/2" NPT (M) swivel x 1/4" NPT (M) fix
808	40'	1/2" NPT (M) swivel x 1/4" NPT (M) fix
809	50'	1/2" NPT (M) swivel x 1/4" NPT (M) fix

3/8" ID WITH MAXIMUM PRESSURE RATING OF 300 PSI (20 BAR)

PART No.	LENGTH	FITTINGS
812	2.5'	3/8" NPT (M) swivel x 3/8" NPT (M) fix
813	5'	3/8" NPT (M) swivel x 3/8" NPT (M) fix
814	10'	3/8" NPT (M) swivel x 3/8" NPT (M) fix
815	15'	3/8" NPT (M) swivel x 3/8" NPT (M) fix
816	25'	3/8" NPT (M) swivel x 3/8" NPT (M) fix
817	30'	1/2" NPT (M) swivel x 3/8" NPT (M) fix
818	40'	1/2" NPT (M) swivel x 3/8" NPT (M) fix
819	50'	1/2" NPT (M) swivel x 3/8" NPT (M) fix
820	60'	1/2" NPT (M) swivel x 3/8" NPT (M) fix

1/2" ID WITH MAXIMUM PRESSURE RATING OF 300 PSI (20 BAR)

PART No.	LENGTH	FITTINGS
822	2.5'	1/2" NPT (M) swivel x 1/2" NPT (M) fix
823	5'	1/2" NPT (M) swivel x 1/2" NPT (M) fix
824	10'	1/2" NPT (M) swivel x 1/2" NPT (M) fix
825	15'	1/2" NPT (M) swivel x 1/2" NPT (M) fix
827	20'	1/2" NPT (M) swivel x 1/2" NPT (M) fix
826	30'	1/2" NPT (M) swivel x 1/2" NPT (M) fix
828	40'	1/2" NPT (M) swivel x 1/2" NPT (M) fix
829	50'	1/2" NPT (M) swivel x 1/2" NPT (M) fix
830	60'	1/2" NPT (M) swivel x 1/2" NPT (M) fix
831	75'	1/2" NPT (M) swivel x 1/2" NPT (M) fix
829 100	100'	1/2" NPT (M) swivel x 1/2" NPT (M) fix

10
INSTALLATION
ACCESSORIES

FABRIC REINFORCED AIR AND WATER HOSES

Fabric reinforced hoses for use with low pressure air and water.
For hose reel replacement hoses, please refer to the corresponding hose reel manual.

3/4" ID HOSES WITH MAXIMUM PRESSURE RATING OF 250 PSI (18 BAR)

PART No.	LENGTH	FITTINGS
857 002	2.5'	3/4" NPT (M) swivel x 3/4" NPT (M) fix
857 405	5'	3/4" NPT (M) fix x 3/4" NPT (M) fix
832	8'	3/4" NPT (M) fix x 3/4" NPT (M) fix
832 050	50'	3/4" NPT (M) swivel x 3/4" NPT (M) fix

1" ID HOSES WITH MAXIMUM PRESSURE RATING OF 250 PSI (18 BAR)

PART No.	LENGTH	FITTINGS
863 002	2.5'	1" NPT (M) swivel x 1" NPT (M) fix
863 452	50'	1" NPT (M) fix x 1" NPT (M) fix

HOSE STOPS

For 506, 507, 1400 and 504 series hose reels, Bi-conical hose stops.

Part No. 2022

Fits 1/4" hoses.

Part No. 2024

Fits 3/8" hoses.

Part No. 2026

Fits 1/2" hoses.



For 505 Series hose reel, Bi-conical hose stops and U-bolt kit.

Part No. 528 002

Fits 1/2" hoses.

Part No. 528 004

Fits 3/8" hoses.

Part No. 528 003

Fits 3/4" hoses.



For 508 Series hose reels, Bi-conical hose stops and U-bolt kits.

Part No. 528 002

Fits 1/2" hoses.

Part No. 528 003

Fits 3/4" hoses.

Part No. 528 001

Fits 1" hose.



For 5085 Series hose reel, hose stop and U-bolt kit.

Part No. 528 083

Fits 1-1/2" hoses.